

# E2xL25F PA Loudspeaker 25W

The hazardous area E2xL25F PA loudspeaker is UL/cULs approved for Class I Div 2 and Class II Div 2 as well as IECEx and ATEX certified for Zone 2 and 22 applications.

The E2xL25F is available with either a 70V or 100V line transformer or as a low impedance loudspeaker.

The E2x range features enclosures manufactured from lightweight, corrosion proof GRP and high impact, fire retardant ABS re-entrant flare horns; both of which are suitable for the harshest of environments.

## Features

- Very large termination area.
- Ratchet adjustable stainless steel 'U' bracket.
- Transformer type fitted with thermal fuse
- Complies with BS5839 part 8

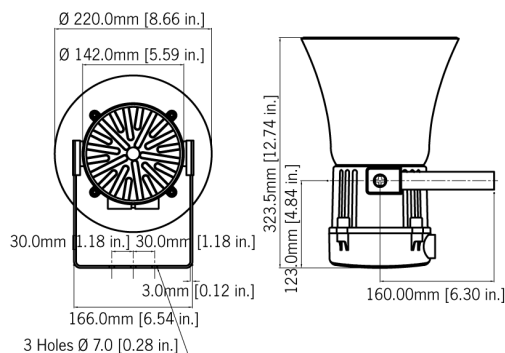
## Approvals

- ATEX certificate: DEMKO 06 ATEX 0421554X,
- IECEx certificate: IECEx ULD 14.0012X
- UL/cUL File ref: E230764
- UKCA certificate: UL21UKEX2135X
- CSFM listing: 7136-2279:0505
- Ex EAC certified: EAC RU C-GB.AA71.B.00273/20

## Coding

- IECEx / ATEX:
  - II 3G Ex ec IIC T4 Gc Ta -20°C to +55°C
  - II 3D Ex tc IIIC T85°C Dc Ta -20°C to +40°C
  - II 3D Ex tc IIIC T100°C Dc Ta -20°C to +55°C
- NEC Class / Zone ratings US:
  - Class I Zone 2 AEx ec IIC T2 Gc Ta -20°C to +55°C
  - Zone 22 AEx tc IIIC T85°C Dc Ta -20°C to +40°C
  - Zone 22 AEx tc IIIC T100°C Dc Ta -20°C to +55°C
- CEC Class / Zone ratings Canada
  - Class I Zone 2 Ex ec IIC T2 Gc X Ta -20°C to +55°C
  - Zone 22 Ex tc IIIC T85°C Dc Ta -20°C to +40°C
  - Zone 22 Ex tc IIIC T100°C Dc Ta -20°C to +55°C
- NEC & CEC Class / Division Ratings for US / Canada
  - Class I Div 2 Group ABCD T2C Ta -20°C to +55°C
  - Class I Div 2 Group ABCD T2D Ta -20°C to +40°C
  - Class II Div 2 Group FG T5 Ta -20°C to +55°C
  - Class II Div 2 Group FG T6 Ta -20°C to +40°C
  - Class III Div 1 & 2 Ta -20°C to +55°C





## Specification

SPL: 111dB +/-3dB @ 1w @ 1m (Pink)  
124dB +/-3dB @ 25w @ 1m (Rated)

Rated power: 25 Watts RMS

70v line tapings: 25w / 12.5w / 6w / 2w tapings  
(z=196 Ohms / 392 Ohms /  
816.67 Ohms / 2.45k Ohms)

100v line tapings: 25w / 12.5w / 6w / 2w tapings  
(z=400 Ohms / 800 Ohms /  
1.67k Ohms / 5k Ohms)

Low impedance: 8 Ohm or 16 Ohm

Dispersion: 130° @ 1kHz & 32° @ 4kHz

Frequency range: 300Hz to 8000 Hz

DC Line monitoring: 2.2µF Capacitor  
(Transformer version)

Ingress protection: IP rating per EN60079-0:IP64  
IP rating per EN60529:IP66  
Type rating per UL50E/NEMA250:4/4X/13

Enclosure material: UL94V0 GRP (PPS) & ABS

Cable entries: Dual M20x1.5 or 1/2"NPT

Terminals: 0.5 - 2.5mm<sup>2</sup> (20-14 AWG)

Operating temp: -20 to +55°C [-4° to +131°F]

Storage temp: -40 to +70°C [-40° to +158°F]

Relative humidity: 90% at 20°C [68°F]

MTBF V100/V070: 630.69 years / 5,524,861 hours - MIL 217

MTBF R008/R016: 830.22 years / 7,272,727 hours - MIL 217

Weight: Low impedance: 2.75kg/6.05lbs  
Transformer: 3.25kg/7.15lbs

\*SPL data +/-3dB(A). Measured at optimum voltage.

## Part Codes

| Part Code:              | Ident.:                      | Description:   |
|-------------------------|------------------------------|--|
| Product type:           | E2XL25                       |  |
| Horn type:              | F                            | Flare Horn   |
| Type:                   | V100<br>V070<br>R008<br>R016 | 100V Line<br>70V Line<br>8 Ohm Low impedance<br>16 Ohm Low impedance   |
| Cable entries:          | A<br>B<br>C                  | M20x1.5 & ½" NPT<br>M20x1.5 & M20x1.5<br>½" NPT & ½" NPT   |
| Stopping plug material: | N                            | Nylon  |
| Bracket & tag: [s]      | 1<br>2<br>3<br>4             | 304 A2 Stainless Steel<br>316 A4 Stainless Steel<br>304 A2 Stainless Steel & Equip. Tag<br>316 A4 Stainless Steel & Equip. Tag |
| Approvals:              | A1                           | UL, cULs, IECEx & ATEX   |
| Enclosure:              | B                            | Black  |
| Accessories:            | SP65-0001-A4<br>SP65-0003-A4 | Pole Mount Bracket Kit St/St A4 (316)<br>Sunshade - St/St A4 (316)   |