

MCBX05X05 Dual Xenon Strobe Beacon

The MCBX05X05 is a dual 5 Joule Xenon strobe beacon featuring a robust, fire retardant, IP66 & IP67 Type 4/4X/13 enclosure; suitable for harsh environments. The two Xenon beacon circuits can be connected to operate from the same power source or individually.

The 1 Hz flash rate is automatically synchronised between the beacons or can be set to 'flip-flop' mode to create an alternate flash. The 'M' series of products have been designed to withstand the harshest of environments. Constructed from lightweight, impact and fire resistant ABS, the range features stainless steel, ratchet adjustable mounting brackets and has been third party tested to IP66/67.

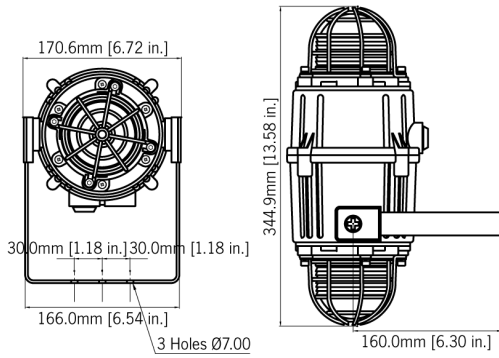
Features

- Ingress protection IP66/67 Type 4/4X/13
- Automatic synchronisation on multi-beacon systems
- Beacons can be set to flip-flop, alternating flash mode
- Xenon tubes mechanically secured against shock & vibration
- Glass lenses & 316 (A4) Stainless steel guard
- UV stable PC, field replaceable, colour lens filter
- Large termination area
- Dual M20 or 1/2"NPT cable entries - adaptors available
- Stopping plug included
- 316 (A4) Stainless steel mounting bracket
- Ratchet adjustable 'U' bracket for 360° positioning
- Duplicate cable terminations
- Reverse polarity diode fitted
- Continuously rated
- Xenon eff. Intensity: 120 cd per beacon
- Xenon peak candela light intensity: 39,463 cd per beacon

Approvals

- EAC compliant: RU D-GB.GA05.B.12595-20
- Russian Maritime Register of Shipping
Cert: No. 19.00193.278





Specification

| | |
|---------------------|---|
| Energy: | 2 × 5 Joules (5Ws) |
| Flash rate: | 1Hz (60 fpm) |
| Peak Candela: | 2 × 500,000 cd – calculated from energy (J) |
| Eff. Intensity cd: | 2 × 250 cd – calculated from energy (J) |
| Peak Candela: | 2 × 39,463 cd* – measured ref. to I.E.S. |
| Eff. Intensity cd: | 2 × 120 cd* – measured ref. to I.E.S. |
| Lens colours: | Amber, Blue, Clear, Green, Magenta, Red & Yellow |
| Voltages DC: | 12vdc; 24vdc; 48vdc |
| Voltages AC: | 115vac; 230vac |
| Ingress protection: | IP66/67 Type 4/4X/13 |
| Enclosure material: | High impact UL94 V0 & 5VA FR ABS |
| Enclosure colour: | Grey (RAL7038) or Red (RAL3000) |
| Dome material: | Borosilicate glass |
| Lens colour filter: | Field replaceable UV stable PC |
| Lens guard: | 316 (A4) Stainless steel |
| Cable entries: | 2 x M20; 1 x M20 & 1 x 1/2"NPT; 2 x 1/2"NPT supplied with blanking plug |
| Terminals: | 0.5 – 2.5mm ² (20-14 AWG) |
| Line monitoring: | Diode polarized for use in supervised circuits |
| Operating temp: | -40 to +66°C [-40° to +151°F] |
| Storage temp: | -40 to +70°C [-40° to +158°F] |
| Relative humidity: | 95% at 20°C [68°F] |
| Weight: | 4.84kg/10.67lbs |

*Candela measurements representative of performance with clear lens at optimum voltage

Part Codes

| Variable: | Identifier: | Description: |
|-----------------------------|---|---|
| Product type: | MCBX05X05 | Dual Xenon Strobe Beacon |
| Voltage: | AC115 AC230 DC012 DC024 DC048 | 115V ac 50/60Hz 230V ac 50/60Hz 12V dc (10-14V dc) 24V dc (20-28Vdc) 48V dc (42-54V dc) |
| Cable entries: [e] | A B C | M20x1.5 & ½" NPT M20x1.5 & M20x1.5 (Default) ½" NPT & ½" NPT |
| Stopping plug material: [m] | N | Nylon |
| Bracket & Guard: [s] | 1 3 | 316 (A4) Stainless Steel 316 (A4) Stainless Steel with Equipment tag |
| Version: [v] | A1 | CE, EAC & Russian Maritime |
| Enclosure: [x] | G R | Grey (RAL7038) Red (RAL3000) |
| Lens colour 1: [y] | A, B, C G, M, R, Y | Amber, Blue, Clear Green, Magenta, Red, Yellow |
| Lens colour 2: [y] | A, B, C G, M, R, Y | Amber, Blue, Clear Green, Magenta, Red, Yellow |
| Accessories: | SP65-0001-A4 SP65-0003-A4 | Pole Mount Bracket Kit 2" St/St 316 (A4) Sunshade – St/St 316 (A4) |

Current Consumption

| Product Version: | Nominal Voltage: | Voltage Range: | Current per beacon: |
|------------------|------------------|----------------|---------------------|
| DC012 | 12V dc | 10-14V dc | 750mA |
| DC024 | 24V dc | 20-28V dc | 270mA |
| DC048 | 48Vdc | 42-54V dc | 180mA |
| AC115 | 115Vac | ±10% 50/60Hz | 140mA |
| AC230 | 230V ac | ±10% 50/60Hz | 55mA |