

# A105NSONTEL Telephone Initiated Alarm Sounder

The A105NSONTEL is a compact, high output, 105dB(A) telephone initiated alarm sounder.

The line powered A105NSONTEL has a choice of three alarm tone frequencies.

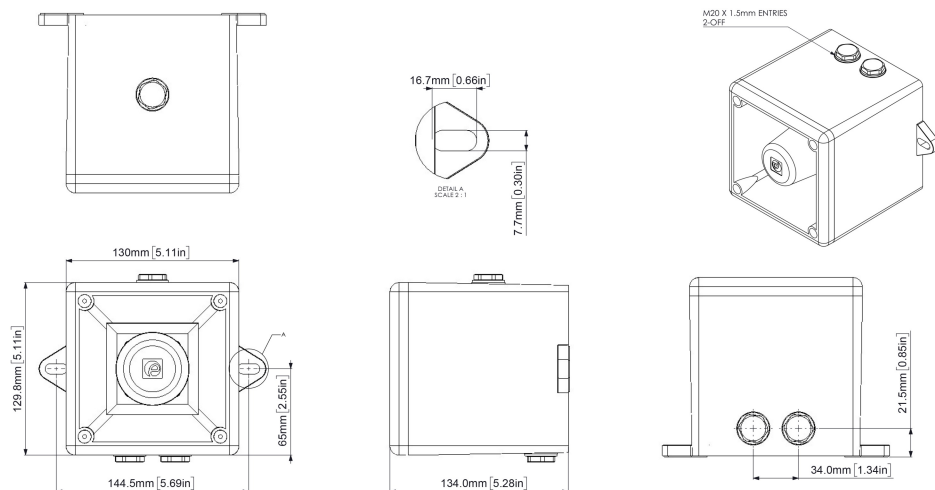
## Features

- Continuously rated
- Stainless steel fixings
- Unit can be mounted using external lugs or internal fixing positions
- Dual M20x1.5mm threaded cable entries

## Approvals

- CE
- UKCA
- EAC: CU TR 04/2011 CU TR 20/2011
- Russian Maritime Register of Shipping





## Specification

Nominal output:	105dB(A) @ 1m +/- 3dB [96dB(A) @ 10ft/3m]
No. of tones:	3
Volume control:	Max. 105dB(A); Min. 96dB(A)
Effective range:	60m/197ft @ 1KHz
Supply:	Direct power from telephone line (REN 1)
Ingress protection:	IP66
Enclosure material:	High impact UL94 V0 & 5VA FR ABS
Colour:	Red (RAL3000), grey (RAL7038) & white.
Cable entries:	3 x M20 clearance gland knockouts in side & back
Terminals:	0.5 to 2.5mm <sup>2</sup> cables.
Operating temp:	-40 to +66°C [-40° to +151°F]
Storage temp:	-40 to +70°C [-40° to +158°F]
Relative humidity:	90% at 20°C [68°F]
Weight:	0.75kg/1.65lbs

## Part Codes

Variable:	Identifier:	Description:
Product type:	A105NSONTEL	Telephone Initiated Alarm Horn Sounder
Back box/cable entries: [e]	A	Back box with mounting lugs – 2 x M20x1.5mm entries
Stopping plug material: [m]	A	ABS
Equip. tag/Duty label: [s]	0	No equip. tag or Duty label
	1	316 (A4) St/St Equip. tag/Duty label
	2	Metalised Polyester Equip. tag/Duty label
Product version: [v]	A	RMRS, EAC, CE, UKCA
Product option: [o]	1	Standard product
	X	Custom configuration – contact E2S
	T	Conformal coated – tropicalised
Enclosure: [x]	R	Red (RAL 3000)
	G	Grey (RAL 7038)