

A105NAX Appello X

The A105NAX Appello X is the next generation of user recordable alarm sounder capable of storing up to 2 minutes of content.

The A105NAX records, stores and plays back with unsurpassed clarity, user defined voice messages, music or sounds stored directly to non-volatile memory. Low current consumption and CD quality reproduction in a robust fire retardant Type 4/4X/3R/13, IP66 housing ensure the A105NAX Appello X is suitable for all general signalling applications including fire, security and process control.

Features

The A105NAX Appello user recordable unit enables the recording of any type of content such as voice or music that can be played back at CD quality output at SPL's of up to 102dB(A) at 1 metre. This content can be reproduced repeatedly, alternating with or without one of the built-in 45 alarm tones. The alarm tone notification has an output of up to 110dB(A) at 1 metre.

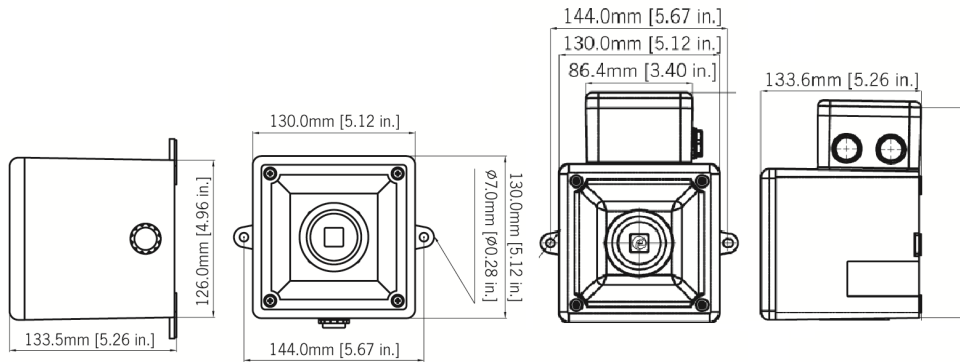
For multiple unit installations the recording process is only required once to create a master unit which can then be used to program all other A105NAX units on the system, guaranteeing synchronisation during playback, using the supplied 'Synch' cable.

- Direct content storage on non-volatile memory.
- CD quality reproduction.
- Message length: 4 × 30 seconds
- Easy message creation with built in microphone or line-in audio input.
- Volume controls for user content and alarm tones.
- Available with custom tone configurations and frequencies.
- 5J Xenon strobe beacon capable of 200cd*.
- Factory programming of user supplied content also available.
- UL approved for general signalling use.

Approvals

- UL & cULs approved: General signalling use
- EAC approved (GOST-R)





Specification

Voice content output:	101dB(A) @ 1 metre [92dB(A) @ 10ft/3m]
Music content output:	102dB(A) @ 1 metre [93dB(A) @ 10ft/3m]
Alarm tone output:	110dB(A) @ 1 metre [101dB(A) @ 10ft/3m]
No. of alarm tones:	45 (UKOOA/PFEER compliant)
No. of messages:	4 (30 seconds each)
Volume controls:	Independent controls for user recorded content and built-in alarm tones.
Effective range:	60m/197ft @ 1KHz
Voltages DC:	24vdc (10-30vdc)
Voltages AC:	90-260vac 50/60Hz
Ingress protection:	Type 4 / 4X / 3R / 13, IP66
Rating:	Continuous
Enclosure material:	UL94V0 & 5VA FR ABS
Enclosure colour:	RAL3000 Red, RAL7038 Grey or White
Fixings:	Stainless Steel
Cable entries:	2 x M20 clearance gland entries. Custom configurations also available.
Terminals:	0.5 to 2.5mm ²
Operating temp:	-25° to +55°C [-13° to +131°F]
Storage temp:	-40° to +70°C [-40° to +158°F]
Relative humidity:	90% at 20°C [68°F]
Weight:	DC: 0.80Kg/1.76lbs AC: 1.00kg/2.2lbs

Part Codes

Version:	Part code:
10-30V dc	A105NAXDC024[x]-UL
90-260V ac	A105NAXAC230[x]-UL

[x] = Enclosure colour:
G: Grey R: Red

Current Consumption

Version:	Voltage:	Current:
24V dc	10-30V dc	256mA*
230V ac	90-260V ac 50/60Hz	124mA*

* current at nominal voltage on Tone 1

Tone table

S 1	Description	S 2	S 3	S 4	S 1	Description	S 2	S 3	S 4
T 1	340 Hz Continuous	T 2	T 5	T 29	T 33	745Hz @ 1Hz Intermittent	T 2	T 5	T 29
T 2	800/1000Hz @ 0.25 sec Alternating	T 17	T 5	T 29	T 34	1000 & 2000Hz @ 0.5 sec Alternating - Singapore	T 38	T 45	T 29
T 3	500/1200Hz @ 0.3Hz 0.5 sec Slow Whoop	T 2	T 5	T 29	T 35	420Hz @ 0.625 sec Australian Alert	T 36	T 5	T 29
T 4	800/1000Hz @ 1Hz Sweeping	T 6	T 5	T 29	T 36	500-1200Hz 3.75sec /0.25sec. Australian Evac.	T 35	T 5	T 29
T 5	2400Hz Continuous	T 3	T 20	T 29	T 37	1000Hz Continuous - PFEER Toxic Gas	T 9	T 45	T 29
T 6	2400/2900Hz @ 7Hz Sweeping	T 7	T 5	T 29	T 38	2000Hz Continuous	T 34	T 45	T 29
T 7	2400/2900Hz @ 1Hz Sweeping	T 10	T 5	T 29	T 39	800Hz 0.25sec on, 1 sec off Intermittent	T 23	T 17	T 29
T 8	500/1200/500Hz @ 0.3Hz Sweeping	T 2	T 5	T 29	T 40	544Hz (100mS)/440Hz (400mS) - NF S 32-001	T 31	T 27	T 29
T 9	1200/500Hz @ 1Hz - DIN / PFEER P.T.A.P.	T 15	T 2	T 29	T 41	Motor Siren - slow rise to 1200 Hz	T 2	T 5	T 29
T 10	2400/2900Hz @ 2Hz Alternating	T 7	T 5	T 29	T 42	Motor Siren - slow rise to 800 Hz	T 2	T 5	T 29
T 11	1000Hz @ 1Hz Intermittent	T 2	T 5	T 29	T 43	1200 Hz Continuous	T 2	T 5	T 29
T 12	800/1000Hz @ 0.875Hz Alternating	T 4	T 5	T 29	T 44	Motor Siren - slow rise to 2400 Hz	T 2	T 5	T 29
T 13	2400Hz @ 1Hz Intermittent	T 15	T 5	T 29	T 45	1KHz 1s on, 1s off Intermittent - PFEER Gen. ...	T 38	T 34	T 29
T 14	800Hz 0.25sec on, 1 sec off Intermittent	T 4	T 5	T 29					
T 15	800Hz Continuous	T 2	T 5	T 29					
T 16	660Hz 150mS on, 150mS off Intermittent	T 18	T 5	T 29					
T 17	544Hz (100mS)/440Hz (400mS) - NF S 32-001	T 2	T 27	T 29					
T 18	660Hz 1.8sec on, 1.8sec off Intermittent	T 2	T 5	T 29					
T 19	1.4KHz-1.6KHz 1s, 1.6KHz-1.4KHz 0.5s -NFC48-265	T 2	T 5	T 29					
T 20	660Hz Continuous	T 2	T 5	T 29					
T 21	554Hz/440Hz @ 1Hz Alternating	T 2	T 5	T 29					
T 22	544Hz @ 0.875 sec. Intermittent	T 2	T 5	T 29					
T 23	800Hz @ 2Hz Intermittent	T 6	T 5	T 29					
T 24	800/1000Hz @ 50Hz Sweeping	T 29	T 5	T 29					
T 25	2400/2900Hz @ 50Hz Sweeping	T 29	T 5	T 29					
T 26	Bell	T 2	T 15	T 29					
T 27	554Hz Continuous	T 26	T 5	T 29					
T 28	440Hz Continuous	T 2	T 5	T 29					
T 29	800/1000Hz @ 7Hz Sweeping	T 7	T 5	T 29					
T 30	300Hz Continuous	T 2	T 5	T 29					
T 31	660/1200Hz @ 1Hz Sweeping	T 26	T 5	T 29					
T 32	Two T chime.	T 26	T 15	T 29					