

# H100BX Signal Horn & Xenon Strobe Beacon

Rated for continuous use the H100 series is a compact, high output signal suitable for a variety of installations. In addition to the 'buzzer' type sound the unit features a further two alarm sounds.

The H100BX incorporates the H100B with a 1J Xenon strobe beacon. It is available in six lens colours and operating voltages from 12V dc to 230V ac.

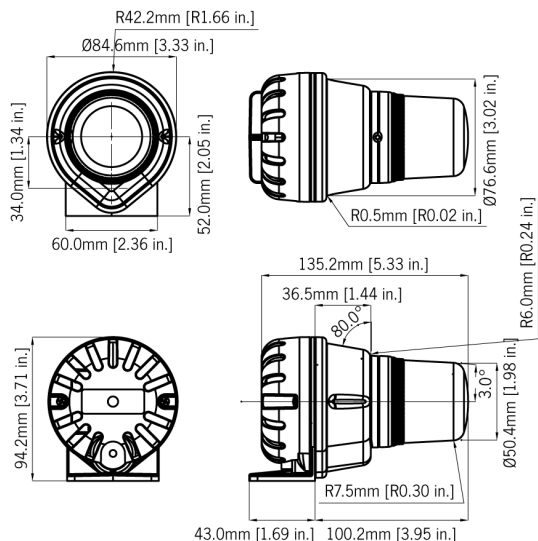
## Features

- Volume control.
- Stainless steel fixings.
- Bayonet fixing lens.
- Anti-tamper locking screw.

## Approvals

- GOST-R approved: POCC GB-JB05-H00144.





## Specification

<b>Horn:</b>		
No. of tones:	3	
Output:	100 dB(A) @ 1m	
<b>Beacon:</b>		
Light source:	Xenon Strobe	
Energy:	1 Joule (1Ws)	
Flash frequency:	0.75 Hz	
Lens colours:	Amber, Blue, Clear, Green, Red & Yellow	
Lens type:	Prismatic (standard) or plain	
Peak Candela:	100,000 cd - calculated from energy (J)	
Effective Intensity cd:	50 cd - calculated from energy (J)	
Peak Candela:	59,155 cd* - measured ref. to I.E.S.	
Effective Intensity cd:	37 cd* - measured ref. to I.E.S.	
<b>General:</b>		
Dimensions:	135.2 × 94.2mm	
Mounting:	Surface mount	
Entries:	1 × 5-7mm push through grommet	
Ingress protection:	IP65	
Housing material:	High impact ABS (UL94V0 & 5VA)	
Lens material:	High impact PC (UL94V0 f1)	
Terminals:	0.5 to 1.5mm <sup>2</sup>	
Operating temp:	-25 to +50°C [-13 to +122°F]	-40 to +70°C [-40° to +158°F]
Storage temp:		
Relative humidity:	90% at 20°C [68°F]	
Weight:	188g/0.41lbs	
*SPL data +/-3dB(A). Measured at optimum voltage.		
*Candela measurements representative of performance with clear lens at optimum voltage.		

## Part Codes

<b>Version:</b>	<b>Part code:</b>
24V dc/ac	H100BX024G/*
115V ac	H100BX115G/*
230V ac	H100BX230G/*
* = Lens colour: A: Amber, B: Blue, C: Clear, G: Green, R: Red, Y: Yellow	

## Horn Current Consumption

Version:	Voltage:	Current:
24V dc/ac	24V dc	10mA
24V dc/ac	24V ac 50/60Hz	24mA
115V ac	115V ac 50/60Hz	19mA
230V ac	230V ac 50/60Hz	10mA

## Beacon Current Consumption

Version:	Voltage:	Current:
24V dc/ac	24V dc	82mA
24V dc/ac	24V ac 50/60Hz	145mA
115V ac	115V ac 50/60Hz	30mA
230V ac	230V ac 50/60Hz	20mA

## Tone table

### S 1 Description

T 1	800/1000Hz @ 7Hz Sweeping
T 2	Simulated buzzer sound
T 3	1200/500Hz @ 1Hz - DIN / PFEER P.T.A.P.