

# H110TR Trumpet Horn & Rotating Beacon

The H110T is a very high output electronic signal horn capable of generating a traditional 'buzzer' warning tone traditionally associated with electro-mechanical signals.

The H110TR incorporates the H110T with a halogen rotating beacon. It is available in six lens colours and operating voltages from 12V dc to 230V ac.

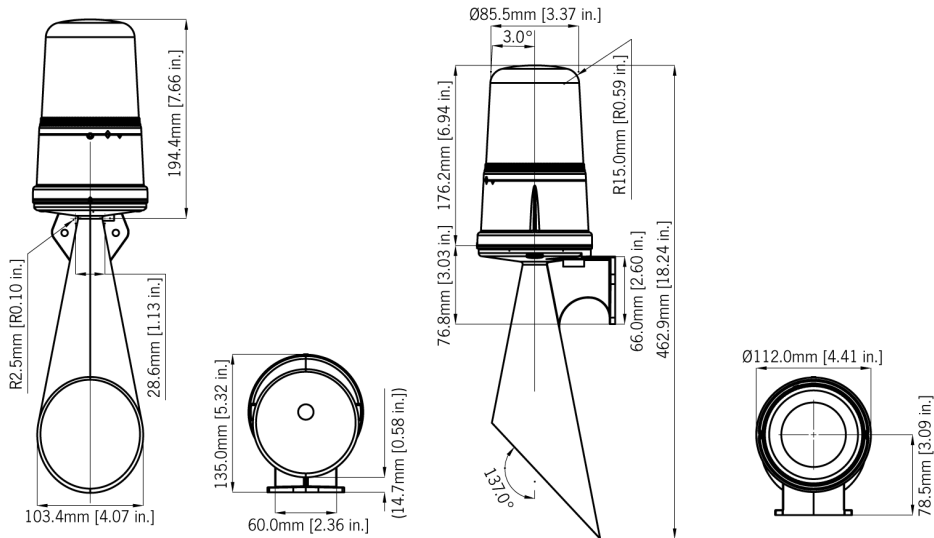
## Features

- Volume control.
- Stainless steel fixings.
- Bayonet fixing lens.
- Anti-tamper locking screw.

## Approvals

- GOST-R approved: POCC GB-JB05-H00144.





## Specification

<b>Horn:</b>	
No. of tones:	3
Output:	110 dB(A) @ 1m [101dB(A) @ 10ft/3m]
Stages:	Remotely selectable second stage
Stage switching:	DC voltage via negative AC voltage via live supply
<b>Beacon:</b>	
Light source:	Halogen Lamp G6,35/GY6,35
Light output:	20/25W
Peak Candela:	821 cd
Candela:	125 cd* (peak/effective intensity)
Rotation speed:	180RPM (+/-30RPM)
Drive life:	>5,000 hrs
Duty cycle:	100%
Lens colours:	Amber, Blue, Clear, Green, Red & Yellow
Lens type:	Plain
<b>General:</b>	
Dimensions:	462.9 × 135mm
Mounting:	Surface mount
Entries:	1 × 5-7mm push through grommet
Ingress protection:	IP65
Housing material:	High impact ABS (UL94V0 & 5VA)
Lens material:	High impact PC (UL94V0 f1)
Terminals:	0.5 to 1.5mm <sup>2</sup>
Operating temp:	-25 to +50°C [-13° to +122°F]
Storage temp:	-40 to +70°C [-40° to +158°F]
Relative humidity:	90% at 20°C [68°F]
Weight:	678g/1.49lbs
SPL data +/-3dB(A). Measured at optimum voltage.	
*Candela measurements representative of performance with clear lens at optimum voltage.	

## Part Codes

Version:	Wattage:	Part code:
12V dc	20W	H 110TR012G/*
24V dc	20W	H 110TR024G/*
115V ac	25W	H 110TR115G/*
230V ac	25W	H 110TR230G/*

\* = Lens colour: A: Amber, B: Blue, C: Clear, G: Green, R: Red, Y: Yellow

## Horn Current Consumption

Version:	Voltage:	Current:
12V dc	12V dc	52mA
24V dc	24V dc	105mA
115V ac	115V ac 50/60Hz	36mA
230V ac	230V ac 50/60Hz	18mA

## Beacon Current Consumption

Version:	Voltage:	Current:
12V dc	12V dc	1.72A
24V dc	24V dc	910mA
115V ac	115V ac 50/60Hz	216mA
230V ac	230V ac 50/60Hz	117mA

## Tone table

S 1	Description	S 2
T 1	Electro-mechanical diaphragm horn sound	T 2
T 2	1200/500Hz @ 1Hz - DIN / PFEER P.T.A.P.	T 1
T 3	800/1000Hz @ 7Hz Sweeping	T 2