

# AL105NAXX Appello X Recordable Sounder & Xenon Beacon

The AL105NAXX Appello X is the next generation of user recordable alarm sounder, capable of storing up to 2 minutes of content, combined with a Xenon strobe. The AL105NAXX records, stores and plays back with unsurpassed clarity, user defined voice messages, music or sounds stored directly to non-volatile memory.

Low current consumption and CD quality reproduction in a robust fire retardant Type 4/4X/3R/13, IP66 housing ensure the AL105NAXX Appello X is suitable for all general signalling applications including fire, security and process control.

## Features

The AL105NAXX Appello user recordable unit enables the recording of any type of content such as voice or music that can be played back at CD quality output at SPL's of up to 102dB(A) at 1 metre. This content can be reproduced repeatedly, alternating with or without one of the built-in 45 alarm tones. The alarm tone notification has an output of up to 110dB(A) at 1 metre.

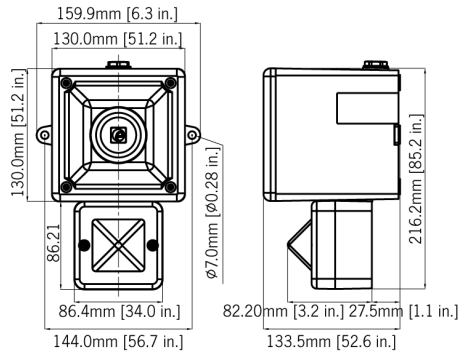
For multiple unit installations the recording process is only required once to create a master unit which can then be used to program all other AL105NAXX units on the system, guaranteeing synchronisation during playback, using the supplied 'Synch' cable.

- Direct content storage on non-volatile memory.
- CD quality reproduction.
- Message length: 4 × 30 seconds
- Easy message creation with built in microphone or line-in audio input.
- Volume controls for user content and alarm tones.
- Available with custom tone configurations and frequencies.
- 5J Xenon strobe beacon capable of 200cd\*.
- Factory programming of user supplied content also available.
- UL approved for general signalling use.

## Approvals

- UL & cULs approved: General signalling use
- EAC approved (GOST-R)





## Specification

<b>Alarm sounder:</b>	
Voice output:	101dB(A) @ 1 metre
Music output:	102dB(A) @ 1 metre
Alarm output:	110dB(A) @ 1 metre
Alarm tones:	x 45 (UK00A/PFEER compliant)
Messages:	x 4 (30 seconds each)
Controls:	Independent volume controls for user content and alarm tones
Effective range:	60m/197ft @ 1KHz
<b>Xenon beacon:</b>	
Energy:	5 Joules (5Ws)
Flash rate:	1Hz (60 fpm)
Peak Candela:	86,935 cd
Candela:	200 cd* (effective intensity)
<b>General:</b>	
Ingress protection:	Type 4 / 4X / 3R / 13, IP66
Rating:	Continuous
Housing material:	UL94V0 & 5VA FR ABS
Housing colour:	RAL3000 Red, RAL7038 Grey and White
Fixings:	Stainless Steel
Cable entries:	2 x M20 clearance gland entries. Custom configurations also available.
Terminals:	0.5 to 2.5mm <sup>2</sup>
Operating temp:	-25° to +55°C [-13° to +131°F]
Storage temp:	-40° to +70°C [-40° to +158°F]
Relative humidity:	90% at 20°C [68°F]
Weight:	DC: 1.00kg/2.2lbs AC: 1.20kg/2.64lbs
*Candela measurements representative of performance with clear lens at optimum voltage.	
*SPL data +/-3dB(A). Measured at optimum voltage.	

## Part Codes

Version:	Voltage:	Part code:
Alarm Xenon	12V dc	AL105NAXXDC012[x]/[y]-UL
Alarm+Xenon	24V dc	AL105NAXXDC024[x]/[y]-UL
Alarm+Xenon	115V ac	AL105NAXXAC115[x]/[y]-UL
Alarm+Xenon	230V ac	AL105NAXXAC230[x]/[y]-UL
[x] = Housing colour:	G: Grey R: Red	
[y] = Xenon Lens colour:	A: Amber, B: Blue, C: Clear, G: Green, M: Magenta, R: Red, Y: Yellow	

## Current Consumption

Version:	Voltage:	Range:	Current:
Alarm+Xenon	12V dc	10-14V dc	756mA*
Alarm+Xenon	24V dc	20-28V dc	506mA*
Alarm+Xenon	115V ac 50/60Hz	+/-10%	212mA*
Alarm+Xenon	230V ac 50/60Hz	+/-10%	174mA*

\* current at nominal voltage on Tone 1

## Tone table

<b>S 1</b>	<b>Description</b>	<b>S 2</b>	<b>S 3</b>	<b>S 4</b>	<b>S 1</b>	<b>Description</b>	<b>S 2</b>	<b>S 3</b>	<b>S 4</b>
T 1	340 Hz Continuous	T 2	T 5	T 29	T 33	745Hz @ 1Hz Intermittent	T 2	T 5	T 29
T 2	800/1000Hz @ 0.25 sec Alternating	T 17	T 5	T 29	T 34	1000 & 2000Hz @ 0.5 sec Alternating - Singapore	T 38	T 45	T 29
T 3	500/1200Hz @ 0.3Hz 0.5 sec Slow Whoop	T 2	T 5	T 29	T 35	420Hz @ 0.625 sec Australian Alert	T 36	T 5	T 29
T 4	800/1000Hz @ 1Hz Sweeping	T 6	T 5	T 29	T 36	500-1200Hz 3.75sec /0.25sec. Australian Evac.	T 35	T 5	T 29
T 5	2400Hz Continuous	T 3	T 20	T 29	T 37	1000Hz Continuous - PFEER Toxic Gas	T 9	T 45	T 29
T 6	2400/2900Hz @ 7Hz Sweeping	T 7	T 5	T 29	T 38	2000Hz Continuous	T 34	T 45	T 29
T 7	2400/2900Hz @ 1Hz Sweeping	T 10	T 5	T 29	T 39	800Hz 0.25sec on, 1 sec off Intermittent	T 23	T 17	T 29
T 8	500/1200/500Hz @ 0.3Hz Sweeping	T 2	T 5	T 29	T 40	544Hz (100mS)/440Hz (400mS) - NF S 32-001	T 31	T 27	T 29
T 9	1200/500Hz @ 1Hz - DIN / PFEER P.T.A.P.	T 15	T 2	T 29	T 41	Motor Siren - slow rise to 1200 Hz	T 2	T 5	T 29
T 10	2400/2900Hz @ 2Hz Alternating	T 7	T 5	T 29	T 42	Motor Siren - slow rise to 800 Hz	T 2	T 5	T 29
T 11	1000Hz @ 1Hz Intermittent	T 2	T 5	T 29	T 43	1200 Hz Continuous	T 2	T 5	T 29
T 12	800/1000Hz @ 0.875Hz Alternating	T 4	T 5	T 29	T 44	Motor Siren - slow rise to 2400 Hz	T 2	T 5	T 29
T 13	2400Hz @ 1Hz Intermittent	T 15	T 5	T 29	T 45	1KHz 1s on, 1s off Intermittent - PFEER Gen. ...	T 38	T 34	T 29
T 14	800Hz 0.25sec on, 1 sec off Intermittent	T 4	T 5	T 29					
T 15	800Hz Continuous	T 2	T 5	T 29					
T 16	660Hz 150mS on, 150mS off Intermittent	T 18	T 5	T 29					
T 17	544Hz (100mS)/440Hz (400mS) - NF S 32-001	T 2	T 27	T 29					
T 18	660Hz 1.8sec on, 1.8sec off Intermittent	T 2	T 5	T 29					
T 19	1.4KHz-1.6KHz 1s, 1.6KHz-1.4KHz 0.5s -NFC48-265	T 2	T 5	T 29					
T 20	660Hz Continuous	T 2	T 5	T 29					
T 21	554Hz/440Hz @ 1Hz Alternating	T 2	T 5	T 29					
T 22	544Hz @ 0.875 sec. Intermittent	T 2	T 5	T 29					
T 23	800Hz @ 2Hz Intermittent	T 6	T 5	T 29					
T 24	800/1000Hz @ 50Hz Sweeping	T 29	T 5	T 29					
T 25	2400/2900Hz @ 50Hz Sweeping	T 29	T 5	T 29					
T 26	Bell	T 2	T 15	T 29					
T 27	554Hz Continuous	T 26	T 5	T 29					
T 28	440Hz Continuous	T 2	T 5	T 29					
T 29	800/1000Hz @ 7Hz Sweeping	T 7	T 5	T 29					
T 30	300Hz Continuous	T 2	T 5	T 29					
T 31	660/1200Hz @ 1Hz Sweeping	T 26	T 5	T 29					
T 32	Two T chime.	T 26	T 15	T 29					