

STExCP8-BG Break Glass Call Point

The **explosion proof STExCP8-BG break glass manual call point, with a 316L stainless steel enclosure**, is designed for the harshest of environments. **Approved for Zone 1, 2 & Class I Div 2 hazardous areas for fire and gas alarm systems, ESD and process control.**

Available with standard DIN rail terminals or the innovative E2S termination board providing dedicated connections for field installed EOL and/or series devices. The break glass element features a safety membrane and is designed to snap ensuring the no glass fragments are released during activation. A hammer is available as an accessory if required by local code. SIL 2 compliant to IEC 61508 (2010). DNV type approved for exposed locations.

Features

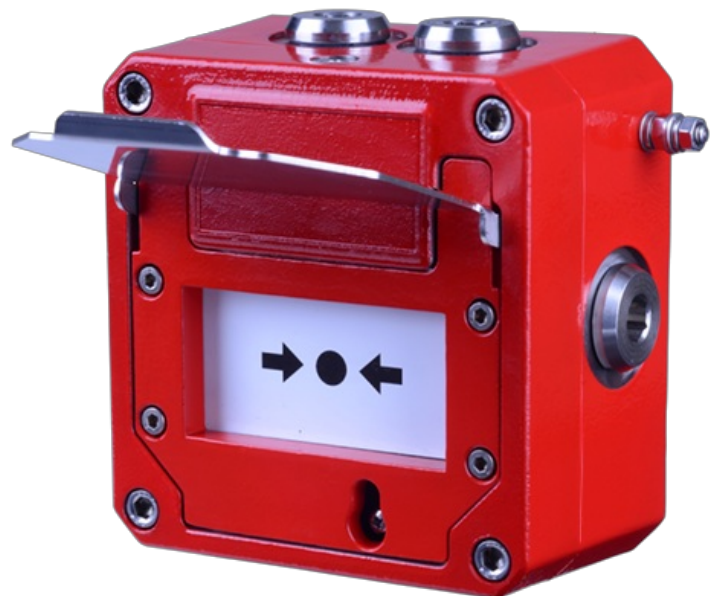
- Robust corrosion proof 316L stainless steel enclosure
- Epoxy powder coat paint finish
- Alternative housing colours available
- Ingress protection IP66/67
- Single or double switch
- Optional equipment tags and duty labels
- Optional stainless steel lift flap
- 2 x 316 Stainless steel stopping plugs included
- 3 x M20 cable entries
- Test key facility
- Break glass hammer accessory available
- DNV type approved IEC 60945 & DNVGL-CG-0339
- Available with addressable modules
- Optional LED indicator

Approvals

- UL/cUL certificate: UL-US2400489-1
- IECEx certificate: IECEx ULD 15.0018X
- ATEX certificate: DEMKO 15 ATEX 1589X
- UKCA certificate: UL21UKEX2133X
- TR-CU Ex EAC certificate: RU C-GB.HA65.B.01254_21
- PESO CCOE certified: P471509
- INMETRO IEx 20.0051X
- SIL 2 compliant to IEC 61508 (2010)

Coding

- NEC Class / Zone
Class I Zone 1 AEx db IIC T6 Gb Ta -55°C to +60°C
 - CEC Class / Zone
Ex db IIC T6 Gb Ta -55°C to +60°C
 - NEC / CEC Class / Div
Class I Div 2 Group ABCD T6 Ta -55°C to +60°C
 - IECEx / ATEX
II 2G Ex db IIC T6 Gb Ta. -55°C to +70°C (Single switch)
II 2G Ex db IIC T5 Gb Ta. -55°C to +70°C (Dual switch)
II 2G Ex db IIC T6 Gb Ta. -55°C to +60°C (Dual switch)
- Note: See manual for full coding for all product options

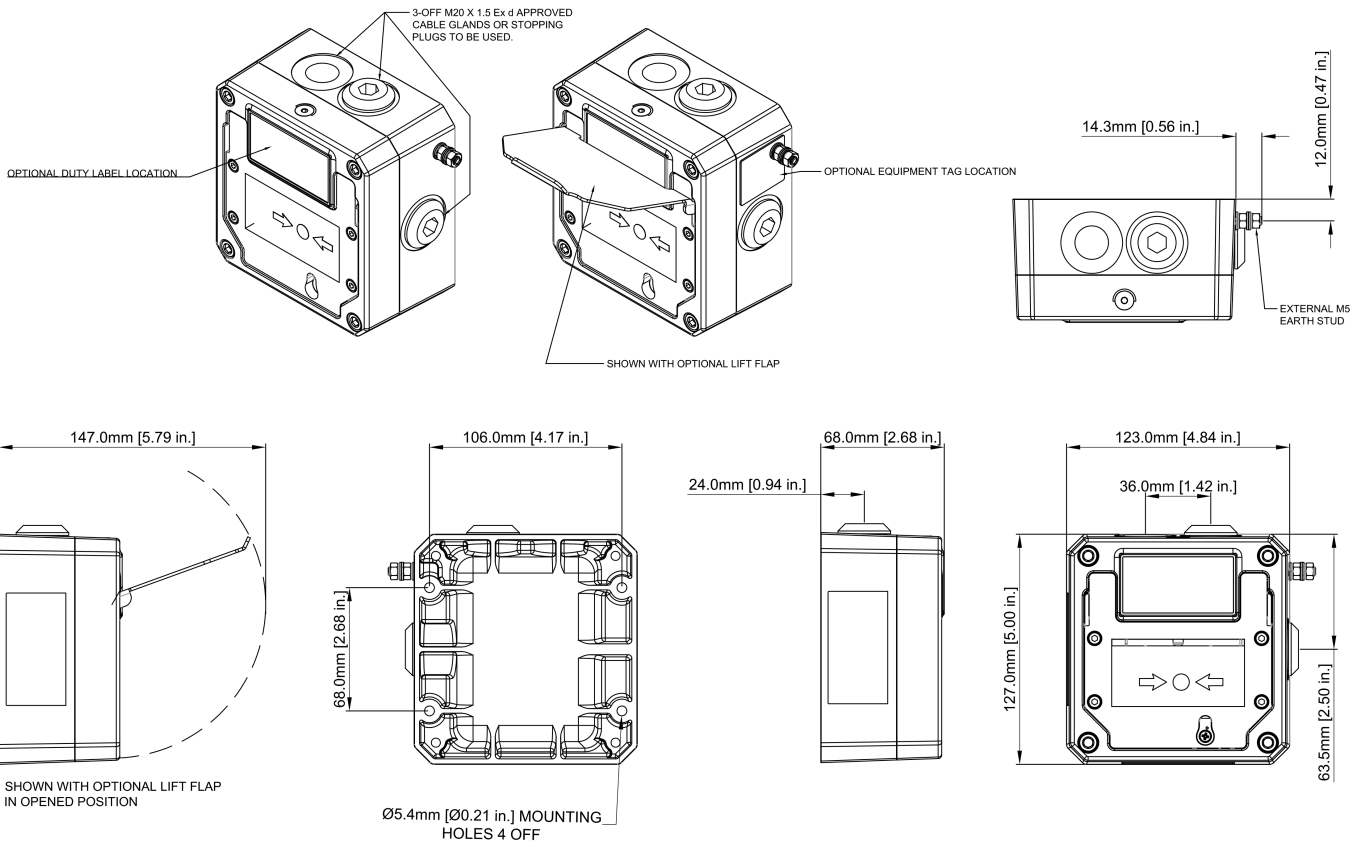


Specification

STExCP8-BG	Version: Break Glass Manual Call Point	
Switch:	Sealed - IP67	
Ingress protection:	EN/IEC 60529 - IP66/67/68	
Enclosure matl:	316L Stainless Steel	
Colour:	RAL3000 Red (others available on request)	
Cable entries:	2 x M20x1.5 top and 1 x M20x1.5 side. Can be rotated to provide 2 x bottom and 1 x side entries	
Stopping plugs:	2 x 316 Stainless Steel plugs as standard Brass and Nickel plated plugs optional	
Terminals:	DIN rail 8 x 2.5mm ² SAK2.5 or Termination board featuring 6 x 2.5mm ² terminals plus 4 x dedicated EOL & Series terminals	
Earth:	External M5 earth connection	
Relative Humidity:	R.H. 95% @ 20°C	
Test:	Test key facility	
MTBF:	479.6 years / 4,201,680 hours I- MIL 217	
Weight:	4.2Kg/9.26lbs	
Voltage Range:	Max input Current:	Limitations for EOL / Series Resistors:
250Vac Max	5.0A max	not permitted
48Vdc Max	1.0A max	min. 2.2kOhm
24Vdc Max	3.0A max	min. 470 Ohm
EOL and Series Diode Values:		
xxx:	Zener Value	Max. current supply permitted
3V3	3.3V Diode	230mA
4V7	4.7V Diode	162mA
5V1	5.1V Diode	149mA
5V6	5.6V Diode	136mA
6V2	6.2V Diode	122mA
6V8	6.8V Diode	112mA
10V	10V Diode	76mA
12V	12V Diode	63mA
Spares:		
SP70-0001	Replacement break glass elements (Pack of 50)	
SP70-0040	STxCP8-BG Test Key	
Accessories:		
SP65-0001-A4	Pole Mount Bracket Kit St/St A4 (316)	
SP65-0002-A4	Sunshade - St/St A4 (316)	
SP70-0065	Break glass hammer with chain	

Part Codes

Version:	Part reference:	Description:
Product type:	STExCP8BG	Break Glass Manual Call Point
Switch type: [s]	S D	SPCO/SPDT DPCO/DPDT
Terminals: [t]	D X P	DIN Rail 8 x SAK2.5 Addressable module - select below Termination board: 6 x 2.5mm ² terminals plus 4 x EOL & Series terminals
Lift flap: [l]	L N	Lift flap No lift flap
Cable entries: [e]	A B C D E F G	3 x M20x1.5mm 2 x 1/2" NPT - adaptors 2 x 3/4" NPT - adaptors 2 x M25x1.5mm - adaptors 1 x 1/2" NPT - adaptor 1 x 3/4" NPT - adaptor 1 x M25x1.5mm - adaptor
Stopping plug/ adaptor material: [m]	S	Stainless Steel
Duty label/Equipment tag: [d]:	1 2 3 4 5 6 7	No Duty label, no Equip. tag Duty label Stainless Steel Duty label St/St + Equip. tag Duty label Metalised Polyester Duty label M. Poly. + Equip. tag Equip. tag only Special label requirement
Product version: [v]	A H Z M C P E S D L	UL, IECEX, ATEX, DNV, Ex EAC, INMETRO, PESO Honeywell TC809B1008 module IECEX, ATEX Ziton A45E-2 module IECEX, ATEX Johnson Controls MIM800 module IECEX, ATEX Hochiki CHQ-CP2 monitor IECEX, ATEX Apollo XP95 mini module IECEX, ATEX Consilium IC10 module IECEX, ATEX Siemens XTRI-M module IECEX, ATEX Securiton SDI 82X-I module IECEX, ATEX Simplex 4090-9051 Supervised IAM IECEX, ATEX
Product option: [o]	1 W 2 Y P V Note:	Standard product Alternate EOL & series wiring Duplicated EOL and/or series devices Duplicated EOL and series - alternate wiring Parallel wiring with or without EOL/series Parallel with EOL and series alternate wiring Duplicated EOL/series and Parallel wiring only available with switch type 'D'
Enclosure colour: [x]	R B N Y V S K M Z	Red Blue Green Yellow Red/White Yellow/Black Black Magenta Red/Black
LED indicator: [u]	N L C	No LED required LED with 1.5K ballast resistor LED without ballast resistor
E.O.L.Module: [e] optional	ExxxR ED1 ExxxZ	Resistor value in Ohms e.g. E470R = 470 Ohm Diode IN4007 = ED1 Zener diode e.g. E5V1Z = 5.1V
Series Module: [s] optional	SxxxR SD1 SxxxZ	Resistor value in Ohms e.g. S1K5R = 1.5K Ohm Diode IN4007 = SD1 Zener diode e.g. S5V1Z = 5.1V



Note

All trademarks are the property of their respective owners