

WP7-PT Tool Reset Push Button Manual Call Point

The weatherproof WP7-PT tool reset push button manual call points feature a robust GRP enclosure with a 316 stainless steel mechanism and IP66/67/68 rating – designed for reliable initiation in the harshest of environments. SIL2 compliant to IEC 61508 (2010).

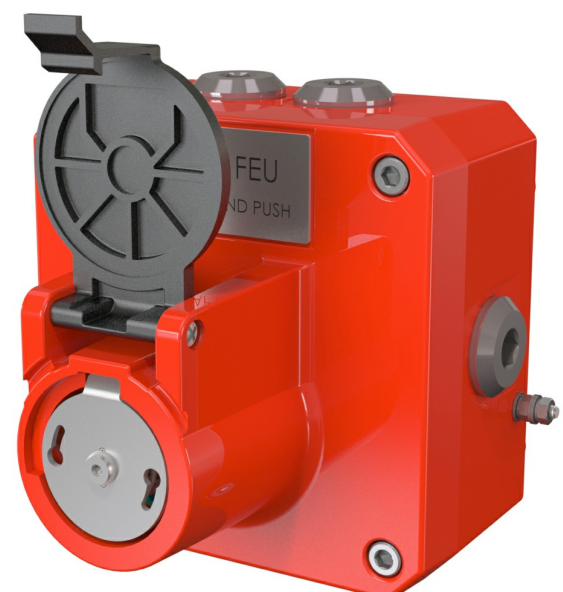
The UV stable glass reinforced polyester enclosure can withstand the rigours of on and offshore safe area installations. The extended operating temperature range, stainless steel mechanism and latching lift flap ensures the WP7-PT provides a reliable latching switch activation.

Features

- Robust corrosion proof GRP enclosure
- Anti-static & UV stable
- Ingress protection IP66/67/68
- Single or double switch
- 316 (A4) Stainless Steel mechanism
- Latching lift flap
- 3 x M20 cable entries, 2 x Stopping plugs included
- Captive stainless steel fasteners

Approvals

- DNV certificate TAA000034V
- SIL2 compliant to IEC 61508 (2010)



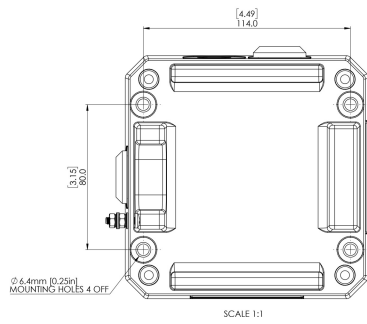
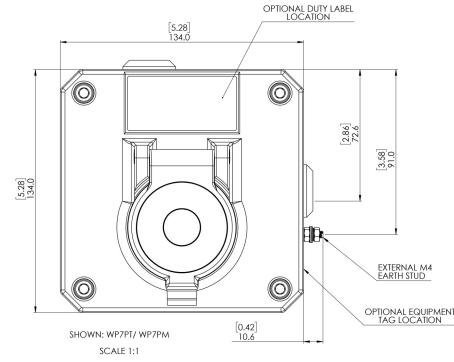
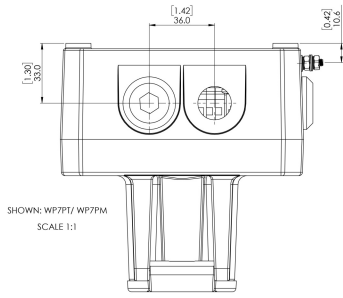
Specification

WP7-PT:	Weatherproof tool reset push button
Switch rating:	AC voltage 250V Max Current 5.0A Max DC voltage 75V Max Current 0.75A Max DC voltage 50V Max Current 1.0A Max DC voltage 30V Max Current 5.0A Max Resistive Load; Inductive Load 3.0A Max DC voltage 12V Max Current 5.0A Max
Temp. Range:	-55°C to +75°C
Ingress protection:	EN/IEC 60529 – IP66/67/68
Enclosure matl:	GRP Glass Reinforced Polyester
Colour:	RAL3000 Red Other solid and striped colours available
Cable entries:	2 x M20x1.5 top and 1 x M20x1.5 side. Back box can be rotated to give 2 x bottom and 1 x side entries
Stopping plugs:	2 x Stopping plugs as standard Nylon, Brass, Nickel plated or Stainless Steel
Terminals:	DIN rail 8 x 2.5mm ² SAK2.5 or Termination board featuring 6 x 2.5mm ² terminals plus 4 x dedicated EOL & Series terminals
Earth:	External M5 earth connection
Relative Humidity:	R.H. 95% @ 20°C
MTBF:	479.6 years / 4,201,680 hours I-MIL 217
Weight:	2.1Kg/4.63lbs

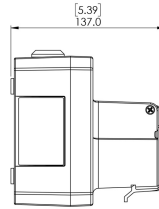
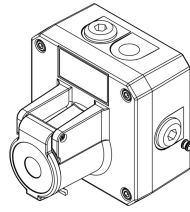
Part Codes

Version:	Part references:	Description:
Product type:	WP7PT	Tool reset push button
Switch Type: [s]	S D	SPCO/SPDT DPCO/DPDT
Terminals: [t]	D X P	DIN Rail 8 x SAK2.5 Addressable module – select below Termination board: 6 x 2.5mm ² terminals plus 4 x EOL & Series terminals
Lift flap: [l]	L	Lift flap supplied as standard
Cable Entry Type: [e]	A B C D E F G	3 x M20x1.5mm 2 x 1/2" NPT – adaptors 2 x 3/4" NPT – adaptors 2 x M25x1.5mm – adaptors 1 x 1/2" NPT – adaptor 1 x 3/4" NPT – adaptor 1 x M25x1.5mm – adaptor
Stopping plug material: [m]	N B P S	Nylon Brass Nickel Plated Brass Stainless Steel
Duty label / Equipment tag: [d]:	1 2 3 4 5 6 7	No Duty label, no Equip. tag Duty label Stainless Steel Duty label St/St + Equip. tag Duty label Metalised Polyester Duty label M. Poly. + Equip. tag Equip. tag only Special label requirement
Product version: [v]	A H Z M C P E S D L	DNV Type Approved, SIL2 compliant Honeywell TC809B1008 module Ziton A45E-2 module Johnson Controls MIM800 module Hochiki CHQCP2 monitor Apollo XP95 mini module Consilium IC10 module Siemens XTRE-M module Securiton SDI 82X-I module Simplex 4090-9051 Supervised IAM
Product option: [o]	1 W 2 Y P V Note:	Standard product Alternate EOL & series wiring Duplicated EOL and/or series devices Duplicated EOL and series – alternate wiring Parallel wiring with or without EOL/series Parallel with EOL and series alternate wiring Duplicated EOL/series and Parallel wiring only available with switch type 'D'
Enclosure colour: [x]	R B N Y V S K M Z	Red Blue Green Yellow Red/White Yellow/Black Black Magenta Red/Black
LED indicator: [u]	N L C	No LED required (F version mandatory) LED with 1.5K ballast resistor LED without ballast resistor
E.O.L.Module: [e] optional	ExxxR ED1 ExxxZ	Resistor value in Ohms e.g. E470R = 470 Ohm Diode IN4007 = ED1 Zener diode e.g. E5V1Z = 5.1V
Series Module: [s] optional	SxxxR SD1 SxxxZ	Resistor value in Ohms e.g. S1K5R = 1.5K Ohm Diode IN4007 = SD1 Zener diode e.g. S5V1Z = 5.1V

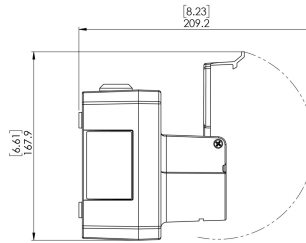
Shares:



ISOMETRIC VIEW SHOWN
WP7PT / WP7PM
PUSH BUTTON - TOOL RESET CALL POINT
PUSH BUTTON - MOMENTARY ACTION CALL POINT



SIDE VIEW SHOWN WITH FLIP LID CLOSED



SIDE VIEW SHOWN WITH FLIP LID OPEN

ISOMETRIC VIEW SHOWN
WP7PS
PUSH BUTTON CALL POINT

