

SONFL1X Alarm Horn Sounder & Xenon Strobe Beacon

The SONFL1X features the 100dB(A) SONF1 alarm horn sounder combined with the L101X Xenon strobe beacon. The compact, robust housing is ideal for all general signalling applications including fire, security and process control.

The SONFL1X features the 100dB(A) SONF1 alarm horn sounder combined with the L101X Xenon strobe beacon. The compact, robust housing is ideal for all general signalling applications including fire, security and process control.

Features

- Automatic synchronisation
- Continuously rated
- Back box options with and without mounting lugs
- Dual M20, 1/2"NPT clearance cable entries option
- Duplicate cable terminations
- Ingress protection IP66 Type 3R/13
- 3 user selectable flash rates
- 10 alarm tone frequencies with second remotely activated alarm stage
- Available with custom tone configurations and frequencies
- Diode polarized for use in supervised circuits

Approvals

- UL: UL464A & UL1638A
- cUL: CSA C22.2 No. 205 - M1983
- VdS CPR: (EN54-3 & EN54-23) 0786-CPD-21348
- MED 2020/1170: MEDB00001EH
- CSFM listing: 7135-2279:0511
- EAC CU TR 043/2017: B.00291/21
- EAC: RU D-GB.GA05.B.12595-20
- RMRS Marine: No. 19.00193.278
- CE, UKCA



Specification

Alarm Horn:

Maximum output: 103dB(A) @ 1 m ±3dB
[94dB(A) @ 10ft/3m ±3dB]

Nominal output: 101dB(A) @ 1m ±3dB
[92dB(A) @ 10ft/3m ±3dB]

No. of tones: 10 (UK00A / PFEER compliant)

No. of stages: 2 (AC voltage variants 1 stage)

Volume control: -12dB(A) tone dependent

Effective range: 38m/124ft @ 1KHz

Voltages DC: 12Vdc; 24Vdc
MED version: 20-30V dc

Voltages AC: 24V ac; 115V ac; 230V ac

Stage switching: Negative (common positive)

Xenon Strobe:

Energy: 5 Joules(5Ws)

Flash rate: 1Hz (60 fpm)
DC units: 1.5Hz (90 fpm) & Double strike

Peak Candela: 500,000 cd - calculated from energy (J)

Effective cd: 250 cd - calculated from energy (J)

Peak Candela: 86,935 cd* - measured ref. to I.E.S.

Effective cd: 200 cd* - measured ref. to I.E.S.

Tube life: Emissions may reduce to 70% after 8 million flashes

General:

Ingress protection: IP66 Type 3R/13

Enclosure: High impact UL94 V0 & 5VA FR ABS

Lens colour filter: Field replaceable UV stable PC

Terminals (alarm horn): 0.5 - 1.5mm² (22-16 AWG)

Terminals (beacon): 0.5 - 2.5mm² (20-14 AWG)

Line monitoring: Diode polarized for use in supervised circuits

Operating: -40 to +55°C [-40° to +131°F]

Storage: -40 to +70°C [-40° to +158°F]

Relative humidity: 90% at 20°C [68°F]

Vibration test: 35Hz for a duration 4Hr (UL464A/UL1638A)

Jarring test: 3ft/lb Energy (UL464A/UL1638A)

Impact test: 3x 5lb (UL464A/UL1638A)

MTBF: 93.92 years / 822,706 hours - MIL 217

Weight: 0.50kg / 1.10lbs

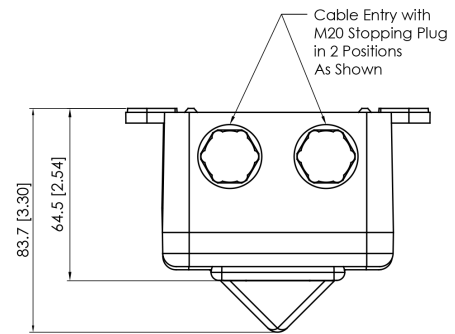
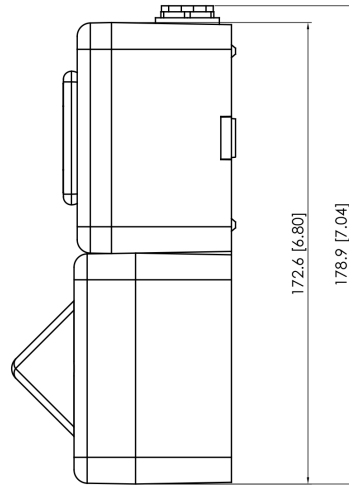
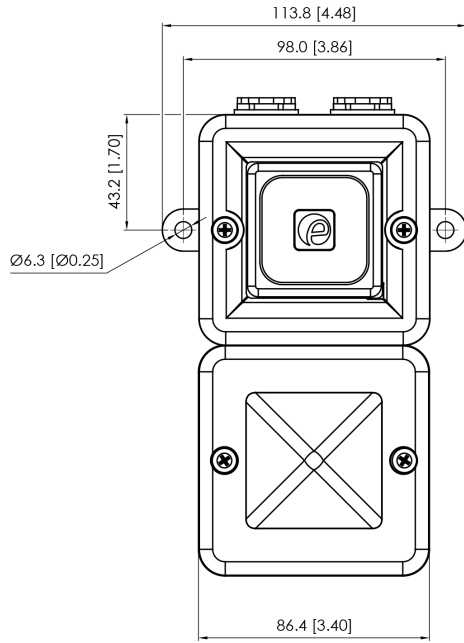
Part Codes

Variable: Identifier: Description:

Product type:	SONFL1X	Combined alarm horn sounder & Xenon strobe
Voltage:	DC012	12Vdc (10-14Vdc)
	DC024	24Vdc (20-28Vdc)
	AC024	24Vac 50/60Hz
	AC115	115Vac 50/60Hz
	AC230	230Vac 50/60Hz
Back box/cable entries: [e]	M	Back box with mounting lugs - 2 x M20, 1/2"NPT clearance
Stopping plug material: [m]	A	ABS
Equip. tag/Duty label: [s]	0	No equip. tag or Duty label
	1	316 (A4) St/St Equip. tag/Duty label
	2	Metalised Polyester Equip. tag/Duty label
Product version: [v]	A	UL/cUL, CPR, RMRS, EAC, CE, UKCA
	M	MED, RMRS, EAC, CE, UKCA - 24Vdc only
Product option: [o]	1	Standard product
	X	Custom configuration - contact E2S
	Z	Custom alarm tone software - contact E2S
Enclosure: [x]	R	Red (RAL 3000)
	G	Grey (RAL 7038)
	W	White
Lens colour: [y]	A	Amber
	B	Blue
	C	Clear
	G	Green
	M	Magenta
	R	Red
	Y	Yellow

Current Consumption

Product Version:	Nominal Voltage:	Voltage Range:	Beacon Current:	Horn Current:
DC012	12Vdc	10-14Vdc	341mA	25mA
DC024	24Vdc	20-28Vdc	250mA	25mA
AC024	24Vac	±10% 50/60Hz	300mA	40mA
AC115	115Vac	±10% 50/60Hz	70mA	13mA
AC230	230Vac	±10% 50/60Hz	35mA	13mA



Tone table

S 1 Description

		S 2
T 1	800/1000Hz @ 0.25 sec Alternating	T 8
T 2	500/1200Hz @ 0.3Hz 0.5 sec Slow Whoop	T 1
T 3	1200/500Hz @ 1Hz - DIN / PFEER P.T.A.P.	T 8
T 4	544Hz (100mS)/440Hz (400mS) - NF S 32-001	T 9
T 5	Bell	T 1
T 6	800/1000Hz @ 7Hz Sweeping	T 8
T 7	500-1200Hz 3.75sec /0.25sec. Australian Evac.	T 10
T 8	1000Hz Continuous - PFEER Toxic Gas	
T 9	Continuous 554Hz	
T 10	420Hz @ 0.625 sec Australian Alert	

S1 Frequency Description (AC version)

T 1	800/1000Hz @ 0.25 sec Alternating	
T 2	500/1200Hz @ 0.3Hz 0.5 sec Slow Whoop	
T 3	1200/500Hz @ 1Hz - DIN / PFEER P.T.A.P.	
T 4	544Hz (100mS)/440Hz (400mS) - NF S 32-001	
T 5	1000Hz Continuous - PFEER Toxic Gas	
T 6	Bell	
T 7	800/1000Hz @ 7Hz Sweeping	
T 8	2400/2900Hz @ 50Hz Sweeping	
T 9	420Hz @ 0.625 sec Australian Alert	
T 10	500-1200Hz 3.75sec /0.25sec. Australian Evac.	