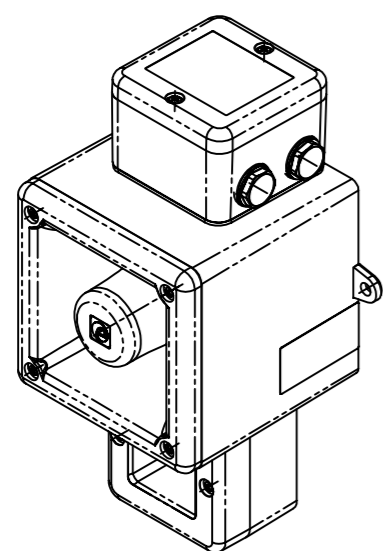
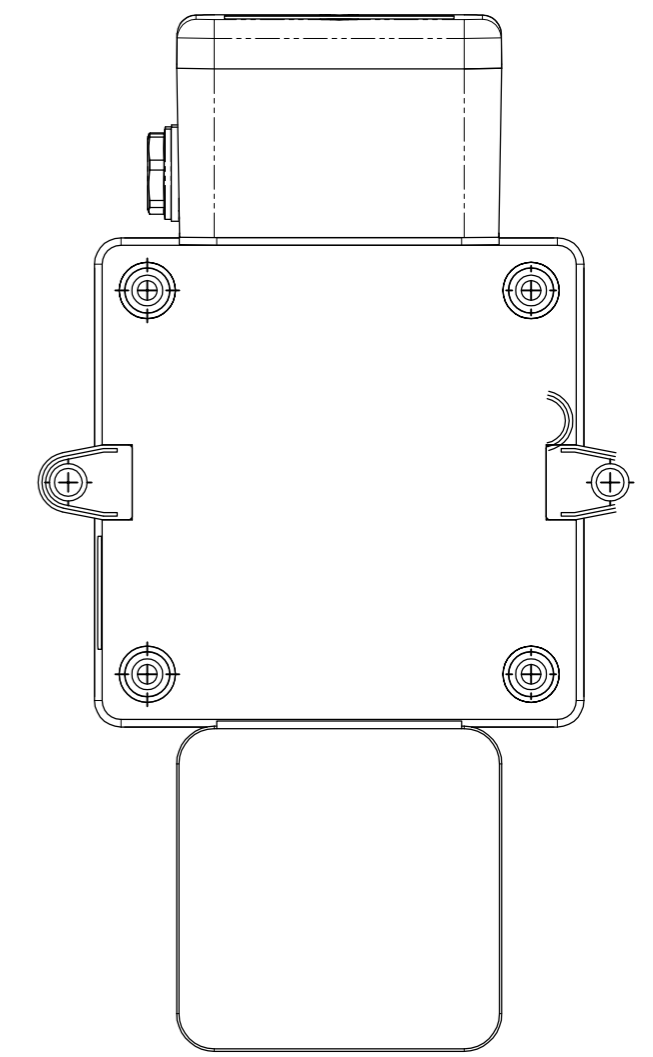
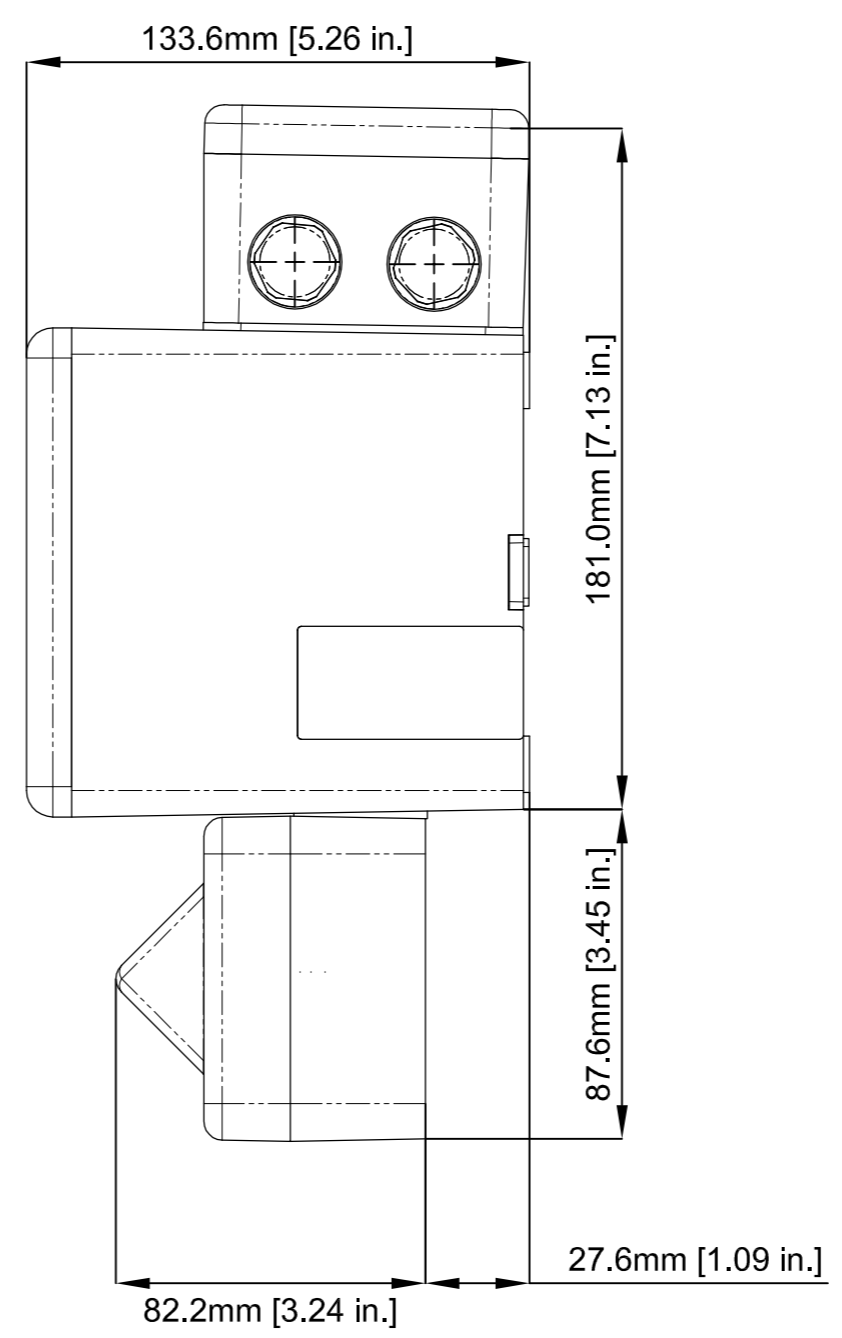
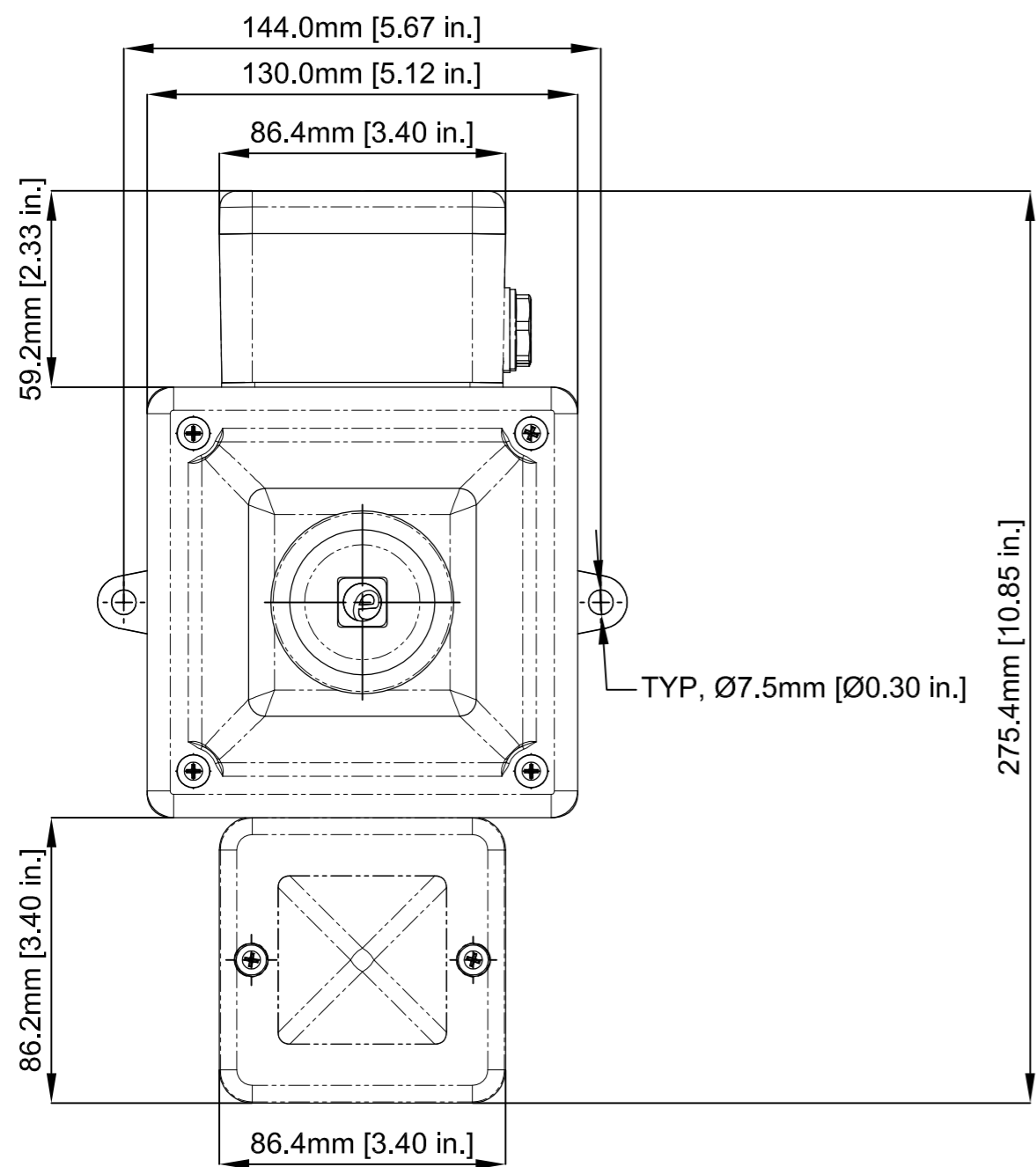


ISSUE	MOD No.	REASON - INITIAL - DATE
A		INTRODUCTION OF PART STC 13-03-12
B		UPDATED TO DUAL DIMS. RSR 10-07-13



SCLAE 1 : 2

E2S PART NO.	DESCRIPTION	DATA REFERENCE
AL105NAXH...	AL105NAXH APPELLO X RECORDABLE SOUNDER & LED BEACON (AC VERSION)	2.32.020
AL105AXX...	AL105NAXX APPELLO X RECORDABLE SOUNDER & XENON BEACON (AC VERSION)	2.32.010

DRAWING TO BS8888:2000 GEOMETRIC TOLERANCES TO ISO LINEAR DIMENSIONAL TOLS ANGULAR DIMENSIONAL TOLS	DRAWN 101-1983 S T CHU	DATE 19:03:12	SURFACE FINISH	WEIGHT (Kg)	THIS DRAWING AND ANY INFORMATION OR DESCRIPTIVE MATTER THEREIN IS COMMUNICATED IN CONFIDENCE AND IS THE COPYRIGHT PROPERTY OF EUROPEAN SAFETY SYSTEMS LTD. NEITHER THE WHOLE OR ANY EXTRACT MAY BE DISCLOSED, LOANED, COPIED OR USED FOR MANUFACTURING OR TENDERING PURPOSES WITHOUT THEIR WRITTEN CONSENT.	 EUROPEAN SAFETY SYSTEMS LTD. IMPRESS HOUSE MANSELL ROAD ACTON LONDON W3 7QH WWW.E2S.COM	ALL DIMENSIONS IN MM IF IN DOUBT, ASK - DO NOT SCALE.		A1
STANDARDS PRODUCT REF AL105APP AC	CHECKED R,N,POTTS	DATE 19:03:12	MATERIAL	ALTERNATIVE MATERIAL			 EUROPEAN SAFETY SYSTEMS LTD. PER LATEST DATE OF ISSUE SHOWN ABOVE		