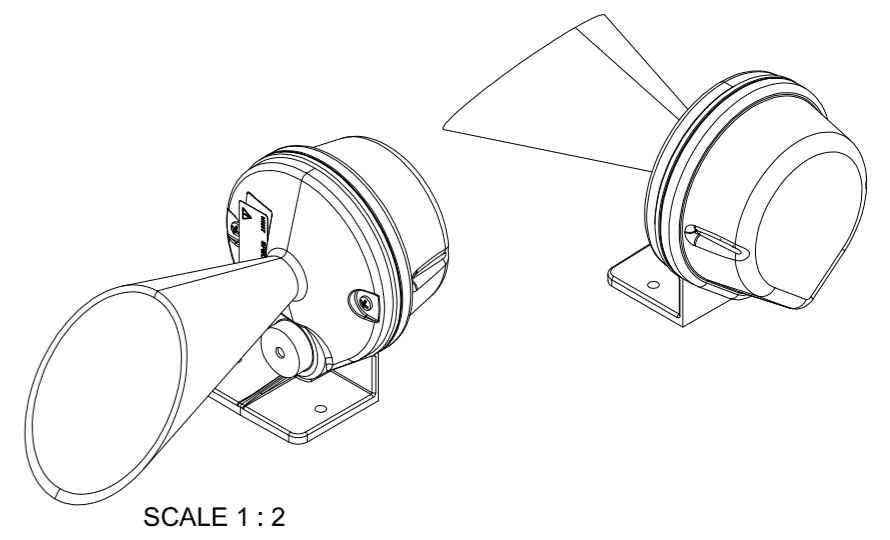
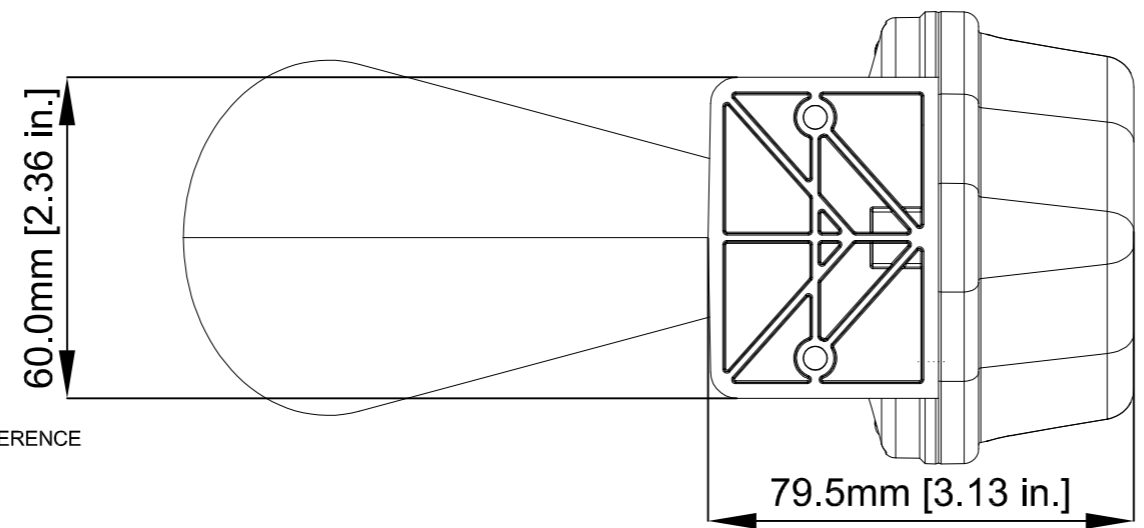
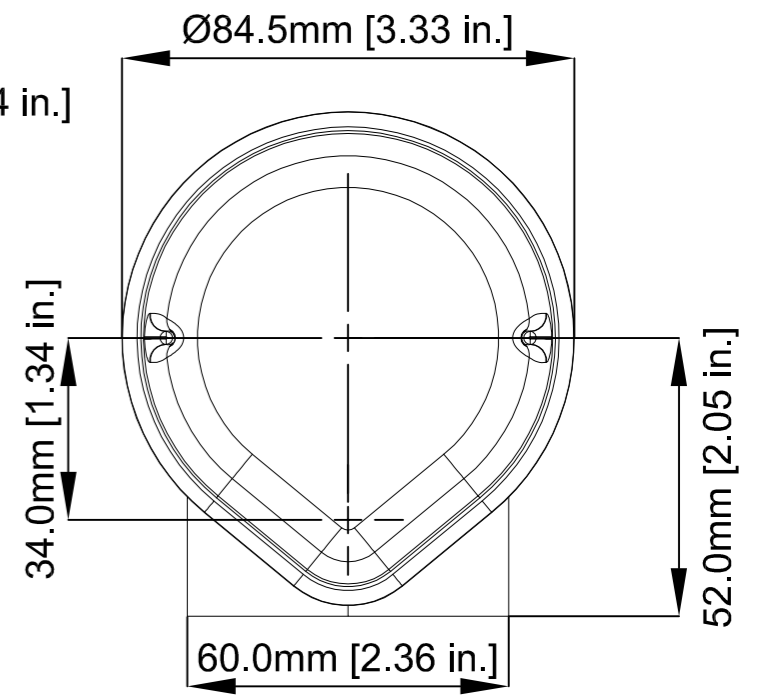
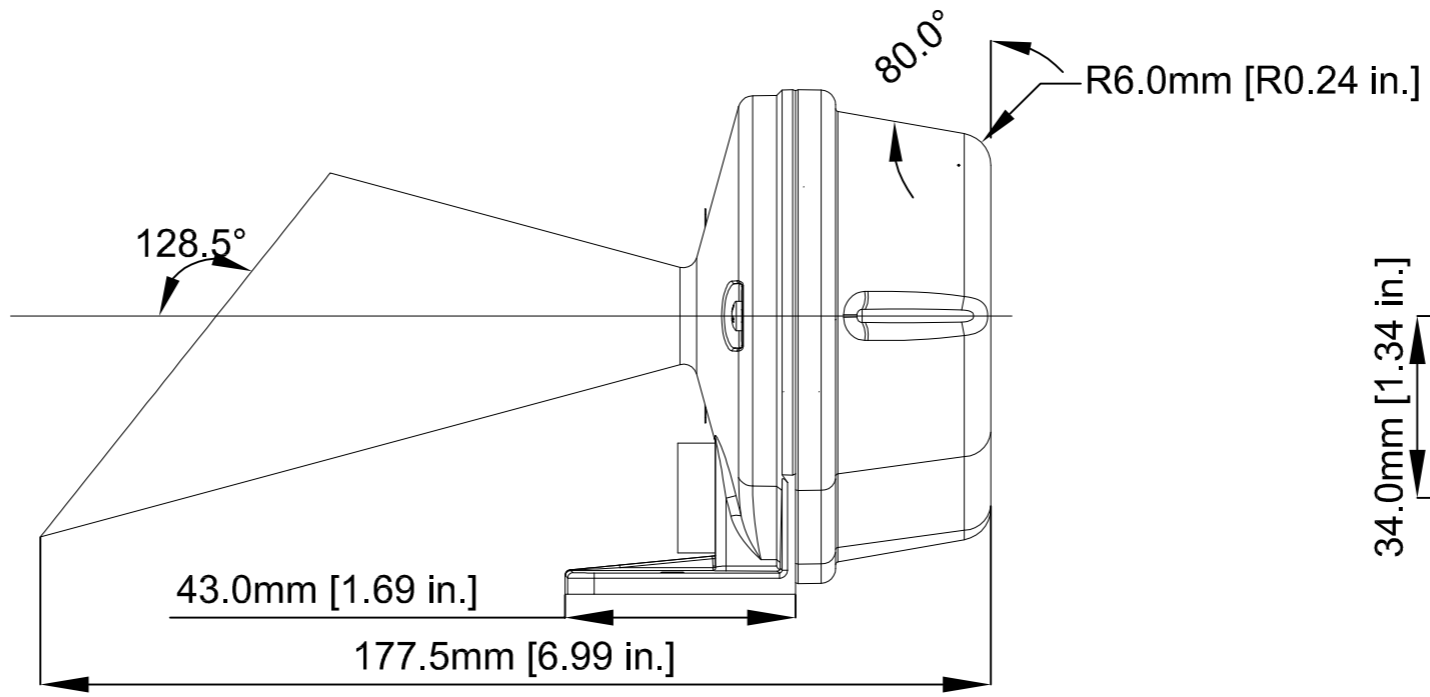
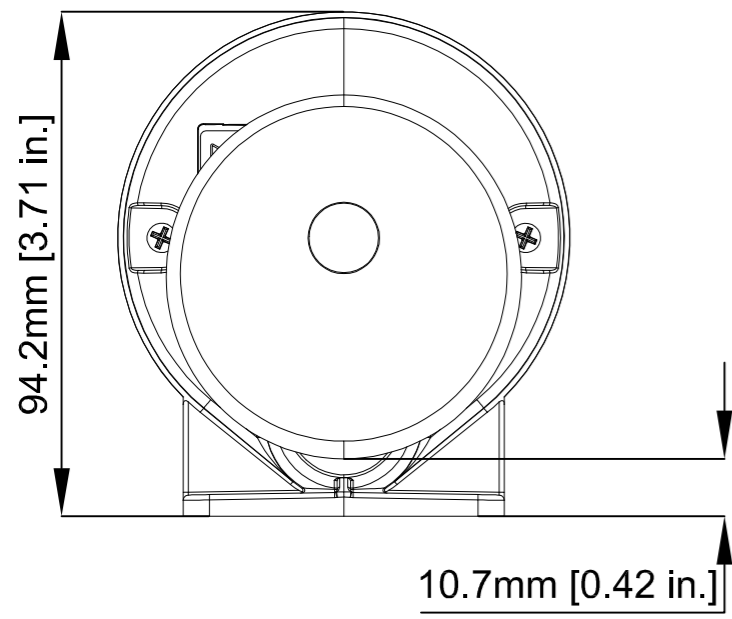
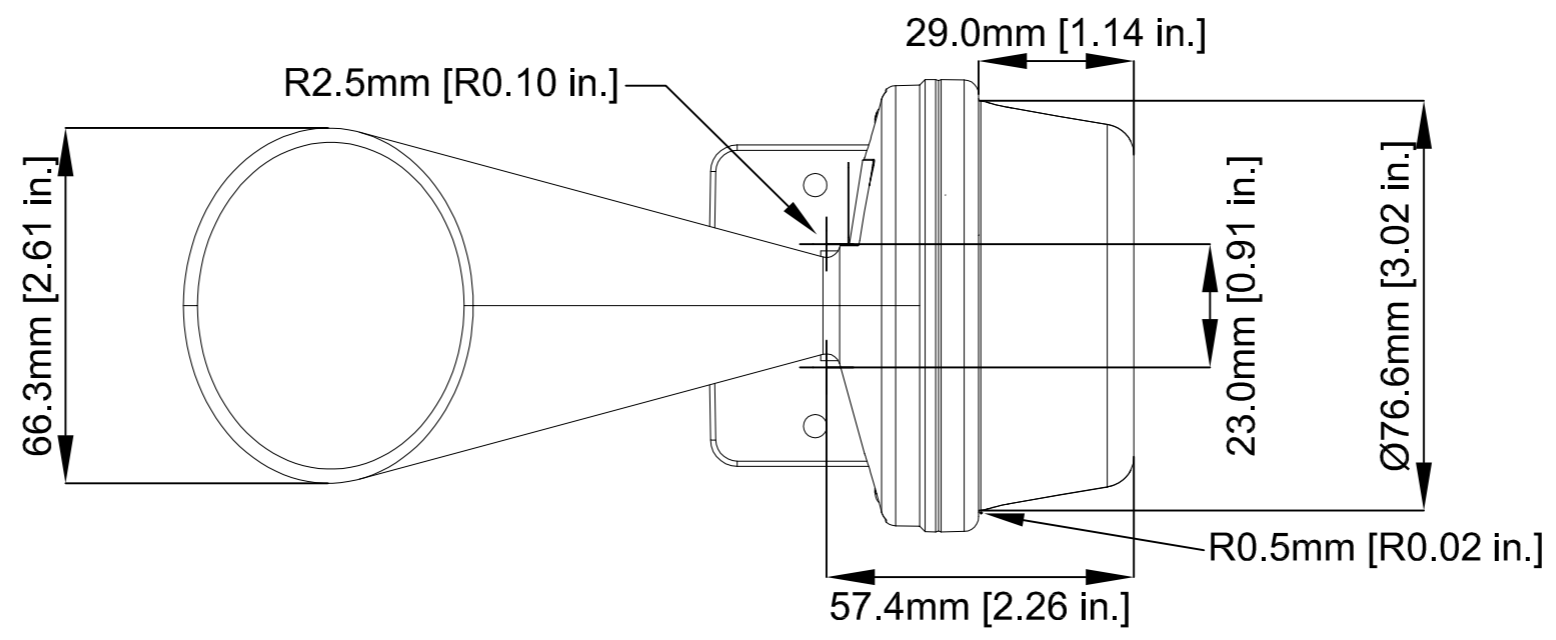


ISSUE	MOD No.	REASON - INITIAL - DATE
A		INTRODUCTION OF ASSEMBLY OUTLINE FOR CARTON DESIGN, STC 09-03-09
B		UPDATED TO DUAL DIMS. RSR 26-06-13



E2S PART NO.	DESCRIPTION	DATA REFERENCE
H100T...	H100T SIGNALLING HORN WITH TRUMPET	2.21.160

WHERE APPLICABLE '-UL' VERSIONS ARE COVERED BY THIS OUTLINE DRAWING.

DRAWING TO BS8888:2000 GEOMETRIC TOLERANCES TO ISO1101:1983 LINEAR DIMENSIONAL TOLS ANGULAR DIMENSIONAL TOLS	DRAWN R.N.POTTS	DATE 09:03:09	SURFACE FINISH FINISH	WEIGHT (Kg)	THIS DRAWING AND ANY INFORMATION OR DESCRIPTIVE MATTER THEREIN IS COMMUNICATED IN CONFIDENCE AND IS THE COPYRIGHT PROPERTY OF EUROPEAN SAFETY SYSTEMS LTD. NEITHER THE WHOLE OR ANY EXTRACT MAY BE DISCLOSED, LOANED, COPIED OR USED FOR MANUFACTURING OR TENDERING PURPOSES WITHOUT THEIR WRITTEN CONSENT.	 EUROPEAN SAFETY SYSTEMS LTD IMPRESS HOUSE MANSELL ROAD ACTON LONDON W3 7QH WWW.E2S.COM	ALL DIMENSIONS IN MM IF IN DOUBT, ASK - DO NOT SCALE		A2
	CHECKED R.N.POTTS	DATE 09:03:09							
STANDARDS SPECTRA	APPROVED R.N.POTTS	DATE 09:03:09	ALTERNATIVE MATERIAL	© EUROPEAN SAFETY SYSTEMS LTD, AS PER LATEST DATE OF ISSUE SHOWN ABOVE	TITLE OUTLINE DRAWING H100T TRUMPET HORN	SCALE 1:2	SHEET 1 OF 1	DRAWING NUMBER SK0059	