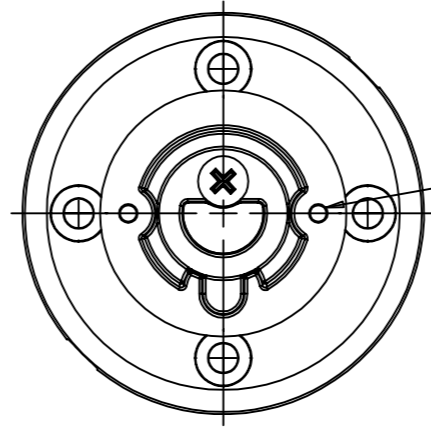
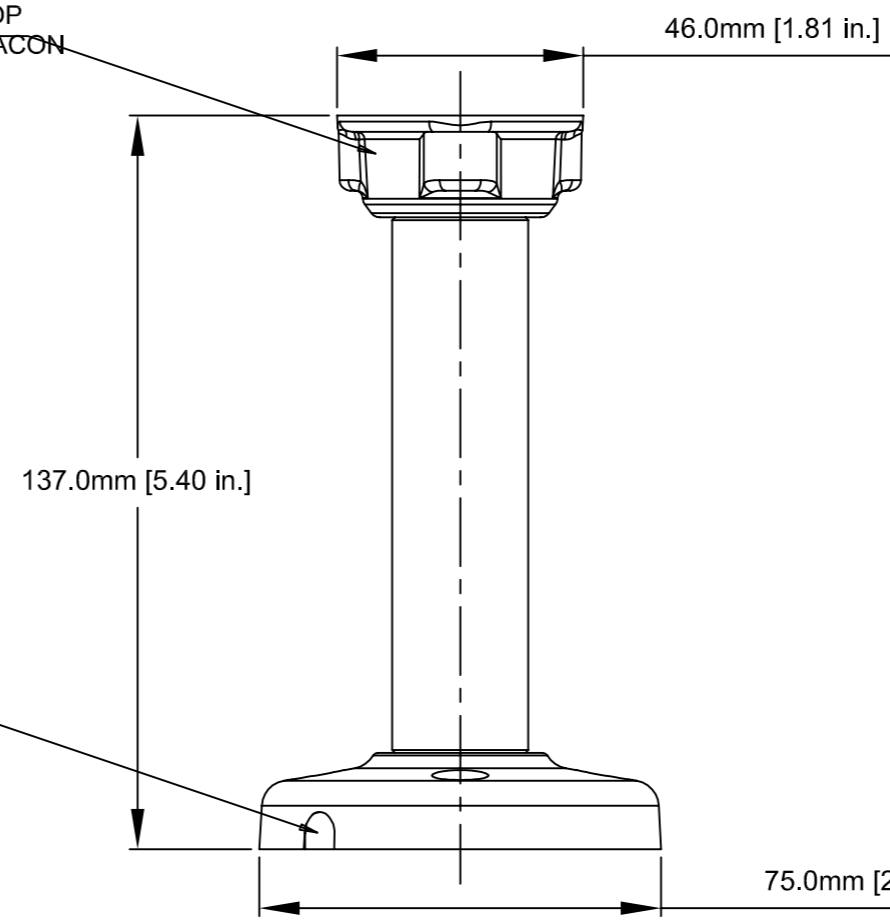


ISSUE	MOD No.	REASON - INITIAL - DATE
A		INTRODUCTION OF PART RNP 22-04-08
B		UPDATE TO DUAL DIMS. RSR 10-07-13



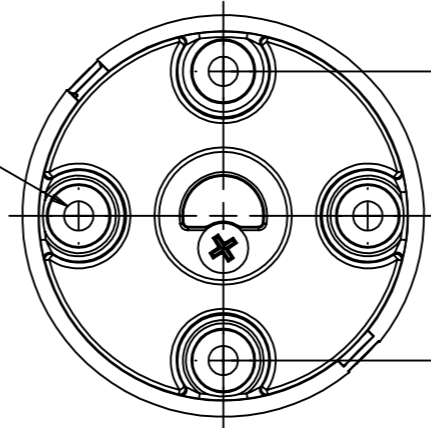
2 OFF HOLES TO SCREW DOWN
SPECTRA B200 BEACON ONTO

SPECTRA B200 POLE MOUNT TOP
ADAPTER TO MOUNT BEACON



2 OFF OPTIONAL CABLE
BREAK OUTS IN MOUNTING BASE

Ø5.50 [0.22 in.] MOUNTING
HOLES 4 OFF POSITIONS



54.0mm [2.13 in.]PCD

E2S PART NO.	DESCRIPTION	DATA REFERENCE
B200TMA001...	SPECTRA ACCESSORIES	2.16.010

WHERE APPLICABLE '-UL' VERSIONS ARE COVERED BY THIS OUTLINE DRAWING.

DRAWING TO BS8888:2000 GEOMETRIC TOLERANCES TO ISO1101:1983 LINEAR DIMENSIONAL TOLS ANGULAR DIMENSIONAL TOLS	DRAWN	DATE	SURFACE FINISH FINISH	WEIGHT (Kg)	THIS DRAWING AND ANY INFORMATION OR DESCRIPTIVE MATTER THEREIN IS COMMUNICATED IN CONFIDENCE AND IS THE COPYRIGHT PROPERTY OF EUROPEAN SAFETY SYSTEMS LTD. NEITHER THE WHOLE OR ANY EXTRACT MAY BE DISCLOSED, LOANED, COPIED OR USED FOR MANUFACTURING OR TENDERING PURPOSES WITHOUT THEIR WRITTEN CONSENT.	 EUROPEAN SAFETY SYSTEMS LTD IMPRESS HOUSE MANSELL ROAD ACTON LONDON W3 7QH WWW.E2S.COM	ALL DIMENSIONS IN MM IF IN DOUBT, ASK - DO NOT SCALE			A2
	CHECKED	DATE					MATERIAL			
	STANDARDS SPECTRA	APPROVED	DATE	ALTERNATIVE MATERIAL			SCALE	1:1	SHEET	1 OF 1