

E2S PART NO. DESCRIPTION DATA REFERENCE

ISSUE	MOD No.	REASON - INITIAL - DATE
1		INTRODUCTION D.A.H - 07-02-2020

WP3-BG WP3-BG WEATHERPROOF BREAK GLASS MANUAL CALL POINT 2-41-010

WP3-BG[S] SWITCH TYPE: [S] - Single Microswitch FOR SPECIAL WIRING REQUESTS, SELECT WP3-BG[X] AND CONSULT E2S SALES

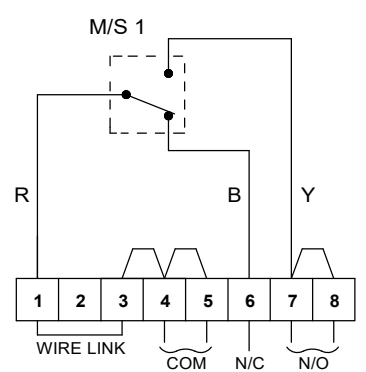
Standard Unit as supplied by E2S Without Series / EOL Devices

Standard Unit Showing positions of optional Series / EOL Devices

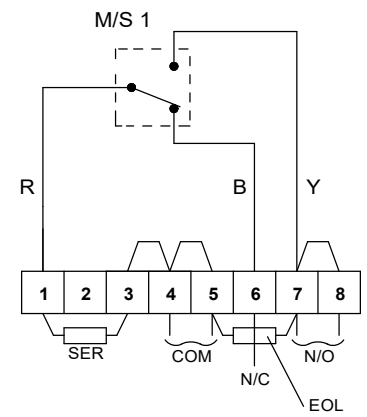
Standard Unit Showing alternative configuration of optional Series / EOL Devices

NOTE: Series / EOL devices can be fitted either by customer or pre-installed by E2S at point of order.

NOTE: Series / EOL devices can be fitted either by customer or pre-installed by E2S at point of order.

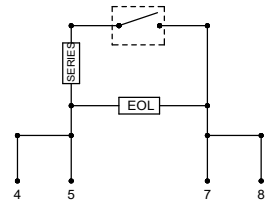


1A - Circuit shown in Unoperated condition (Glass Intact / Standby Condition)
Terminals (4,5) & (7,8) open
Terminals (4,5) & (6) closed

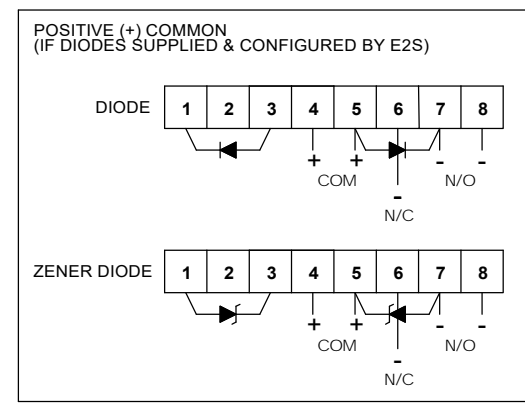


2A - Circuit shown in Unoperated condition (Glass Intact / Standby Condition)
Terminals (4,5) & (7,8) open
Terminals (4,5) & (6) closed

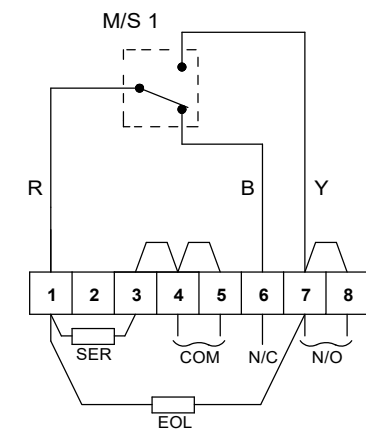
Wiring option shown with EOL & series devices acting in series



When fitting diodes or zener diodes, polarity across devices must be observed (Resistor polarity unimportant)

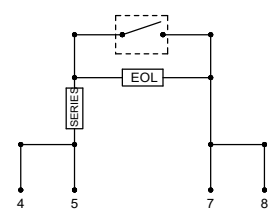


Key:
COM - Common
N/C - Normally Closed (Contacts closed in unoperated state)
N/O - Normally Open (Contacts open in unoperated state)

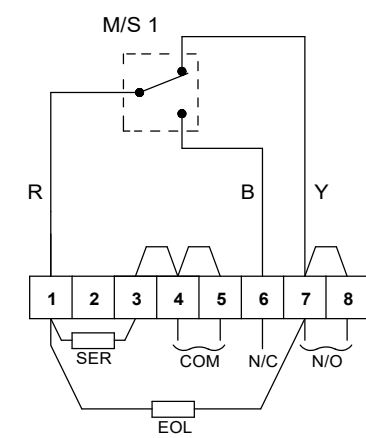
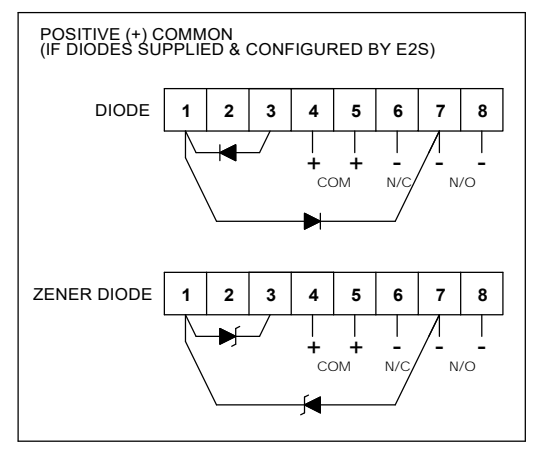


3A - Circuit shown in Unoperated condition (Glass Intact / Standby Condition)
Terminals (4,5) & (7,8) open
Terminals (4,5) & (6) closed

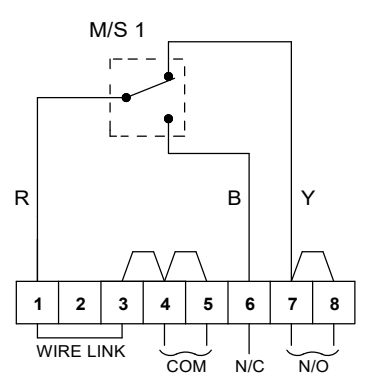
Wiring option shown with EOL & series devices acting in parallel



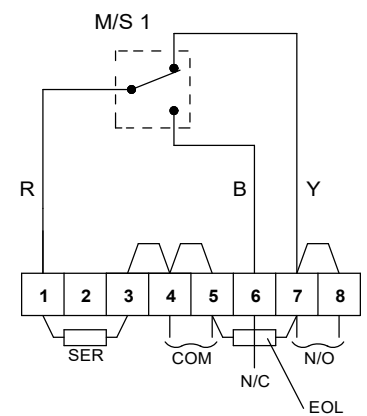
When fitting diodes or zener diodes, polarity across devices must be observed (Resistor polarity unimportant)



3B - Circuit shown in Operated condition (Glass Broken)
Terminals (4,5) & (7,8) closed
Terminals (4,5) & (6) open



1B - Circuit shown in Operated condition (Glass Broken)
Terminals (4,5) & (7,8) closed
Terminals (4,5) & (6) open



2B - Circuit shown in Operated condition (Glass Broken)
Terminals (4,5) & (7,8) closed
Terminals (4,5) & (6) open

DRAWING TO BS8888:2000
GEOMETRIC TOLERANCES TO ISO1101:1983
LINEAR DIMENSIONAL TOLS
ANGULAR DIMENSIONAL TOLS

STANDARDS
WP3 CALL POINTS

DRAWN	DATE	SURFACE FINISH	WEIGHT (Kg)
D.HOWGILL	07-02-20		
CHECKED	DATE	MATERIAL	
R.N.POTTS	07-02-20		
APPROVED	DATE	ALTERNATIVE MATERIAL	
R.N.POTTS	07-02-20		

THIS DRAWING AND ANY INFORMATION OR DESCRIPTIVE MATTER THEREIN IS COMMUNICATED IN CONFIDENCE AND IS THE COPYRIGHT PROPERTY OF EUROPEAN SAFETY SYSTEMS LTD. NEITHER THE WHOLE OR ANY EXTRACT MAY BE DISCLOSED, LOANED, COPIED OR USED FOR MANUFACTURING OR TENDERING PURPOSES WITHOUT THEIR WRITTEN CONSENT.

EUROPEAN SAFETY SYSTEMS LTD.
AS PER LATEST DATE OF ISSUE SHOWN ABOVE

E2S
warning signals

EUROPEAN SAFETY SYSTEMS LTD
IMPRESS HOUSE
MANSELL ROAD
ACTON
LONDON W3 7QH
WWW.E2S.COM

ALL DIMENSIONS IN MM
IF IN DOUBT, ASK - DO NOT SCALE

A3

TITLE **WP3-BG WEATHERPROOF BREAK GLASS MANUAL CALL POINT WIRING SCHEMATIC**

SCALE NTS SHEET 1 OF 1 DRAWING NUMBER **D232-06-001**

©