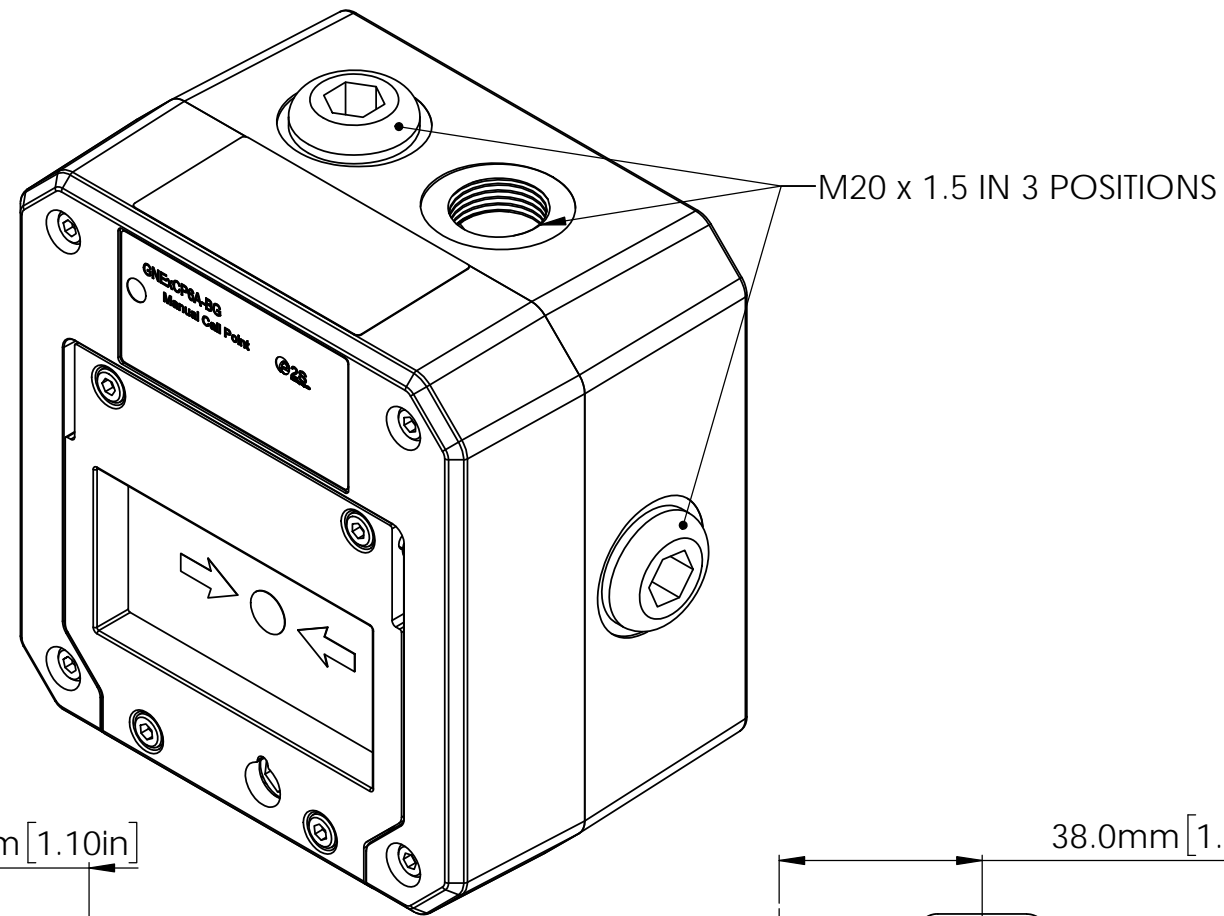
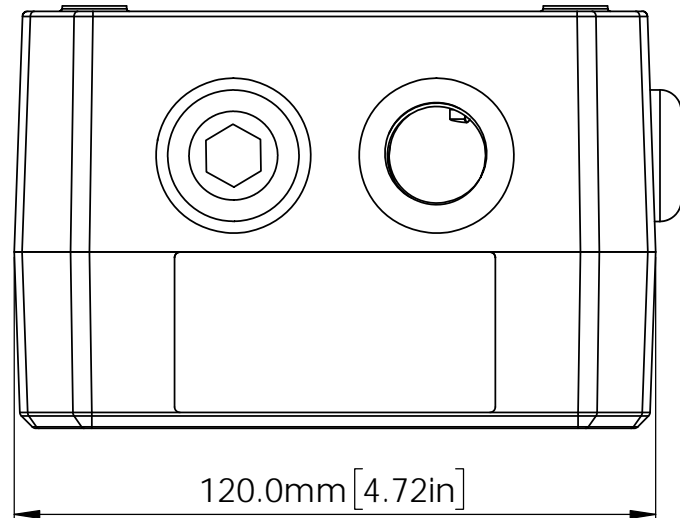


E2S PART NO.	DESCRIPTION	DATA REFERENCE
WP6-BG	WP6-BG WEATHERPROOF BREAK GLASS MANUAL CALL POINT	2-41-020

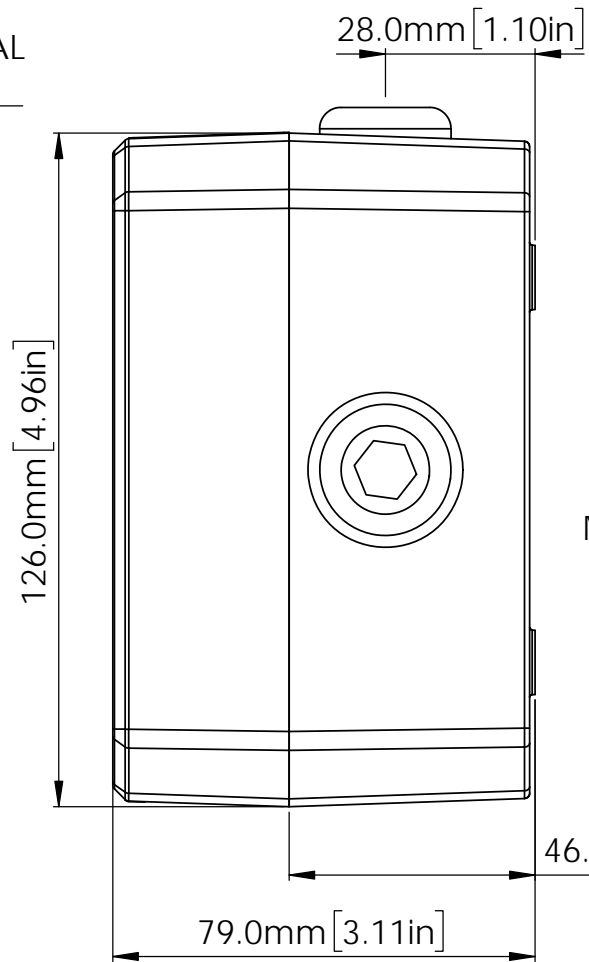
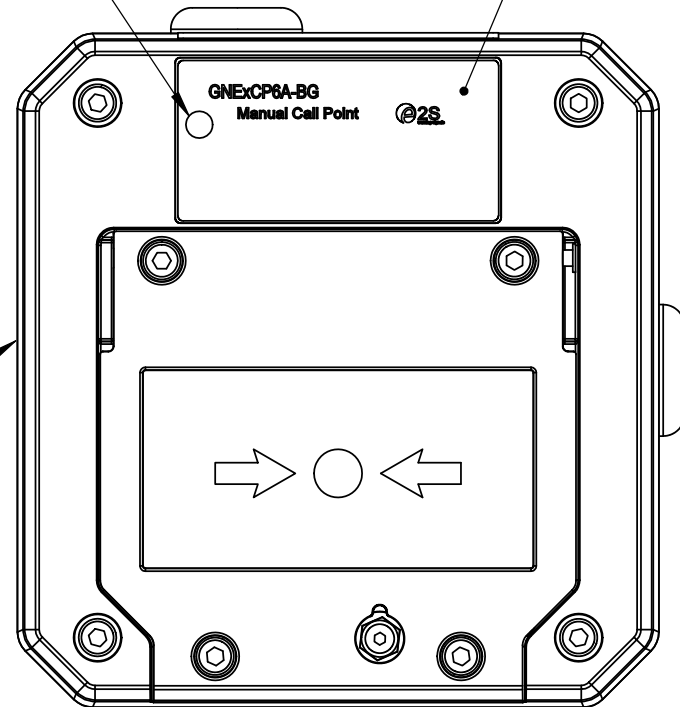
ISSUE	MOD No.	REASON - INITIAL - DATE
1		INTRODUCTION DAH - 28-02-2020



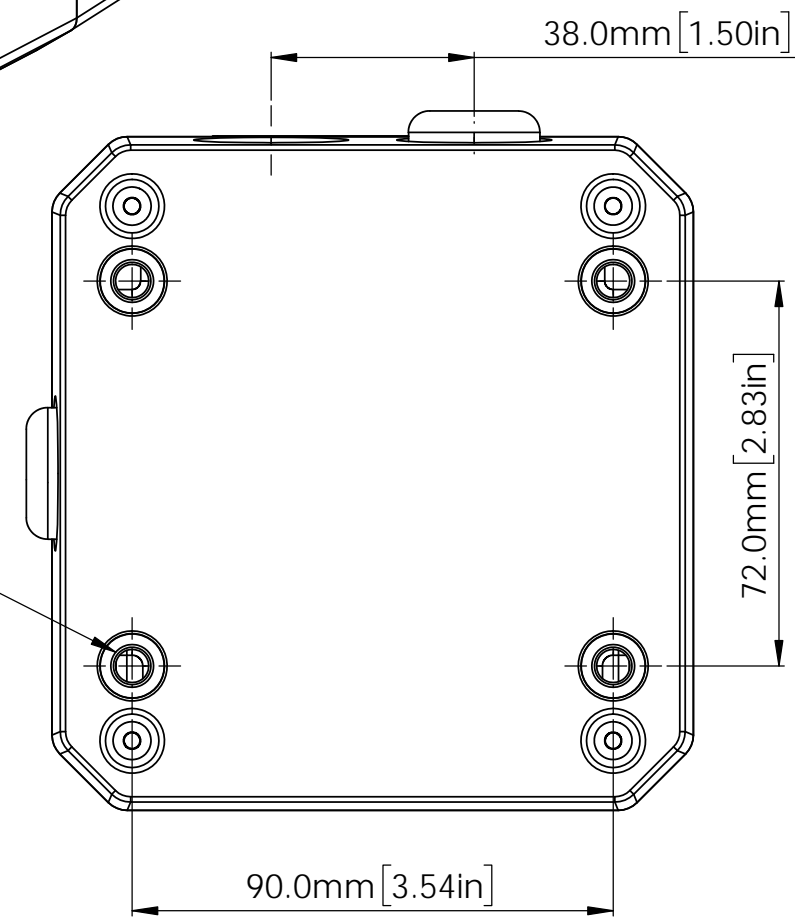
POSITION OF OPTIONAL L.E.D

POSITION OF OPTIONAL DUTY LABEL

POSITION OF OPTIONAL TAG PLATE



Ø6.2mm [0.24in]
MOUNTING HOLES
4 OFF



DRAWING TO BS8888:2000 GEOMETRIC TOLERANCES TO ISO1101:1983 LINEAR DIMENSIONAL TOLS ANGULAR DIMENSIONAL TOLS	DRAWN	DATE	SURFACE FINISH POWDER COAT	WEIGHT (Kg)	THIS DRAWING AND ANY INFORMATION OR DESCRIPTIVE MATTER THEREIN IS COMMUNICATED IN CONFIDENCE AND IS THE COPYRIGHT PROPERTY OF EUROPEAN SAFETY SYSTEMS LTD. NEITHER THE WHOLE OR ANY EXTRACT MAY BE DISCLOSED, LOANED, COPIED OR USED FOR MANUFACTURING OR TENDERING PURPOSES WITHOUT THEIR WRITTEN CONSENT.	 EUROPEAN SAFETY SYSTEMS LTD IMPRESS HOUSE MANSELL ROAD ACTON LONDON W3 7QH WWW.E2S.COM	ALL DIMENSIONS IN MM IF IN DOUBT, ASK - DO NOT SCALE			A2
	CHECKED	DATE					TITLE WP6-BG WEATHERPROOF MANUAL CALL POINT BREAK GLASS OUTLINE			
	STANDARDS WP6-BG	APPROVED	DATE	ALTERNATIVE MATERIAL			AS PER LATEST DATE OF ISSUE SHOWN ABOVE	SCALE 1:1	SHEET 1 OF 1	DRAWING NUMBER D233-05-001