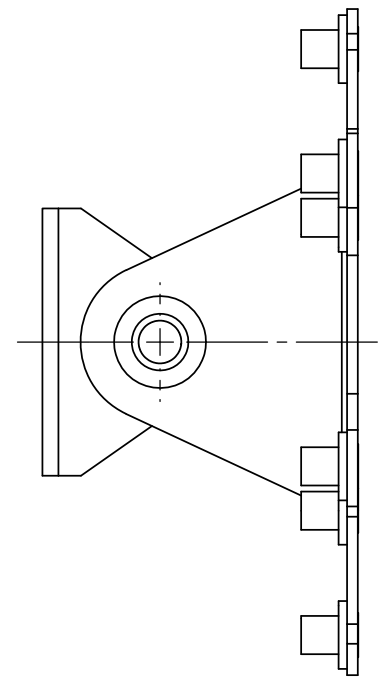
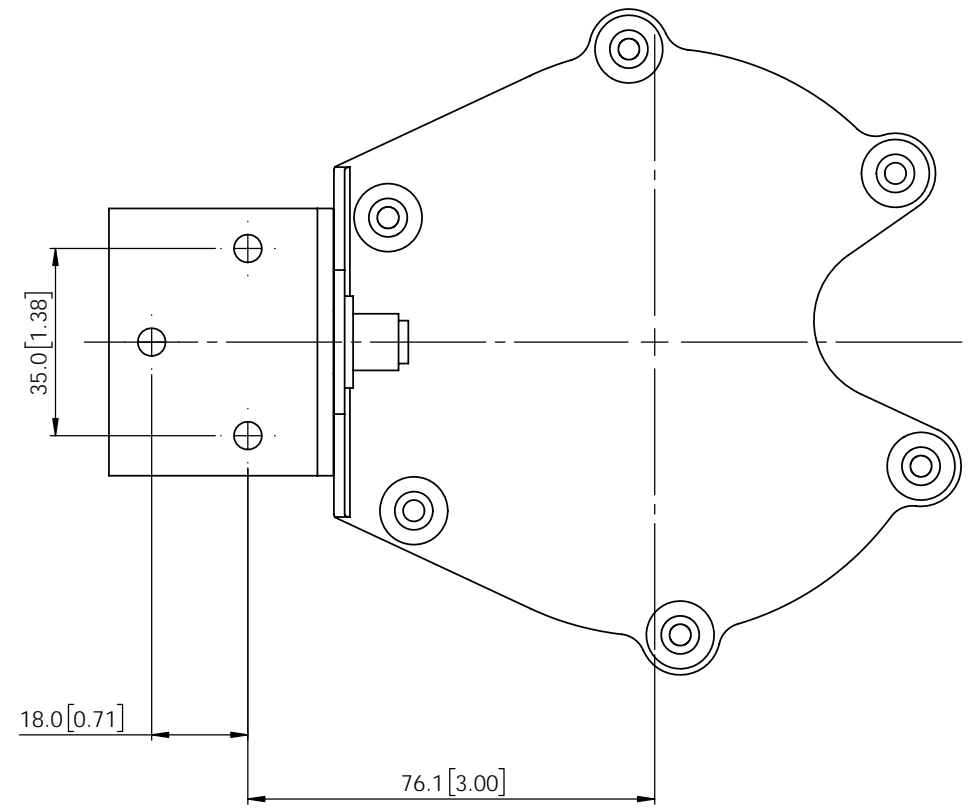
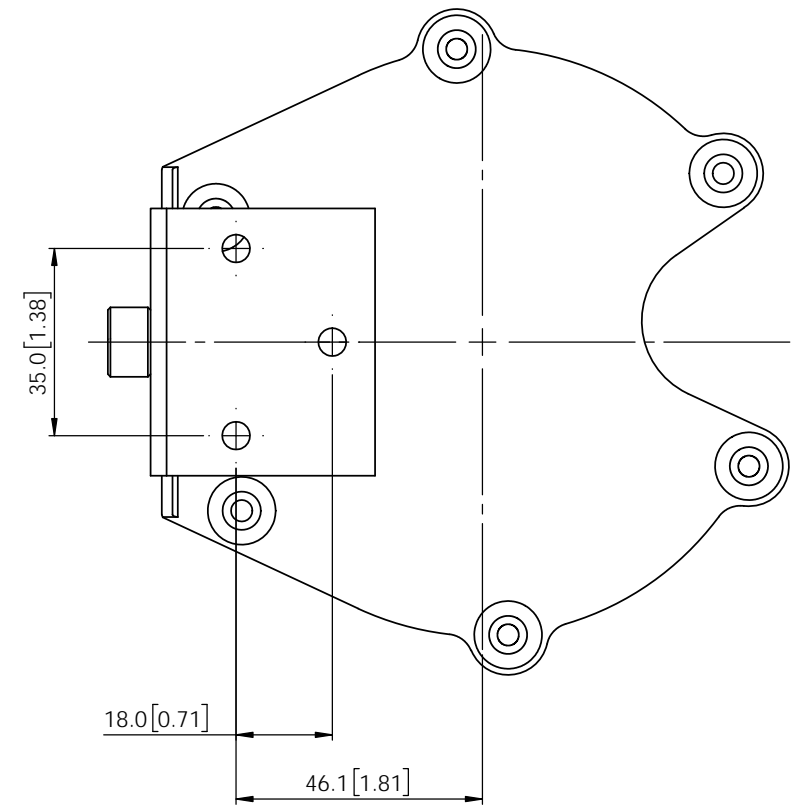
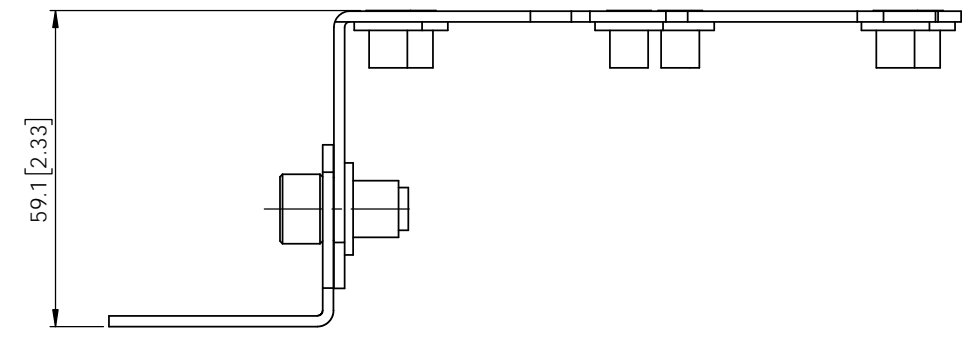
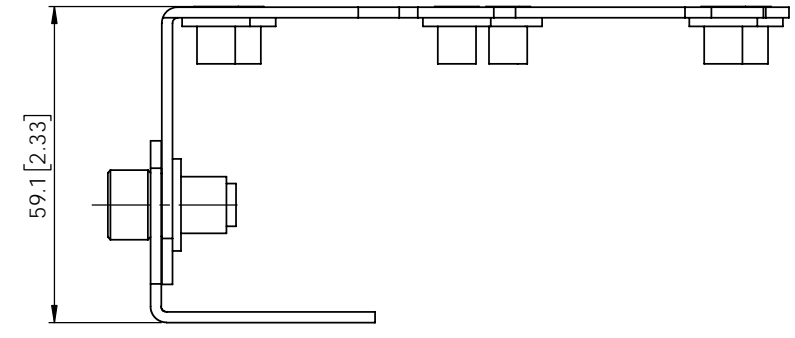


ISSUE	MOD No.	REASON - INITIAL - DATE
1		INTRODUCTION DAH - 28/01/21

E2S PART No.	DESCRIPTION
MB-B450T-S	Mounting kit for a single B450 type unit.
MB-B450T-M	Mounting kit for linked multiple B450 type units



DIMENSIONS IN MM [INCHES]

DRAWING TO BS8888:2000 GEOMETRIC TOLERANCES TO ISO1101:1983 LINEAR DIMENSIONAL TOLS ANGULAR DIMENSIONAL TOLS	DRAWN	DATE	SURFACE FINISH FINISH	WEIGHT (Kg)	THIS DRAWING AND ANY INFORMATION OR DESCRIPTIVE MATTER THEREIN IS COMMUNICATED IN CONFIDENCE AND IS THE COPYRIGHT PROPERTY OF EUROPEAN SAFETY SYSTEMS LTD. NEITHER THE WHOLE OR ANY EXTRACT MAY BE DISCLOSED, LOANED, COPIED OR USED FOR MANUFACTURING OR TENDERING PURPOSES WITHOUT THEIR WRITTEN CONSENT.	 EUROPEAN SAFETY SYSTEMS LTD IMPRESS HOUSE MANSELL ROAD ACTON LONDON W3 7QH WWW.E2S.COM	ALL DIMENSIONS IN MM IF IN DOUBT, ASK - DO NOT SCALE		A2
	CHECKED	DATE					MATERIAL		
	STANDARDS	APPROVED	DATE	ALTERNATIVE MATERIAL			SCALE 1:1 SHEET 1 OF 1 DRAWING NUMBER D126-05-711		
	D.HOWGILL	28/01/21			EUROPEAN SAFETY SYSTEMS LTD. AS PER LATEST DATE OF ISSUE SHOWN ABOVE				
	R.N.POTTS	28/01/21							
	R.N.POTTS	28/01/21							