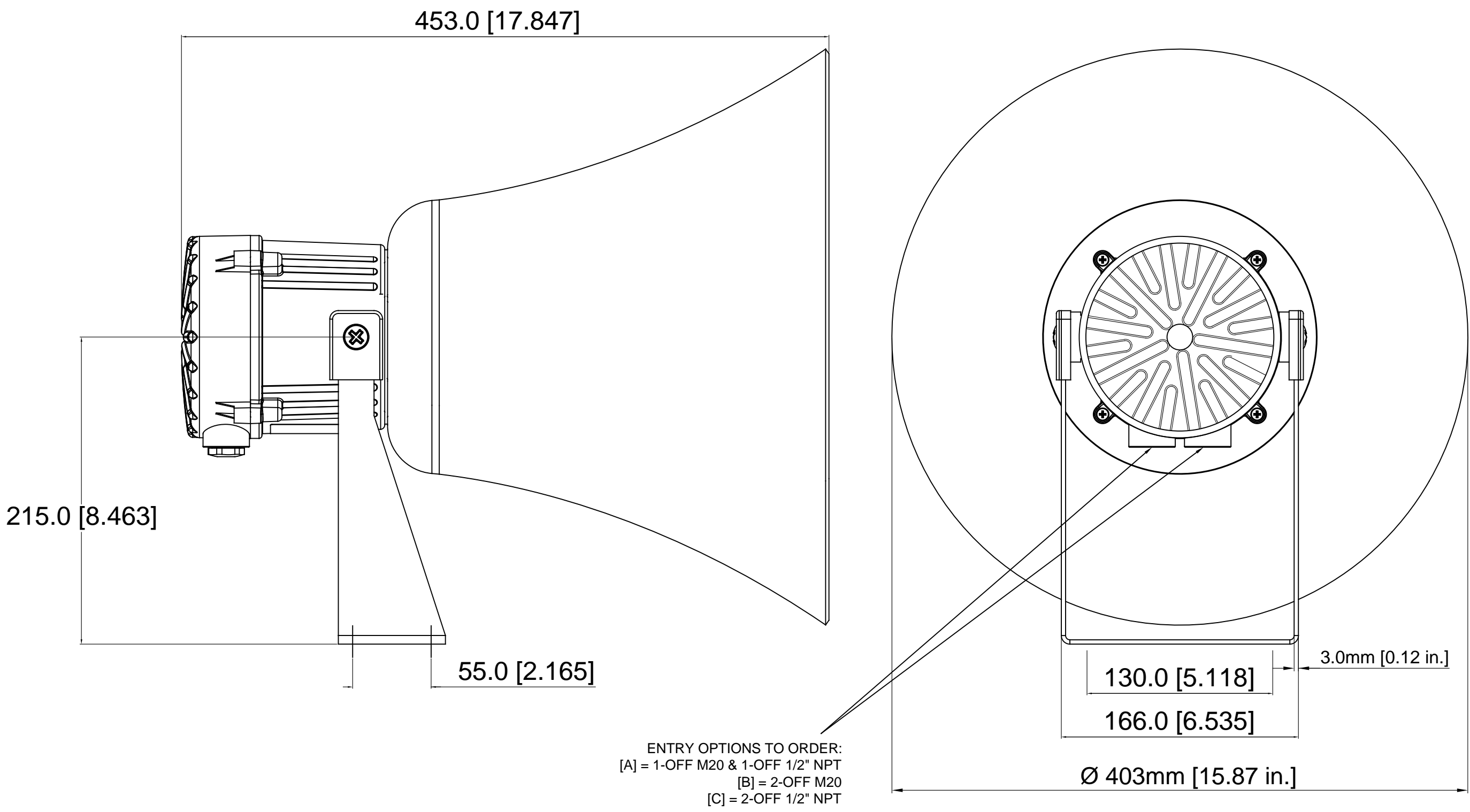


ISSUE	MOD No.	INITIAL/DATE
A		INTRODUCTION OF PART RSR 05-01-2021



ENTRY OPTIONS TO ORDER:
 [A] = 1-OFF M20 & 1-OFF 1/2" NPT
 [B] = 2-OFF M20
 [C] = 2-OFF 1/2" NPT

E2S PART NO.	DESCRIPTION	DATA REFERENCE
MA2H...	MA2H ALARM SOUNDER	2.21.205

WHERE APPLICABLE UL VERSIONS ARE COVERED BY THIS OUTLINE DRAWING.

DRAWING TO BS8888:2000 GEOMETRIC TOLERANCES TO ISO1101:1983 LINEAR DIMENSIONAL TOLS ANGULAR DIMENSIONAL TOLS	DRAWN R. S. RAIT	DATE 18-12-2020	SURFACE FINISH	WEIGHT (Kg)	THIS DRAWING AND ANY INFORMATION OR DESCRIPTIVE MATTER THEREIN IS COMMUNICATED IN CONFIDENCE AND IS THE COPYRIGHT PROPERTY OF EUROPEAN SAFETY SYSTEMS LTD. NEITHER THE WHOLE OR ANY EXTRACT MAY BE DISCLOSED, LOANED, COPIED OR USED FOR MANUFACTURING OR TENDERING PURPOSES WITHOUT THEIR WRITTEN CONSENT. © EUROPEAN SAFETY SYSTEMS LTD. AS PER LATEST DATE OF ISSUE SHOWN ABOVE	 warning signals EUROPEAN SAFETY SYSTEMS LTD IMPRESS HOUSE MANSELL ROAD ACTON LONDON W3 7QH WWW.E2S.COM	ALL DIMENSIONS IN MM IF IN DOUBT, ASK - DO NOT SCALE		A0	
	CHECKED B. ISARD	DATE 18-12-2020								MATERIAL
	APPROVED R. POTTS	DATE 18-12-2020	ALTERNATIVE MATERIAL							
STANDARDS						TITLE MA2H SOUNDER OUTLINE		SCALE 1:1	SHEET 1 OF 1	DRAWING NUMBER D207-05-151