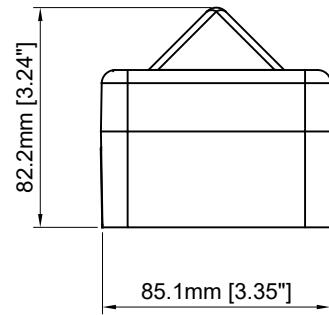
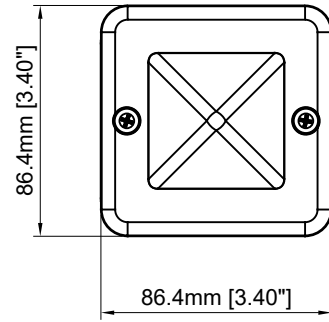
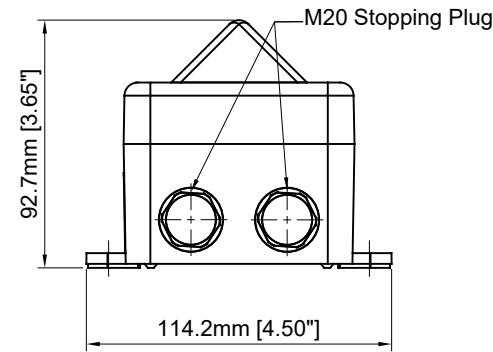
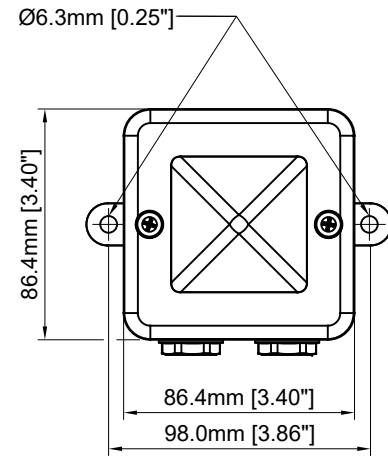


ISSUE	MOD No.	INITIAL/DATE
1		Introduction DH 26-04-2021

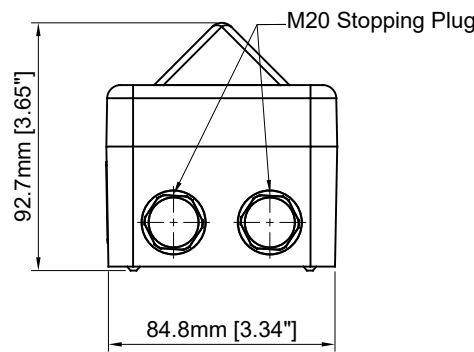
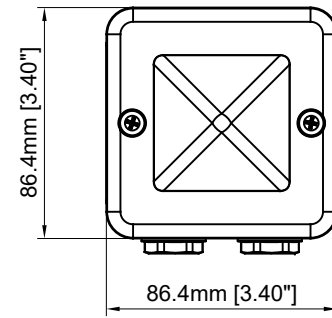
**Standard L101
Backbox
(B)**



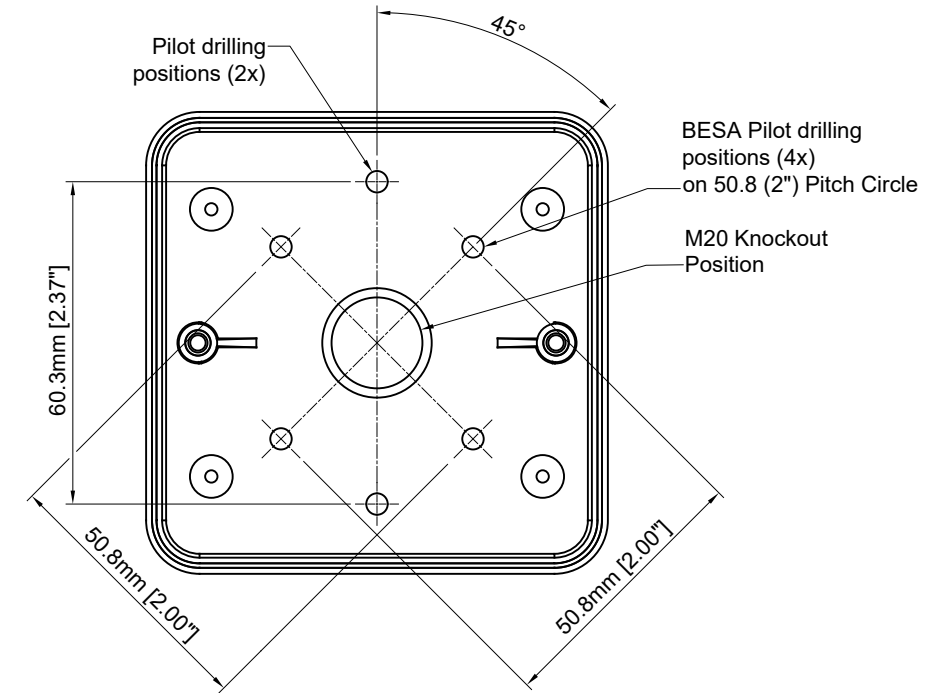
**Multi-purpose
Backbox
(M)**



**Sonora
Backbox
(S)**



**Interior View (Lid Removed)
1:1 Scale**



E2S PART NO.	DESCRIPTION	DATA REFERENCE
L101H...	L101H L.E.D BEACON	2.14.010
L101X...	L101X XENON BEACON	2.13.010
L101FLASHTEL...	L101FLASHTEL TELEPHONE INITIATED XENON BEACON	2.13.020

REFER TO CORRECT BACK BOX TYPE SKETCHES ABOVE.

DRAWING TO BS8888:2000 GEOMETRIC TOLERANCES TO ISO1101:1983 LINEAR DIMENSIONAL TOLS ANGULAR DIMENSIONAL TOLS	DRAWN D.HOWGILL	DATE 08/04/2021	SURFACE FINISH FINISH	WEIGHT (Kg)	THIS DRAWING AND ANY INFORMATION OR DESCRIPTIVE MATTER THEREIN IS COMMUNICATED IN CONFIDENCE AND IS THE COPYRIGHT PROPERTY OF EUROPEAN SAFETY SYSTEMS LTD. NEITHER THE WHOLE OR ANY EXTRACT MAY BE DISCLOSED, LOANED, COPIED OR USED FOR MANUFACTURING OR TENDERING PURPOSES WITHOUT THEIR WRITTEN CONSENT.	 EUROPEAN SAFETY SYSTEMS LTD IMPRESS HOUSE MANSELL ROAD ACTON LONDON W3 7QH WWW.E2S.COM	ALL DIMENSIONS IN MM IF IN DOUBT, ASK - DO NOT SCALE	 A2
	STANDARDS L101	CHECKED R.N.POTTS	DATE 08/04/2021	MATERIAL			ALTERNATIVE MATERIAL	