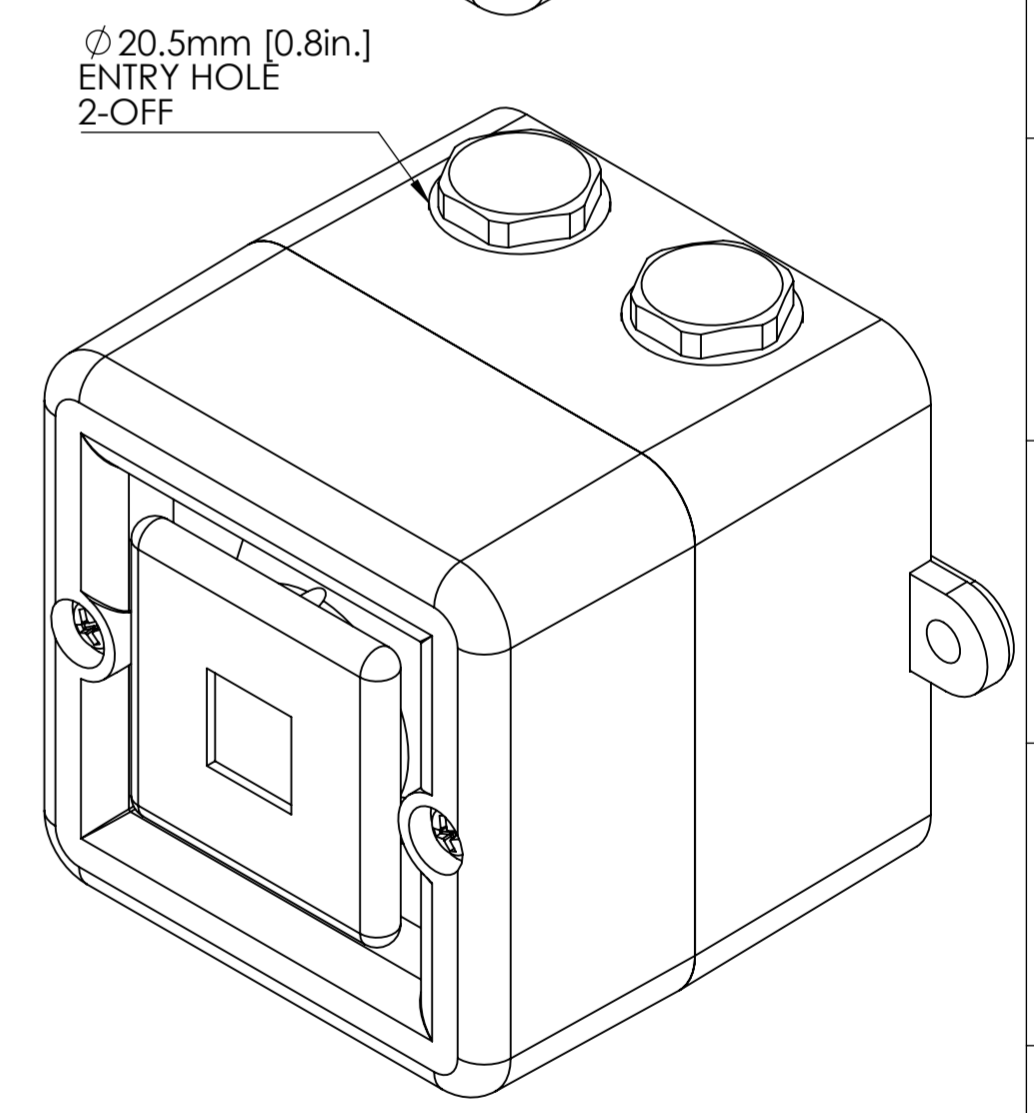
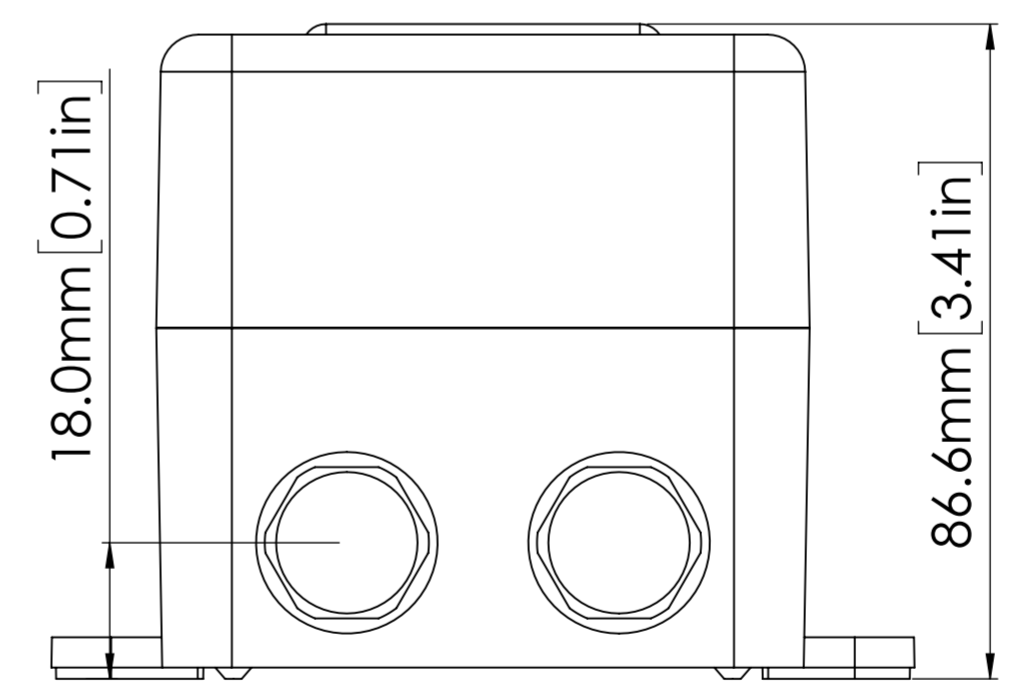
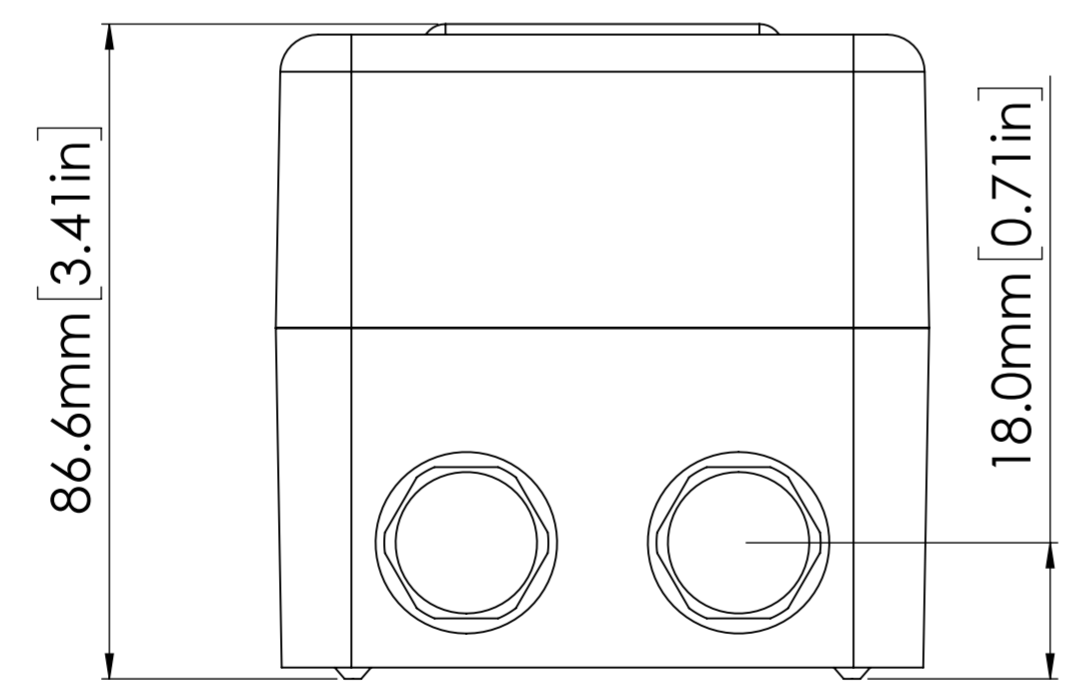
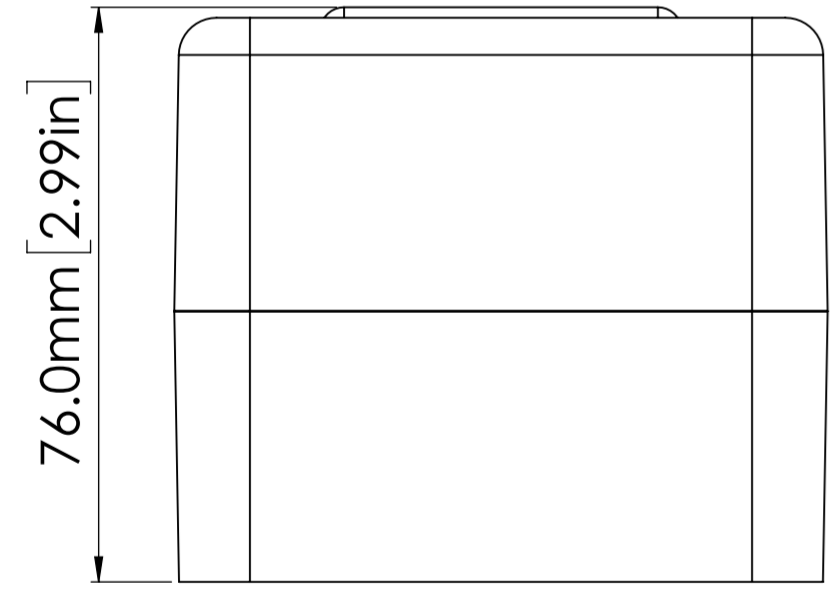
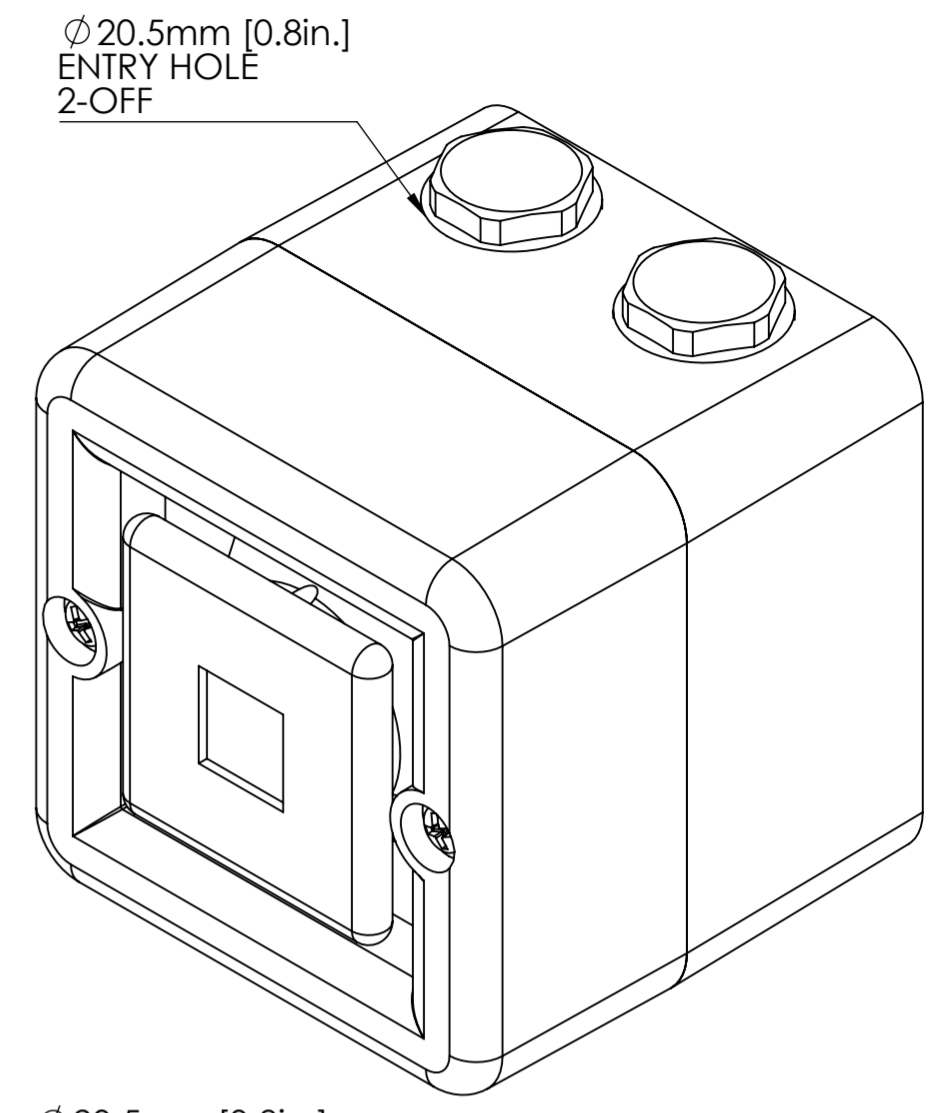
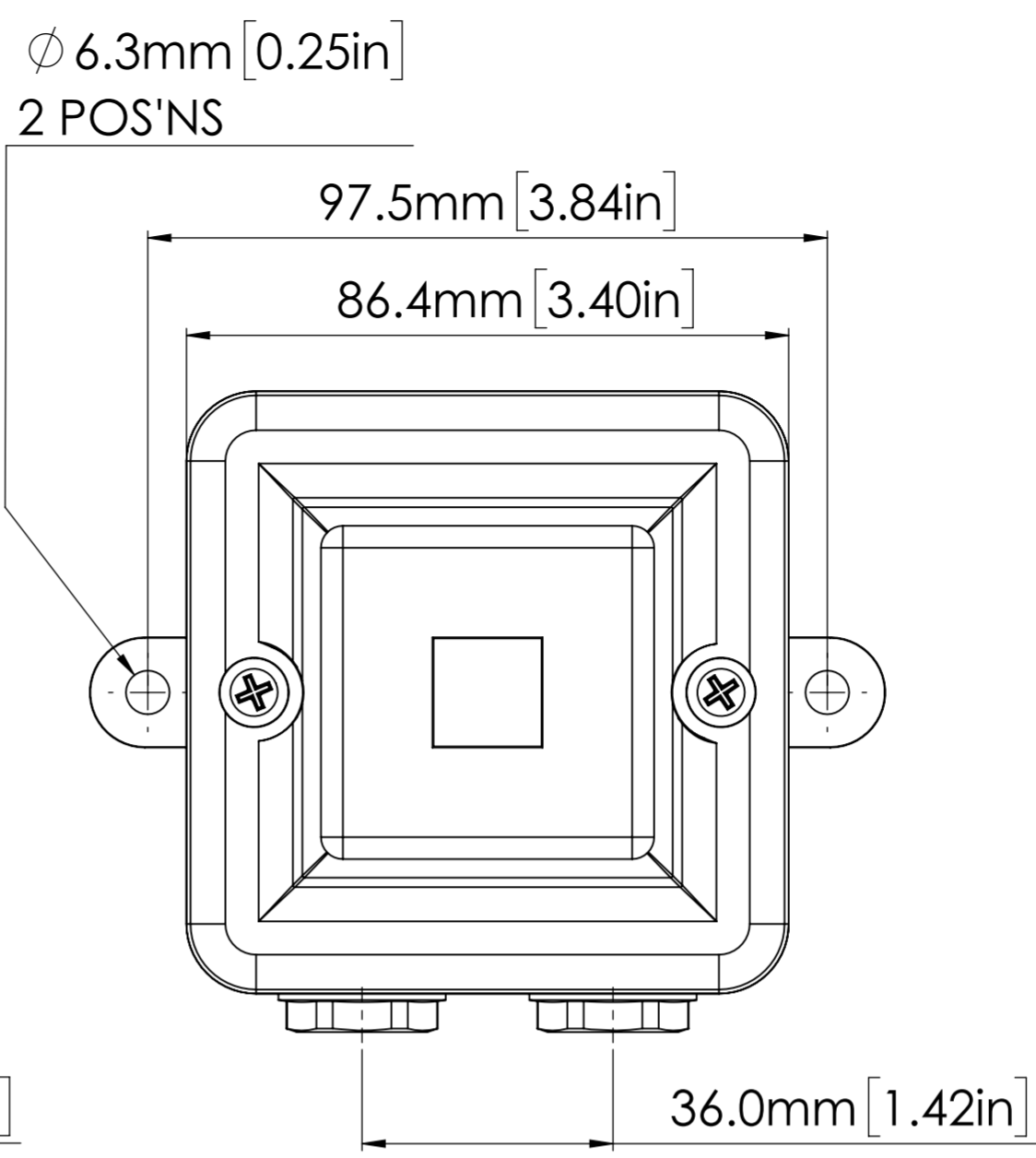
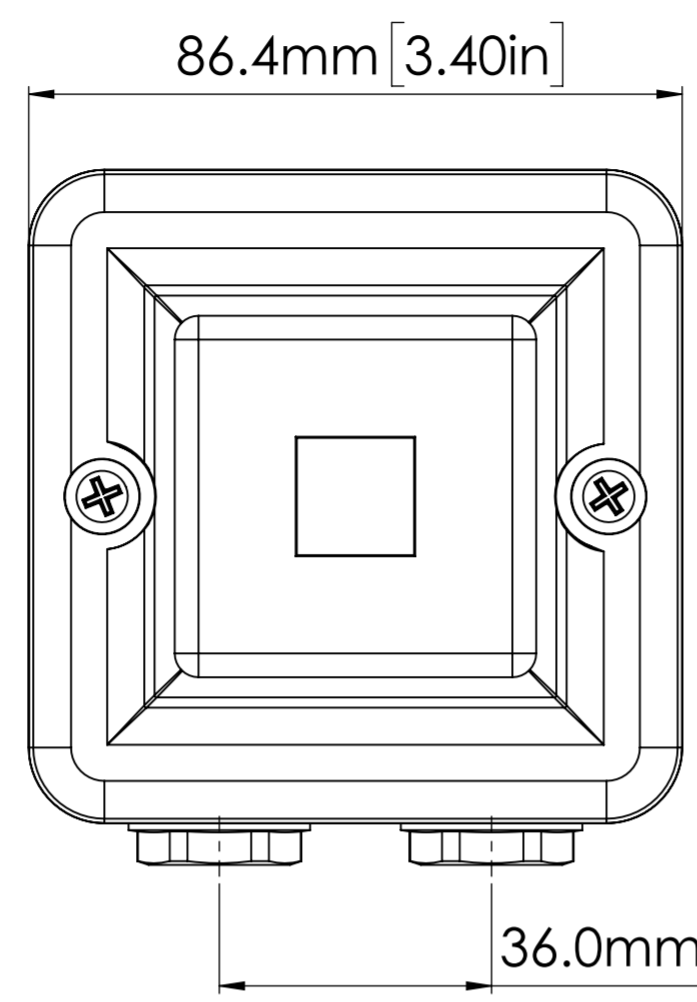
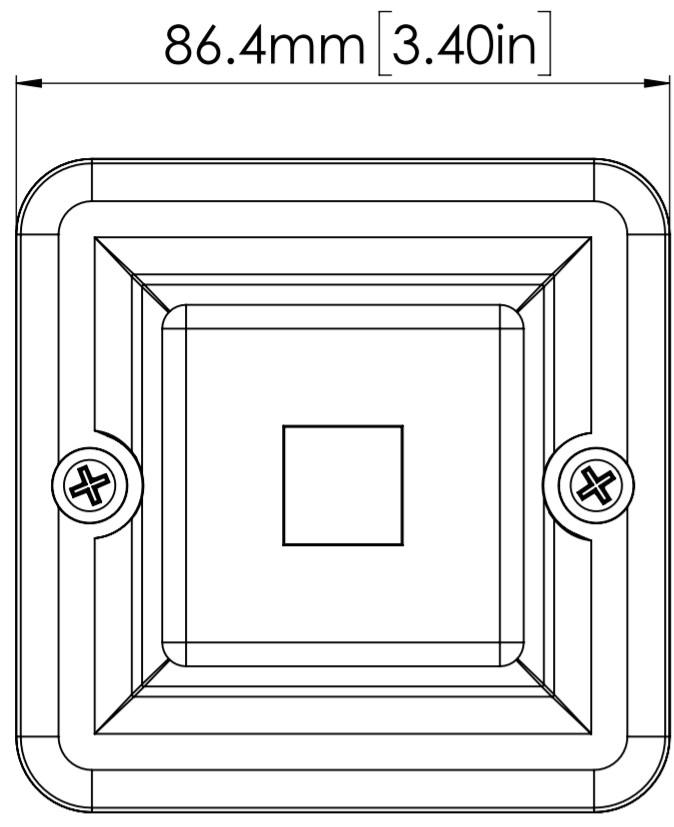


ISSUE	MOD No.	REASON - INITIAL - DATE
A		INTRODUCTION - RSR - 05/05/2021



L101 BACKBOX (B)

SONORA BACKBOX (S)

MULTIPURPOSE BACKBOX (M)

E2S PART NO.	DESCRIPTION	DATA REFERENCE
A100...	A100 SOUNDER	2.21.040

DRAWING TO BS8888:2000 GEOMETRIC TOLERANCES TO ISO1101:1983 LINEAR DIMENSIONAL TOLS ANGULAR DIMENSIONAL TOLS	DRAWN	DATE	SURFACE FINISH FINISH	WEIGHT (kg)	THIS DRAWING AND ANY INFORMATION OR DESCRIPTIVE MATTER THEREIN IS COMMUNICATED IN CONFIDENCE AND IS THE COPYRIGHT PROPERTY OF EUROPEAN SAFETY SYSTEMS LTD. NEITHER THE WHOLE OR ANY EXTRACT MAY BE DISCLOSED, LOANED, COPIED OR USED FOR MANUFACTURING OR TENDERING PURPOSES WITHOUT THEIR WRITTEN CONSENT.	 EUROPEAN SAFETY SYSTEMS LTD IMPRESS HOUSE MANSELL ROAD ACTON LONDON W3 7QH WWW.E2S.COM	ALL DIMENSIONS IN MM IF IN DOUBT, ASK - DO NOT SCALE	 A2
	CHECKED	DATE						
STANDARDS ALERTALARM	APPROVED	DATE	ALTERNATIVE MATERIAL	EUROPEAN SAFETY SYSTEMS LTD. AS PER LATEST DATE OF ISSUE SHOWN ABOVE	 SCALE 1:1	SHEET 1 OF 2	DRAWING NUMBER D218-05-001	
	R.S. RAIT	16/03/2021						B. ISARD