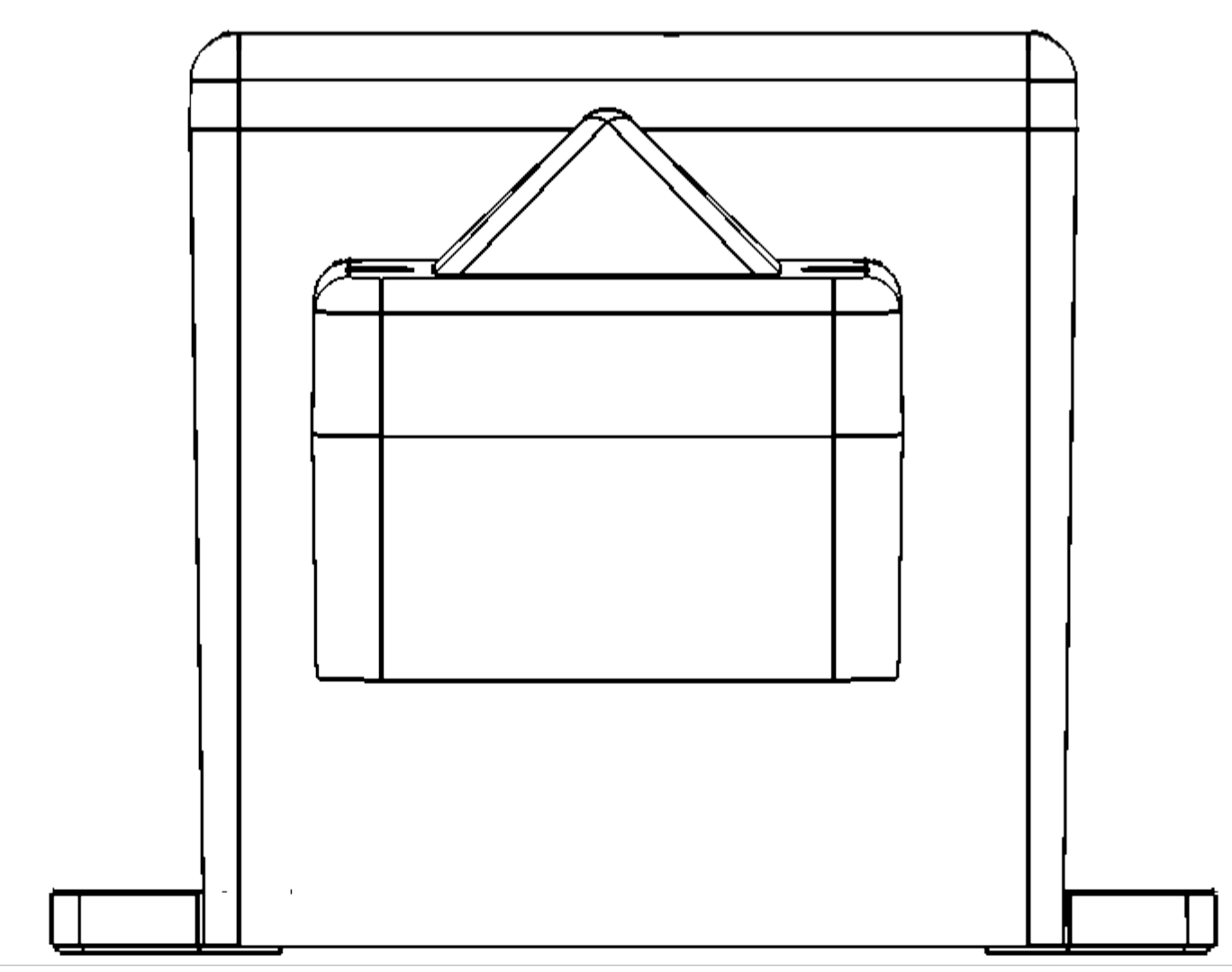
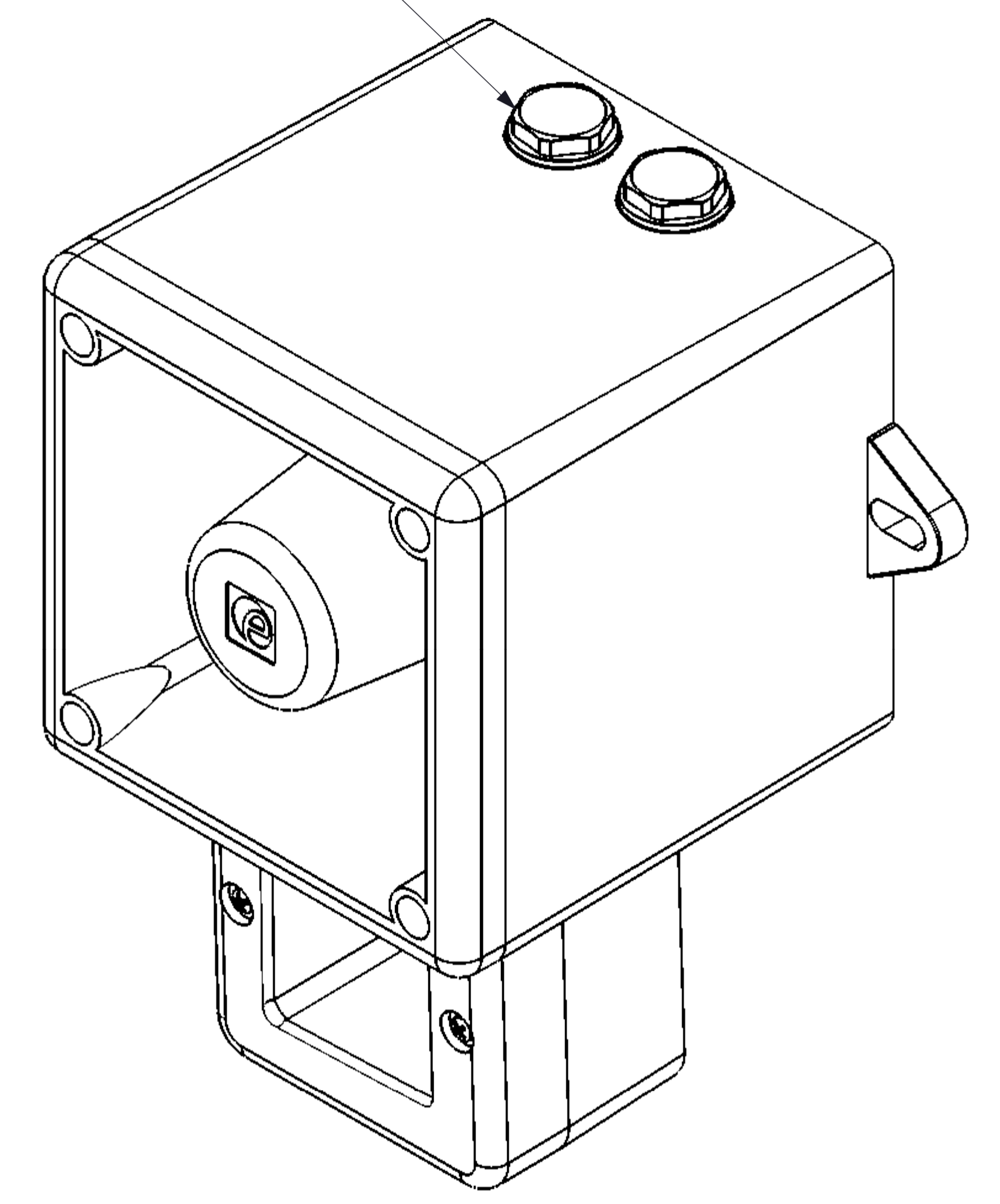


M20 X 1.5mm ENTRIES
2-OFF



E2S PART NO.	DESCRIPTION	DATA REFERENCE
AL105NX...	AL105NX COMBINED SOUNDER XENON	2.31.120
AL105NH...	AL105NH COMBINED SOUNDER LED	2.31.130

DRAWING TO BS888:2000 GEOMETRIC TOLERANCES TO ISO1101:1983 LINEAR DIMENSIONAL TOLS ANGULAR DIMENSIONAL TOLS	DRAWN	DATE	SURFACE FINISH	WEIGHT (kg)	THIS DRAWING AND ANY INFORMATION OR DESCRIPTIVE MATTER THEREIN IS COMMUNICATED IN CONFIDENCE AND IS THE COPYRIGHT PROPERTY OF EUROPEAN SAFETY SYSTEMS LTD. NEITHER THE WHOLE OR ANY EXTRACT MAY BE DISCLOSED, LOANED, COPIED OR USED FOR MANUFACTURING OR TENDERING PURPOSES WITHOUT THEIR WRITTEN CONSENT.	 EUROPEAN SAFETY SYSTEMS LTD IMPRESS HOUSE MANSELL ROAD ACTON LONDON W3 7QH WWW.E2S.COM	ALL DIMENSIONS IN MM IF IN DOUBT, ASK - DO NOT SCALE	 A1	
	CHECKED	DATE	MATERIAL						
STANDARDS ALERTALARM	APPROVED	DATE	ALTERNATIVE MATERIAL		EUROPEAN SAFETY SYSTEMS LTD. AS PER LATEST DATE OF ISSUE SHOWN ABOVE	TITLE AL105N COMBINED SOUNDER BEACON	SCALE	SHEET	DRAWING NUMBER
	R.S. RAIT	16/03/2021					1:1	1 OF 1	D218-05-251