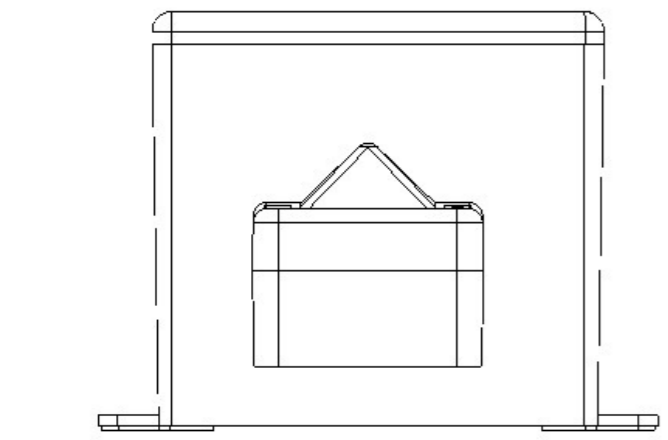
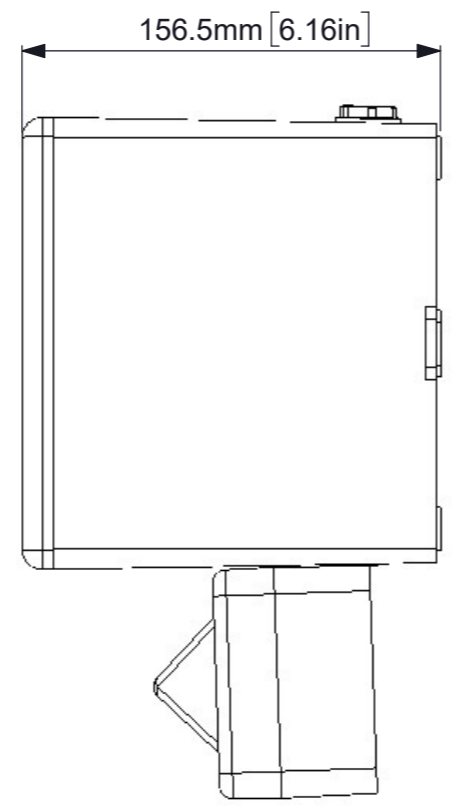
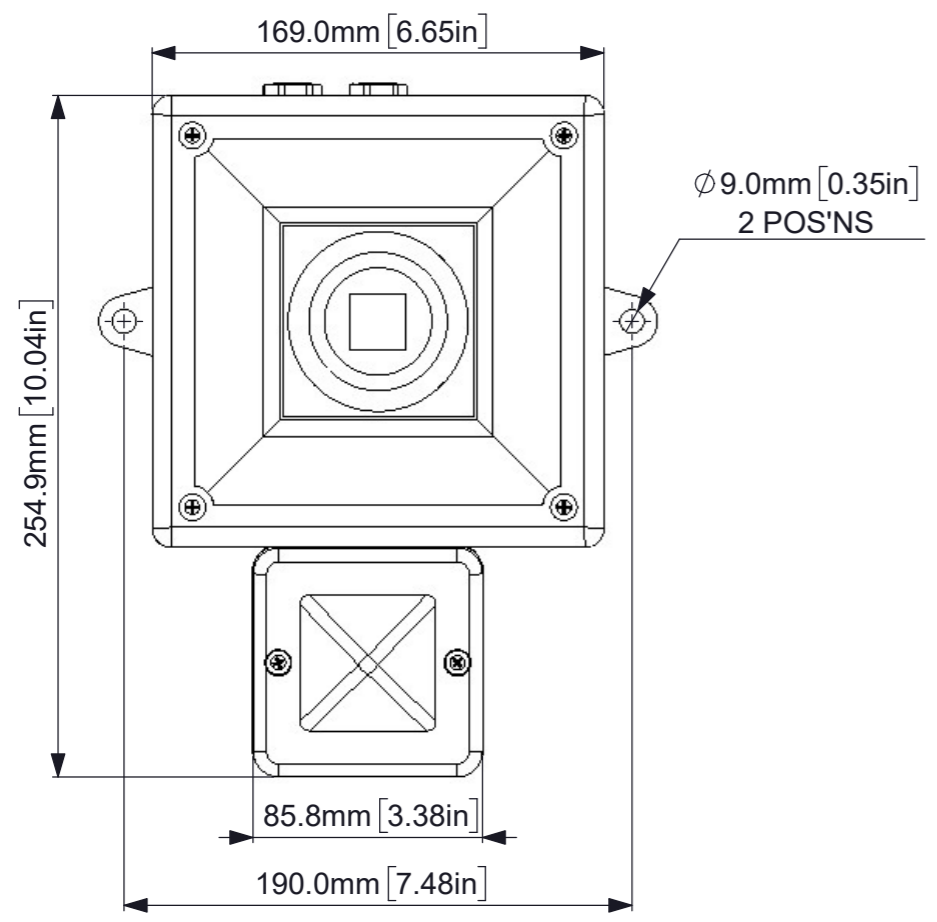
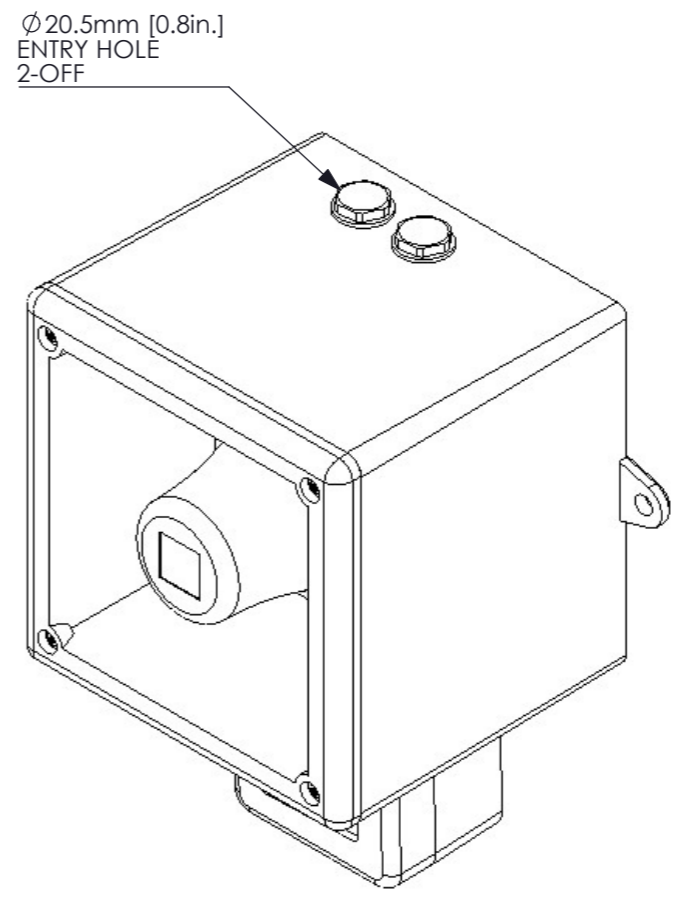
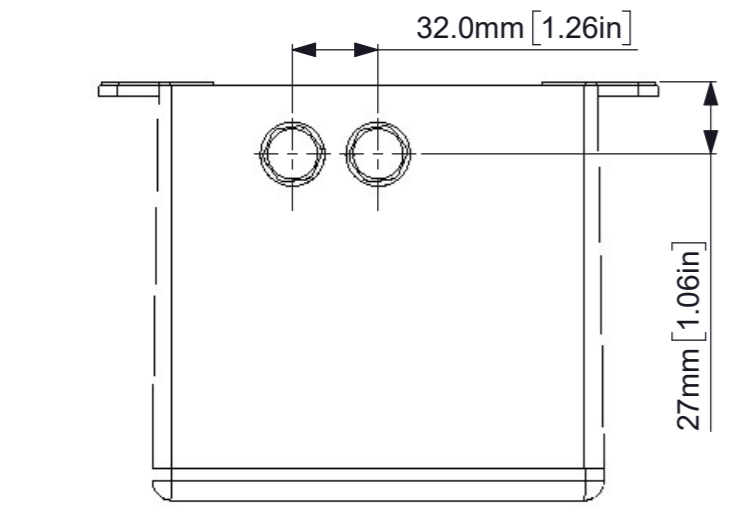


ISSUE	MOD No.	REASON - INITIAL - DATE
1		INTRODUCTION - RSR - 16/03/2021



E2S PART NO.	DESCRIPTION	DATA REFERENCE
AL112NX...	AL112NX COMBINED SOUNDER XENON	2.31.180
AL112NH...	AL112NH COMBINED SOUNDER LED	2.31.190

DRAWING TO BS8888:2000 GEOMETRIC TOLERANCES TO ISO1101:1983 LINEAR DIMENSIONAL TOLS ANGULAR DIMENSIONAL TOLS	DRAWN	DATE	SURFACE FINISH <b>FINISH</b>	WEIGHT (kg)	THIS DRAWING AND ANY INFORMATION OR DESCRIPTIVE MATTER THEREIN IS COMMUNICATED IN CONFIDENCE AND IS THE COPYRIGHT PROPERTY OF EUROPEAN SAFETY SYSTEMS LTD. NEITHER THE WHOLE OR ANY EXTRACT MAY BE DISCLOSED, LOANED, COPIED OR USED FOR MANUFACTURING OR TENDERING PURPOSES WITHOUT THEIR WRITTEN CONSENT.	 EUROPEAN SAFETY SYSTEMS LTD IMPRESS HOUSE MANSELL ROAD ACTON LONDON W3 7QH WWW.E2S.COM	ALL DIMENSIONS IN MM IF IN DOUBT, ASK - DO NOT SCALE		<b>A2</b>
	CHECKED	DATE							
STANDARDS <b>ALERTALARM</b>	APPROVED	DATE	ALTERNATIVE MATERIAL		EUROPEAN SAFETY SYSTEMS LTD. AS PER LATEST DATE OF ISSUE SHOWN ABOVE		TITLE <b>AL112N COMBINED SOUNDER BEACON</b>	SCALE <b>1:1</b>	SHEET <b>1 OF 1</b>