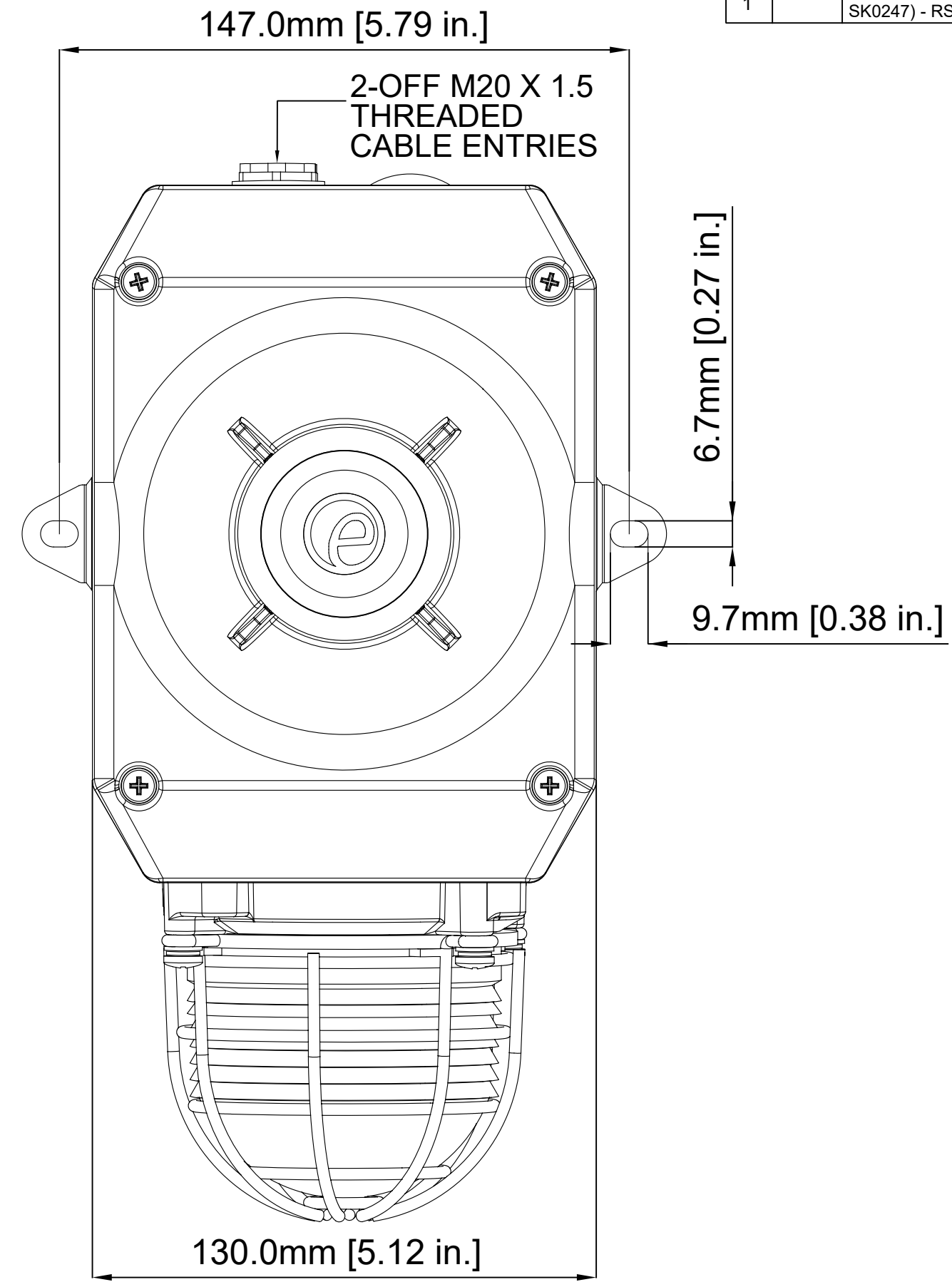
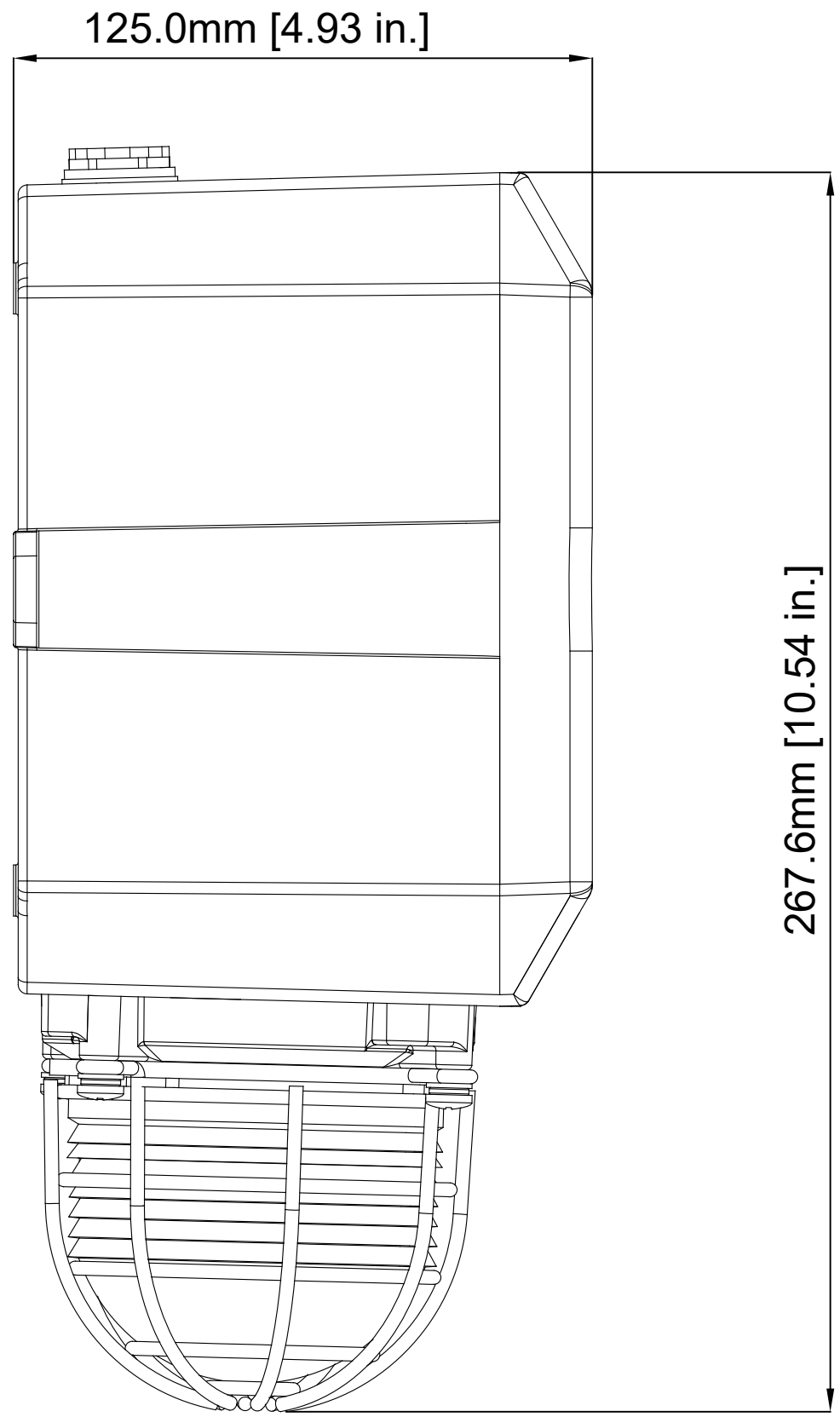


ISSUE	MOD No.	REASON - INITIAL - DATE
1		INTRODUCTION (TAKEN FROM SK0247) - RSR - 13/04/2021



E2S PART NO.	DESCRIPTION	DATA REFERENCE
DL105AXH...	DL105AXH APPELLO X RECORDABLE SOUNDER & LED BEACON	2.32.040
DL105AXX...	DL105AXX APPELLO X RECORDABLE SOUNDER & XENON BEACON	2.32.030
DL105H...	DL105H ALARM SOUNDER & LED BEACON	2.31.370
DL105X...	DL105X ALARM SOUNDER AND XENON BEACON	2.31.360
DL112H...	DL112H ALARM SOUNDER & LED BEACON	2.31.390
DL112X...	DL112X ALARM SOUNDER & XENON BEACON	2.31.380
IS-D105L...	DL105L INTRINSICALLY SAFE ALARM SOUNDER & LED BEACON	1.13.030

WHERE APPLICABLE UL VERSIONS ARE COVERED BY THIS OUTLINE DRAWING.

DRAWING TO BS8888:2000  
 GEOMETRIC TOLERANCES TO ISO1101:1983  
 LINEAR DIMENSIONAL TOLS  
 ANGULAR DIMENSIONAL TOLS

DRAWN	DATE
R.S.RAIT	13/04/2021
CHECKED	DATE
B.ISARD	13/04/2021
APPROVED	DATE
R.N.POTTS	13/04/2021

STANDARDS
D RANGE METAL SOUNDERS

SURFACE FINISH	WEIGHT (Kg)
FINISH	
MATERIAL	
ALTERNATIVE MATERIAL	

THIS DRAWING AND ANY INFORMATION OR DESCRIPTIVE MATTER THEREIN IS COMMUNICATED IN CONFIDENCE AND IS THE COPYRIGHT PROPERTY OF EUROPEAN SAFETY SYSTEMS LTD. NEITHER THE WHOLE OR ANY EXTRACT MAY BE DISCLOSED, LOANED, COPIED OR USED FOR MANUFACTURING OR TENDERING PURPOSES WITHOUT THEIR WRITTEN CONSENT.

© EUROPEAN SAFETY SYSTEMS LTD. AS PER LATEST DATE OF ISSUE SHOWN ABOVE

EUROPEAN SAFETY SYSTEMS LTD  
 IMPRESS HOUSE  
 MANSELL ROAD  
 ACTON  
 LONDON W3 7QH  
 WWW.E2S.COM

ALL DIMENSIONS IN MM IF IN DOUBT, ASK - DO NOT SCALE		A2
TITLE D RANGE METAL SOUNDER/BEACON OUTLINE		
SCALE 1:1	SHEET 1 OF 1	DRAWING NUMBER SK0247