

ISSUE	MOD No.	REASON - INITIAL - DATE
A		INTRODUCTION RSR - 16/03/2021

----- WIRING LINKING BEACON & SOUNDER
FACTORY FITTED

SWITCHES FOR STAGE OPERATION
CUSTOMER SUPPLIED

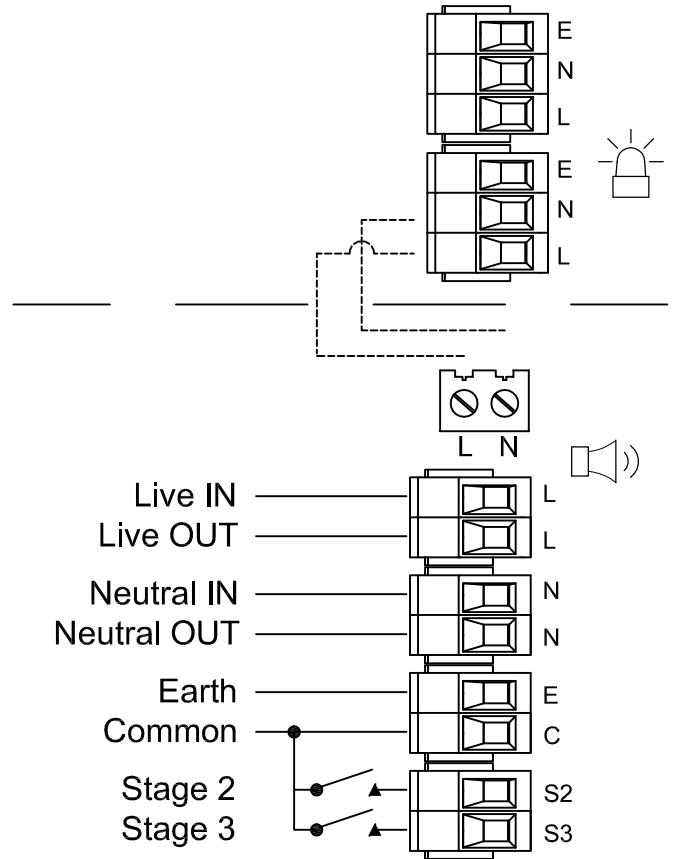
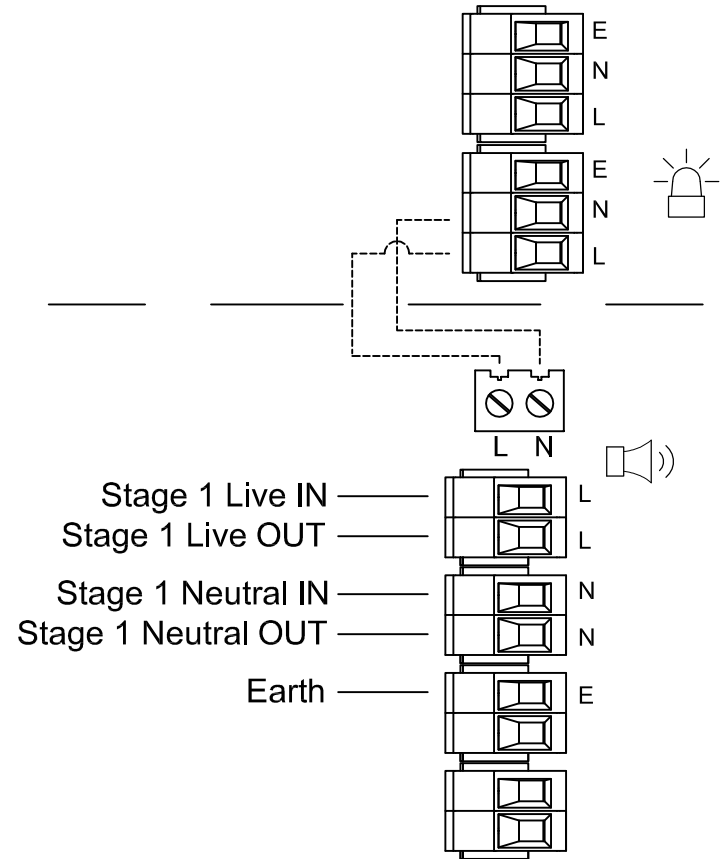
Linked Sounder & Beacon Activation (Default)

Single Stage Configuration Config.: 1a

Three/Four Stage Configuration Config.: 1b

Stage 1: Apply Power to Stage 1 Live & Stage 1 Neutral

Stage 1: Apply Power to Live & Neutral
Stage 2: Apply Power to Live & Neutral & connect Stage 2 to Common
Stage 3: Apply Power to Live & Neutral & connect Stage 3 to Common



DRAWING TO BS8888:2000 GEOMETRIC TOLERANCES TO ISO1101:1983 LINEAR DIMENSIONAL TOLS ANGULAR DIMENSIONAL TOLS	DRAWN	DATE
	R.S.RAIT	16/03/2021
STANDARDS ALERTALARM RANGE	CHECKED	DATE
	B.ISARD	16/03/2021
	APPROVED	DATE
R.N.POTTS	16/03/2021	

SURFACE FINISH	WEIGHT (Kg)
MATERIAL	
ALTERNATIVE MATERIAL	

DRAWING TO BS8888:2000 GEOMETRIC TOLERANCES TO ISO1101:1983 LINEAR DIMENSIONAL TOLS ANGULAR DIMENSIONAL TOLS	DRAWN	DATE
R.S.RAIT	16/03/2021	
CHECKED	DATE	
B.ISARD	16/03/2021	
APPROVED	DATE	
R.N.POTTS	16/03/2021	

THIS DRAWING AND ANY INFORMATION OR DESCRIPTIVE MATTER THEREIN IS COMMUNICATED IN CONFIDENCE AND IS THE COPYRIGHT PROPERTY OF EUROPEAN SAFETY SYSTEMS LTD. NEITHER THE WHOLE OR ANY EXTRACT MAY BE DISCLOSED, LOANED, COPIED OR USED FOR MANUFACTURING OR TENDERING PURPOSES WITHOUT THEIR WRITTEN CONSENT.

© EUROPEAN SAFETY SYSTEMS LTD.
AS PER LATEST DATE OF ISSUE SHOWN ABOVE

@2S
warning signals

EUROPEAN SAFETY SYSTEMS LTD
IMPRESS HOUSE
MANSELL ROAD
ACTON
LONDON W3 7QH
WWW.E2S.COM

ALL DIMENSIONS IN MM IF IN DOUBT, ASK - DO NOT SCALE		A3
TITLE AL112NX & AL121X COMBINED SOUNDER & XENON WIRING DIAGRAMS		
SCALE	SHEET	DRAWING NUMBER
NTS	1 OF 2	D221-06-205

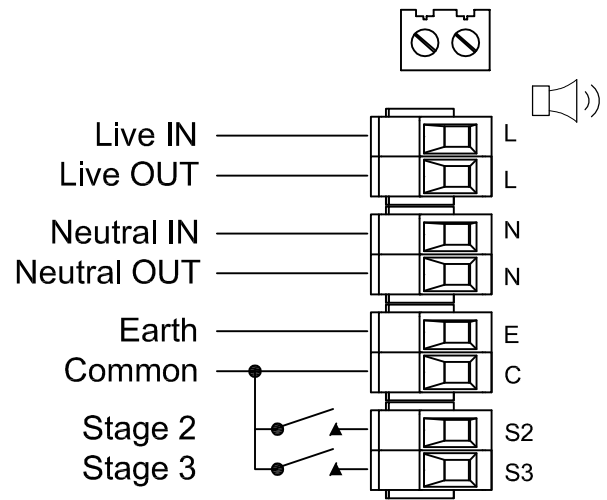
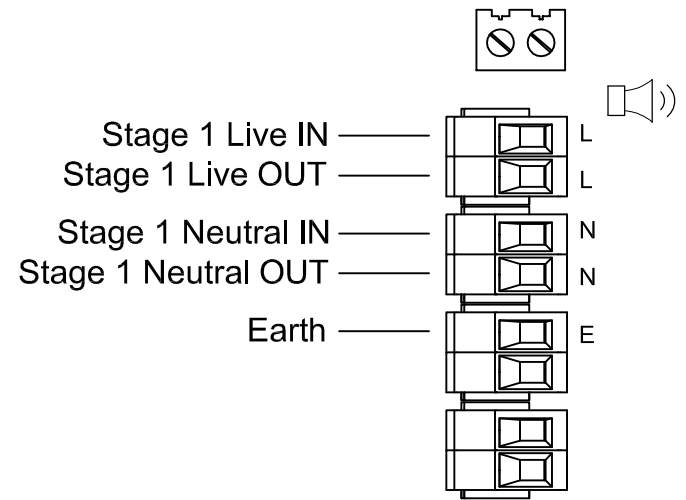
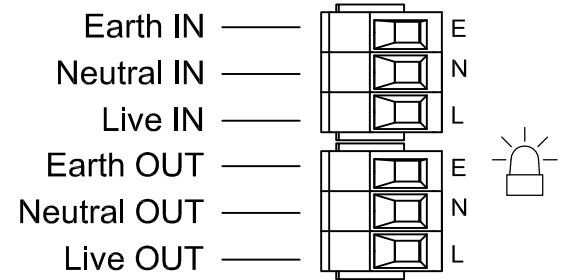
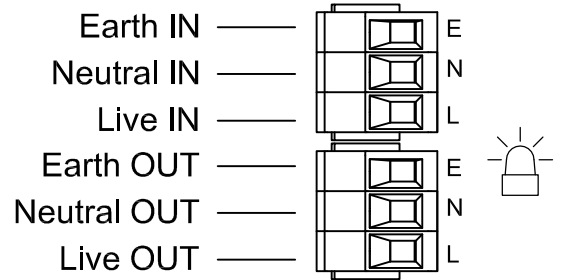
ISSUE	MOD No.	REASON - INITIAL - DATE
A		INTRODUCTION RSR - 16/03/2021



Independent Sounder & Beacon Activation (Remove Link Wires)

Single Stage Configuration Config.: 2a Three/Four Stage Configuration Config.: 2b

Stage 1: Apply Power to Stage 1 Live & Stage 1 Neutral Stage 1: Apply Power to Live & Neutral
Stage 2: Apply Power to Live & Neutral & connect Stage 2 to Common
Stage 3: Apply Power to Live & Neutral & connect Stage 3 to Common



STANDARDS	DRAWING TO BS8888:2000 GEOMETRIC TOLERANCES TO ISO1101:1983 LINEAR DIMENSIONAL TOLS ANGULAR DIMENSIONAL TOLS
	ALERTALARM RANGE

DRAWN	DATE
R.S.RAIT	16/03/2021
CHECKED	DATE
B.ISARD	16/03/2021
APPROVED	DATE
R.N.POTTS	16/03/2021

SURFACE FINISH	WEIGHT (Kg)
MATERIAL	
ALTERNATIVE MATERIAL	

THIS DRAWING AND ANY INFORMATION OR DESCRIPTIVE MATTER THEREIN IS COMMUNICATED IN CONFIDENCE AND IS THE COPYRIGHT PROPERTY OF EUROPEAN SAFETY SYSTEMS LTD. NEITHER THE WHOLE OR ANY EXTRACT MAY BE DISCLOSED, LOANED, COPIED OR USED FOR MANUFACTURING OR TENDERING PURPOSES WITHOUT THEIR WRITTEN CONSENT.

© EUROPEAN SAFETY SYSTEMS LTD. AS PER LATEST DATE OF ISSUE SHOWN ABOVE

ALL DIMENSIONS IN MM IF IN DOUBT, ASK - DO NOT SCALE		A3
TITLE AL112NX & AL121X COMBINED SOUNDER & XENON WIRING DIAGRAMS		
SCALE	SHEET	DRAWING NUMBER
NTS	2 OF 2	D221-06-205