

1	2	3	4	5	6	7	8	9	10
							ISSUE	MOD No.	REASON - INITIAL - DATE
							A		INTRODUCTION DH - 05/03/2021

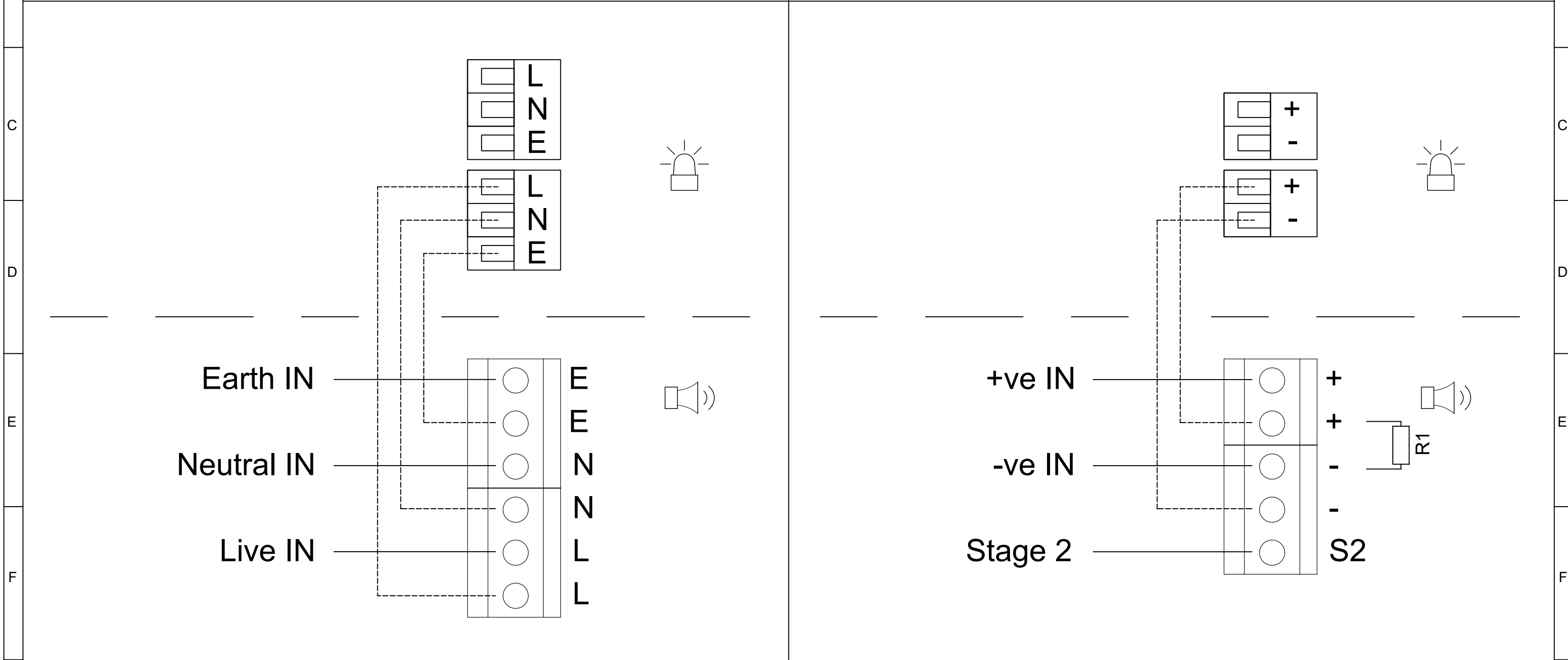
----- WIRING LINKING BEACON & SOUNDER
FACTORY FITTED

(DC ONLY) OPTIONAL LINE MONITORING RESISTOR, CUSTOMER SUPPLIED,
RECOMMENDED MINIMUM VALUES:
14V MAX SYSTEM = 120Ω MIN, 2W MIN OR 1KΩ MIN, 0.5W MIN
28V MAX SYSTEM = 470Ω MIN, 2W MIN OR 2.4KΩ MIN, 0.5W MIN

Linked Sounder & Beacon Activation (Default)

SONFL1X	AC Wiring Std. Config.	Config.: 1a	SONFL1X / SONFL1X-HO	DC Wiring Std. Config.	Config.: 1b
---------	------------------------	-------------	----------------------	------------------------	-------------

Power: Live, Neutral, Earth	Beacon Pre-wired as default	Power: +ve & -ve	Beacon Pre-wired as default
		Stage 1: Apply Power to +ve & -ve	
		Stage 2: Apply Power to +ve & -ve & connect Stage 2 to -ve	



DRAWING TO BS8888:2000 GEOMETRIC TOLERANCES TO ISO1101:1983 LINEAR DIMENSIONAL TOLS ANGULAR DIMENSIONAL TOLS	DRAWN D.HOWGILL	DATE 05/03/2021	SURFACE FINISH	WEIGHT (Kg)	THIS DRAWING AND ANY INFORMATION OR DESCRIPTIVE MATTER THEREIN IS COMMUNICATED IN CONFIDENCE AND IS THE COPYRIGHT PROPERTY OF EUROPEAN SAFETY SYSTEMS LTD. NEITHER THE WHOLE OR ANY EXTRACT MAY BE DISCLOSED, LOANED, COPIED OR USED FOR MANUFACTURING OR TENDERING PURPOSES WITHOUT THEIR WRITTEN CONSENT.	 EUROPEAN SAFETY SYSTEMS LTD IMPRESS HOUSE MANSELL ROAD ACTON LONDON W3 7QH WWW.E2S.COM	ALL DIMENSIONS IN MM IF IN DOUBT, ASK - DO NOT SCALE		A3		
	STANDARDS SONFL1	CHECKED B.ISARD	DATE 05/03/2021	MATERIAL			TITLE SONFL1X (AC/DC) & SONFL1X-HO (DC) WIRING DIAGRAMS	SCALE NTS	SHEET 1 OF 2	DRAWING NUMBER D242-06-501	
		APPROVED R.N.POTTS	DATE 05/03/2021	ALTERNATIVE MATERIAL			EUROPEAN SAFETY SYSTEMS LTD. AS PER LATEST DATE OF ISSUE SHOWN ABOVE				

1	2	3	4	5	6	7	8	9	10
							ISSUE	MOD No.	REASON - INITIAL - DATE
							A		INTRODUCTION DH - 05/03/2021

FOR INDEPENDENT SOUNDER AND BEACON OPERATION, REMOVE LINK WIRES

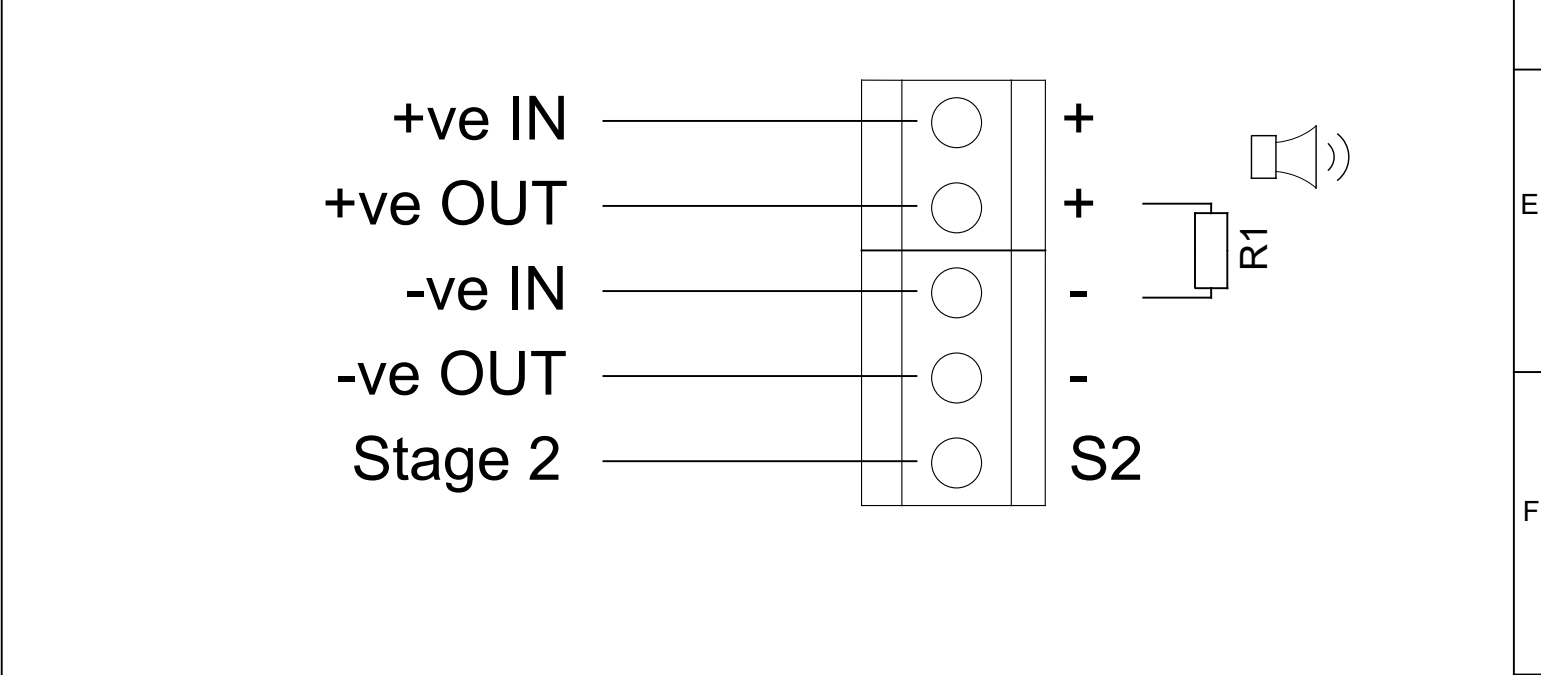
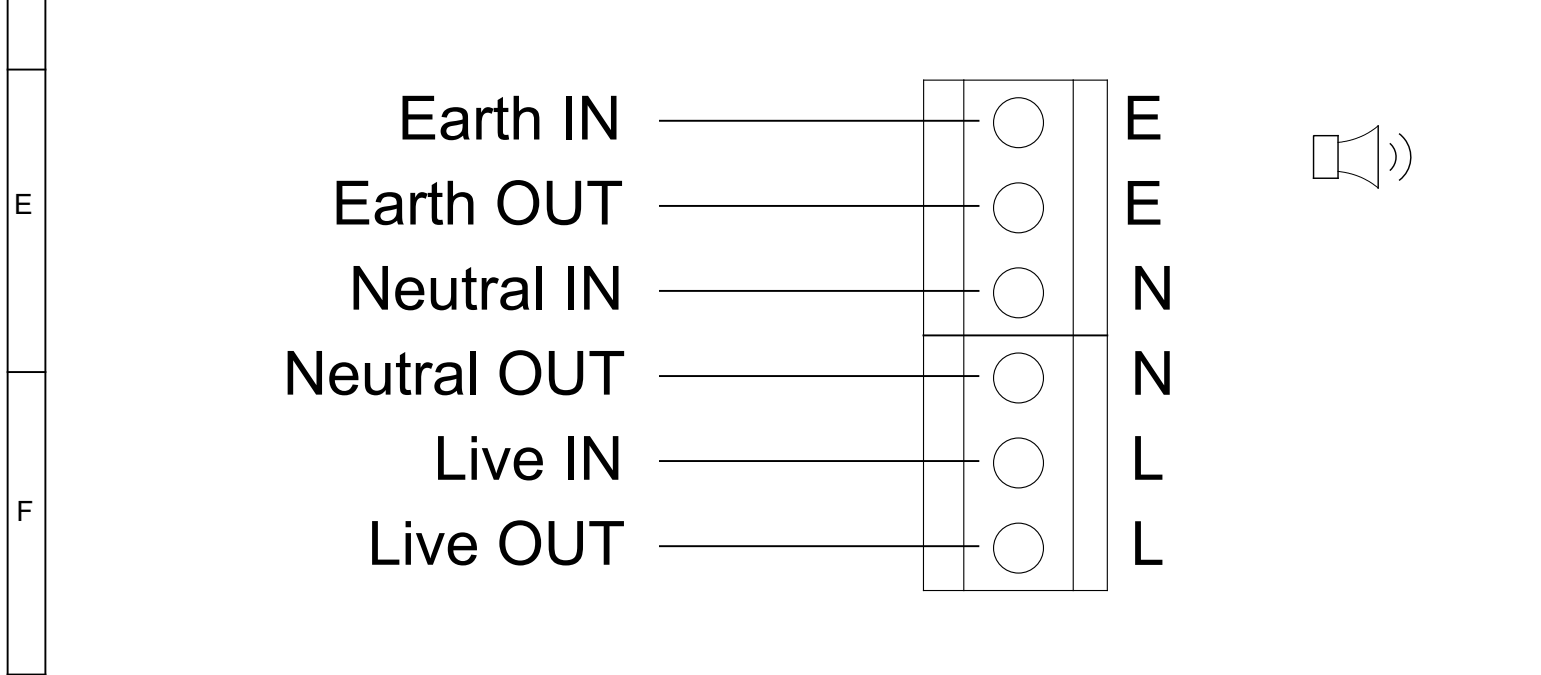
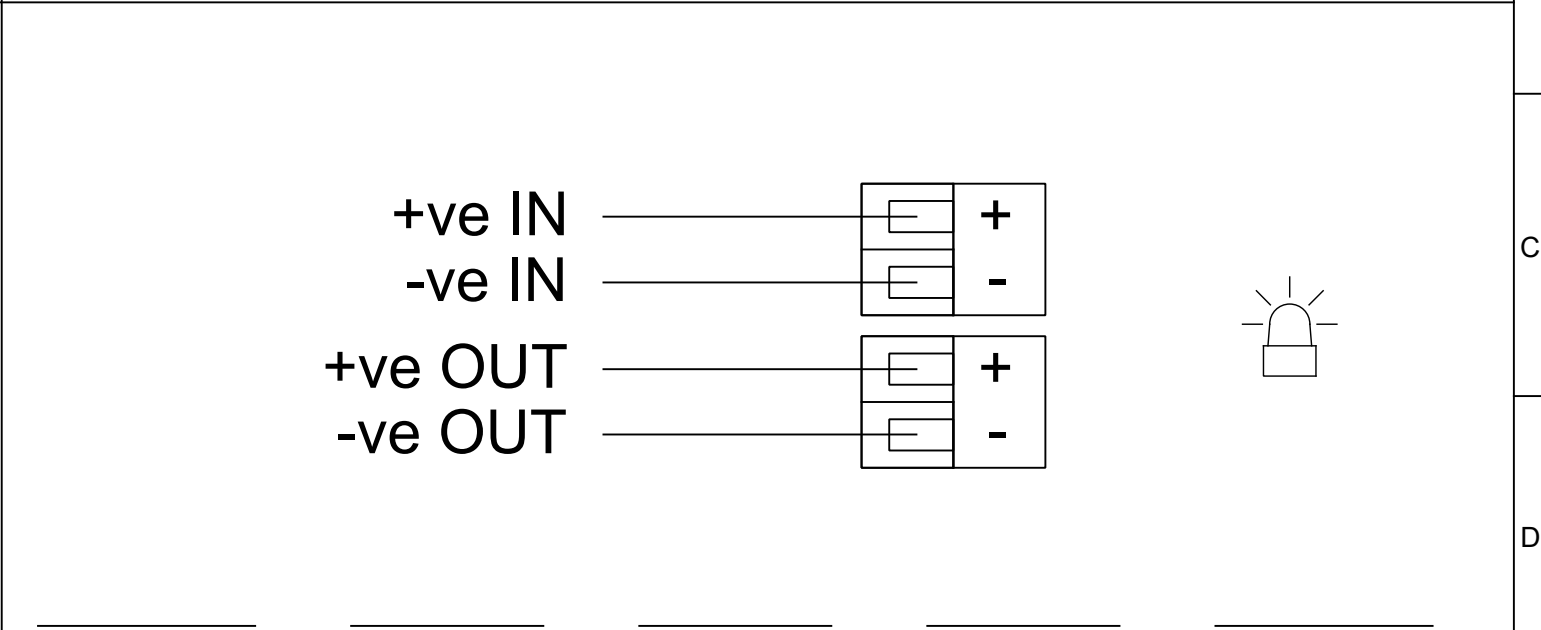
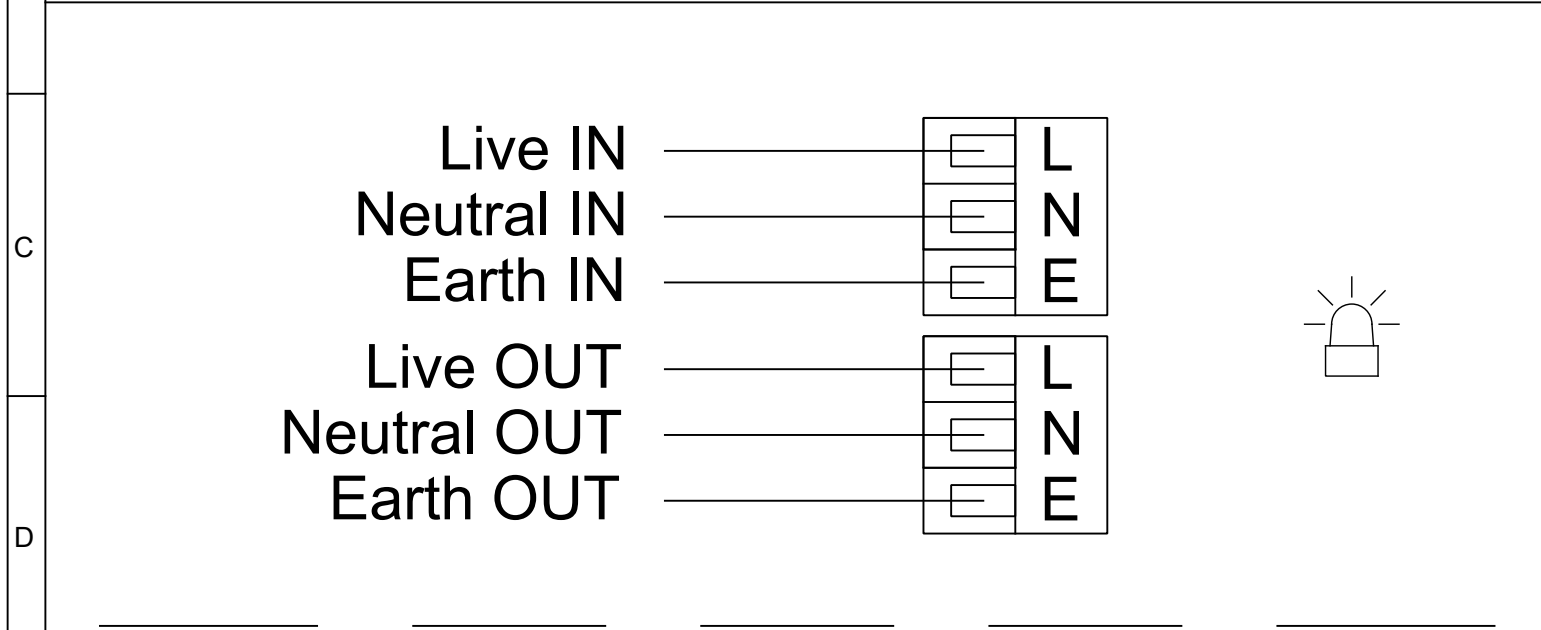
(DC ONLY) OPTIONAL LINE MONITORING RESISTOR, CUSTOMER SUPPLIED, RECOMMENDED MINIMUM VALUES:
 14V MAX SYSTEM = 120Ω MIN, 2W MIN OR 1KΩ MIN, 0.5W MIN
 28V MAX SYSTEM = 470Ω MIN, 2W MIN OR 2.4KΩ MIN, 0.5W MIN

Independent Sounder & Beacon Activation (Remove Link Wires)

SONFL1X	AC Wiring Independent Config.	Config.: 2a	SONFL1X / SONFL1X-HO	DC Wiring Independent Config.	Config.: 2b
---------	-------------------------------	-------------	----------------------	-------------------------------	-------------

Power: Live, Neutral, Earth

Power: +ve & -ve
 Stage 1: Apply Power to +ve & -ve
 Stage 2: Apply Power to +ve & -ve & connect Stage 2 to -ve



DRAWING TO BS8888:2000 GEOMETRIC TOLERANCES TO ISO1101:1983 LINEAR DIMENSIONAL TOLS ANGULAR DIMENSIONAL TOLS	DRAWN D.HOWGILL	DATE 05/03/2021	SURFACE FINISH	WEIGHT (Kg)	THIS DRAWING AND ANY INFORMATION OR DESCRIPTIVE MATTER THEREIN IS COMMUNICATED IN CONFIDENCE AND IS THE COPYRIGHT PROPERTY OF EUROPEAN SAFETY SYSTEMS LTD. NEITHER THE WHOLE OR ANY EXTRACT MAY BE DISCLOSED, LOANED, COPIED OR USED FOR MANUFACTURING OR TENDERING PURPOSES WITHOUT THEIR WRITTEN CONSENT. © EUROPEAN SAFETY SYSTEMS LTD. AS PER LATEST DATE OF ISSUE SHOWN ABOVE	EUROPEAN SAFETY SYSTEMS LTD IMPRESS HOUSE MANSELL ROAD ACTON LONDON W3 7QH WWW.E2S.COM	ALL DIMENSIONS IN MM IF IN DOUBT, ASK - DO NOT SCALE			A3	
	CHECKED B.ISARD	DATE 05/03/2021	MATERIAL				TITLE SONFL1X (AC/DC) & SONFL1X-HO (DC) WIRING DIAGRAMS	SCALE NTS	SHEET 2 OF 2	DRAWING NUMBER D242-06-501	
	STANDARDS SONFL1	APPROVED R.N.POTTS	DATE 05/03/2021	ALTERNATIVE MATERIAL							