

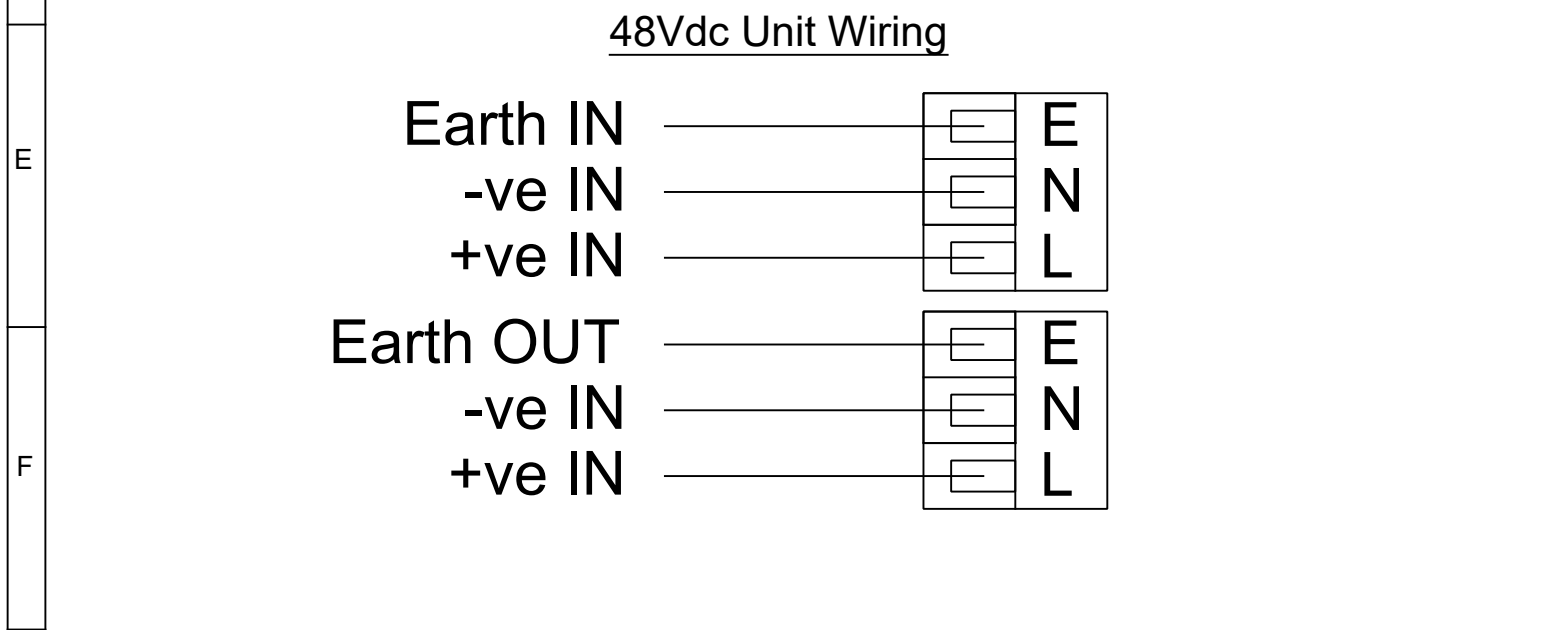
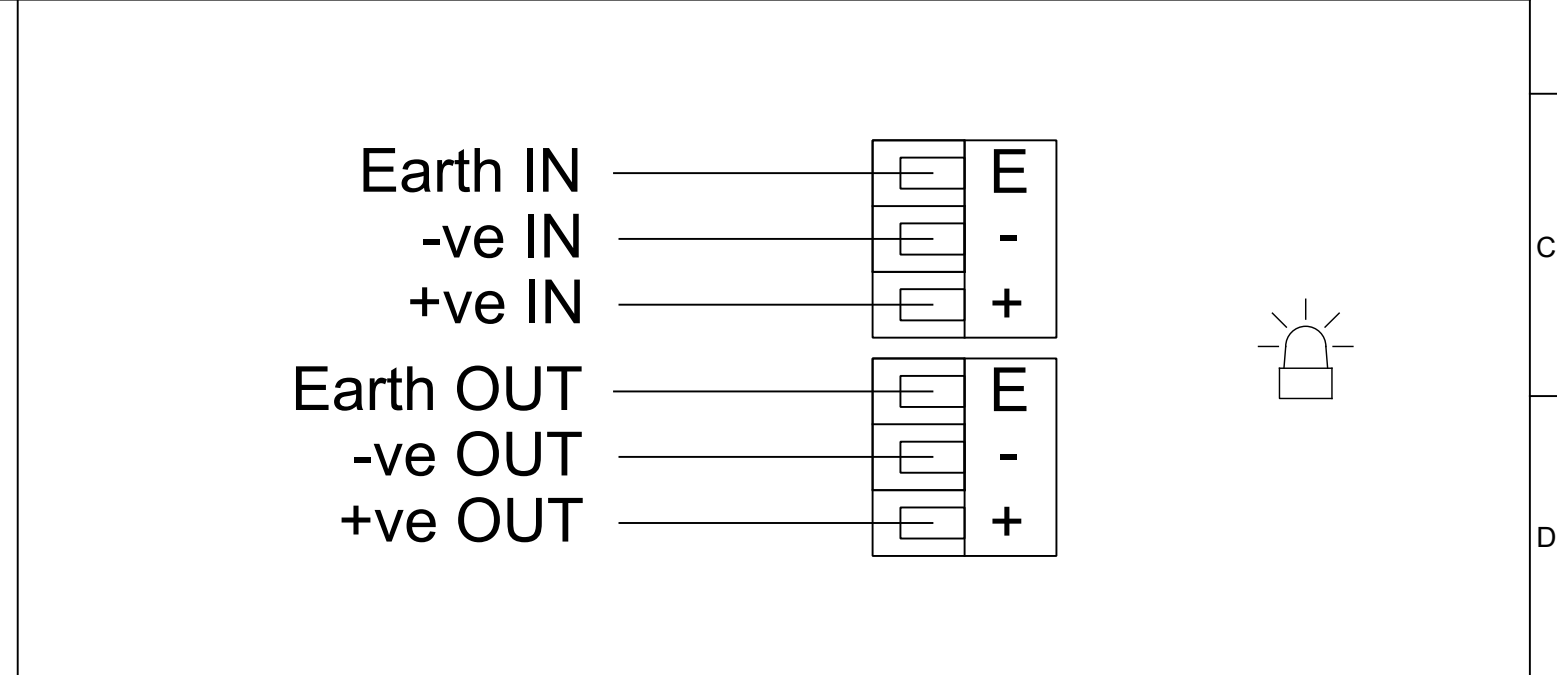
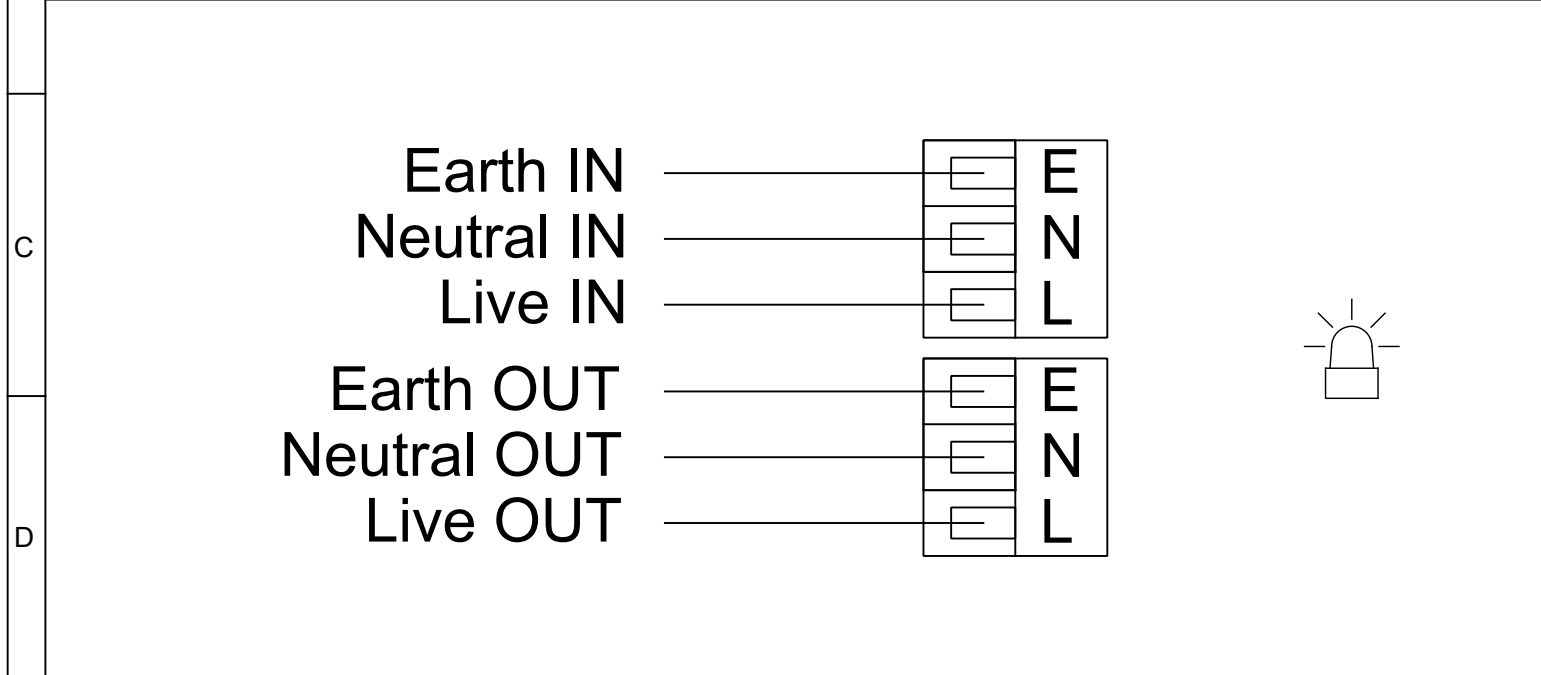
| | | | | | | | | | |
|---|---|---|---|---|---|---|-------|---------|---------------------------------|
| 1 | 2 | 3 | 4 | 5 | 6 | 7 | 8 | 9 | 10 |
| | | | | | | | ISSUE | MOD No. | REASON - INITIAL - DATE |
| | | | | | | | A | | INTRODUCTION DH - 05/03/2021 |

AC & DC Beacon Activation

| | | | | | |
|-------|-------------------|-------------|-------|-------------------|-------------|
| L101H | AC Wiring Config. | Config.: 1a | L101H | DC Wiring Config. | Config.: 1b |
|-------|-------------------|-------------|-------|-------------------|-------------|

Power: Live, Neutral, Earth
L101HAC230 at 115Vac / 230Vac
L101HAC230 at 48Vdc

Power: +ve & -ve
L101HDC024 at 24Vdc / 12Vdc



| | | | | | | | | | | | |
|---|--------------------|-----------------------|--------------------|----------------------|---|---|---|--------------|-----------------|-------------------------------|--|
| DRAWING TO BS8888:2000 GEOMETRIC TOLERANCES TO ISO1101:1983 LINEAR DIMENSIONAL TOLS ANGULAR DIMENSIONAL TOLS | DRAWN D.HOWGILL | DATE 05/03/2021 | SURFACE FINISH | WEIGHT (Kg) | THIS DRAWING AND ANY INFORMATION OR DESCRIPTIVE MATTER THEREIN IS COMMUNICATED IN CONFIDENCE AND IS THE COPYRIGHT PROPERTY OF EUROPEAN SAFETY SYSTEMS LTD. NEITHER THE WHOLE OR ANY EXTRACT MAY BE DISCLOSED, LOANED, COPIED OR USED FOR MANUFACTURING OR TENDERING PURPOSES WITHOUT THEIR WRITTEN CONSENT. | EUROPEAN SAFETY SYSTEMS LTD IMPRESS HOUSE MANSELL ROAD ACTON LONDON W3 7QH WWW.E2S.COM | ALL DIMENSIONS IN MM IF IN DOUBT, ASK - DO NOT SCALE | | A3 | | |
| | STANDARDS L101H | CHECKED B.ISARD | DATE 05/03/2021 | MATERIAL | | | TITLE L101H (AC/DC) WIRING DIAGRAMS | SCALE NTS | SHEET 1 OF 1 | DRAWING NUMBER D228-06-001 | |
| | | APPROVED R.N.POTTS | DATE 05/03/2021 | ALTERNATIVE MATERIAL | | | EUROPEAN SAFETY SYSTEMS LTD. AS PER LATEST DATE OF ISSUE SHOWN ABOVE | | | | |