

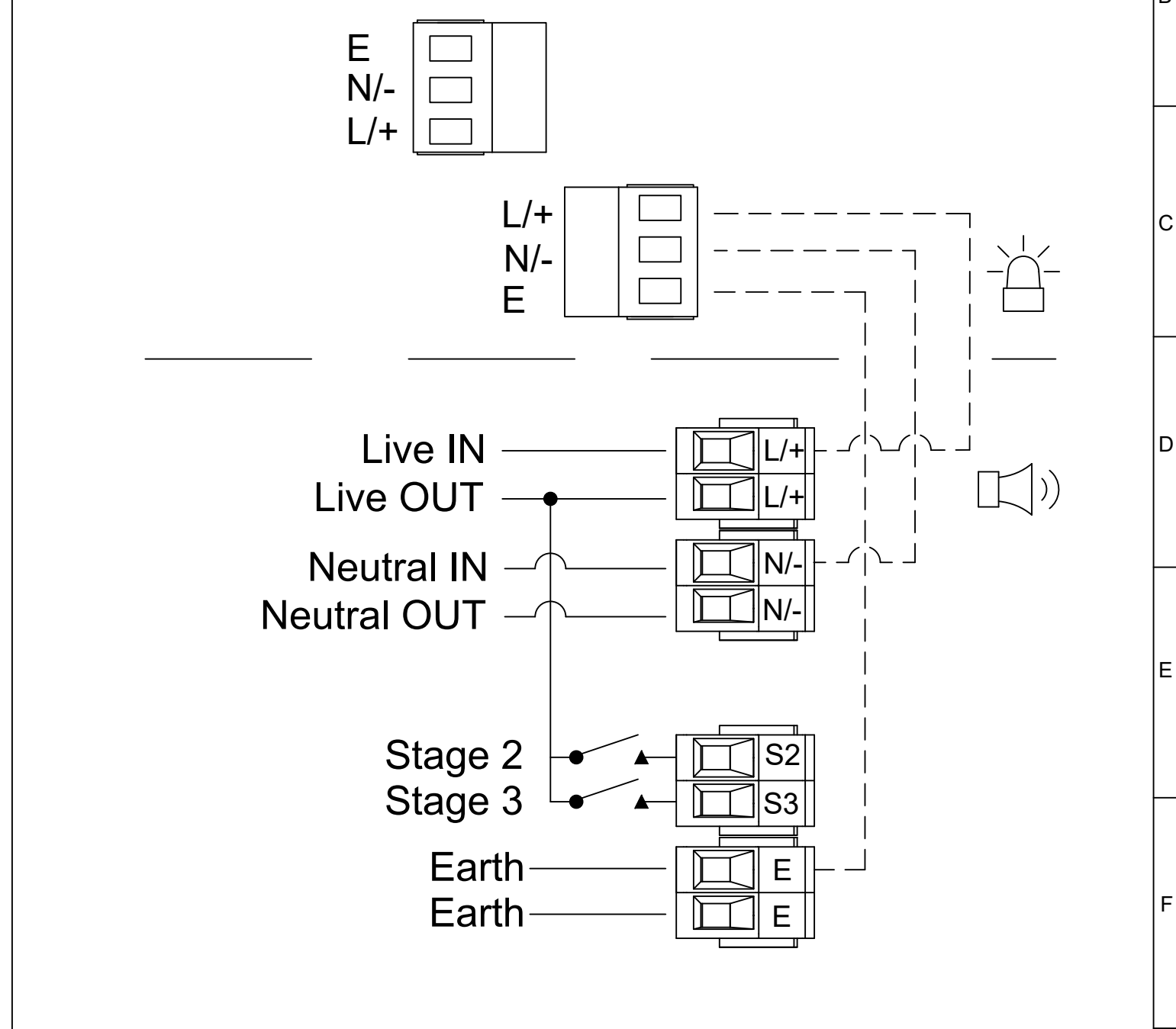
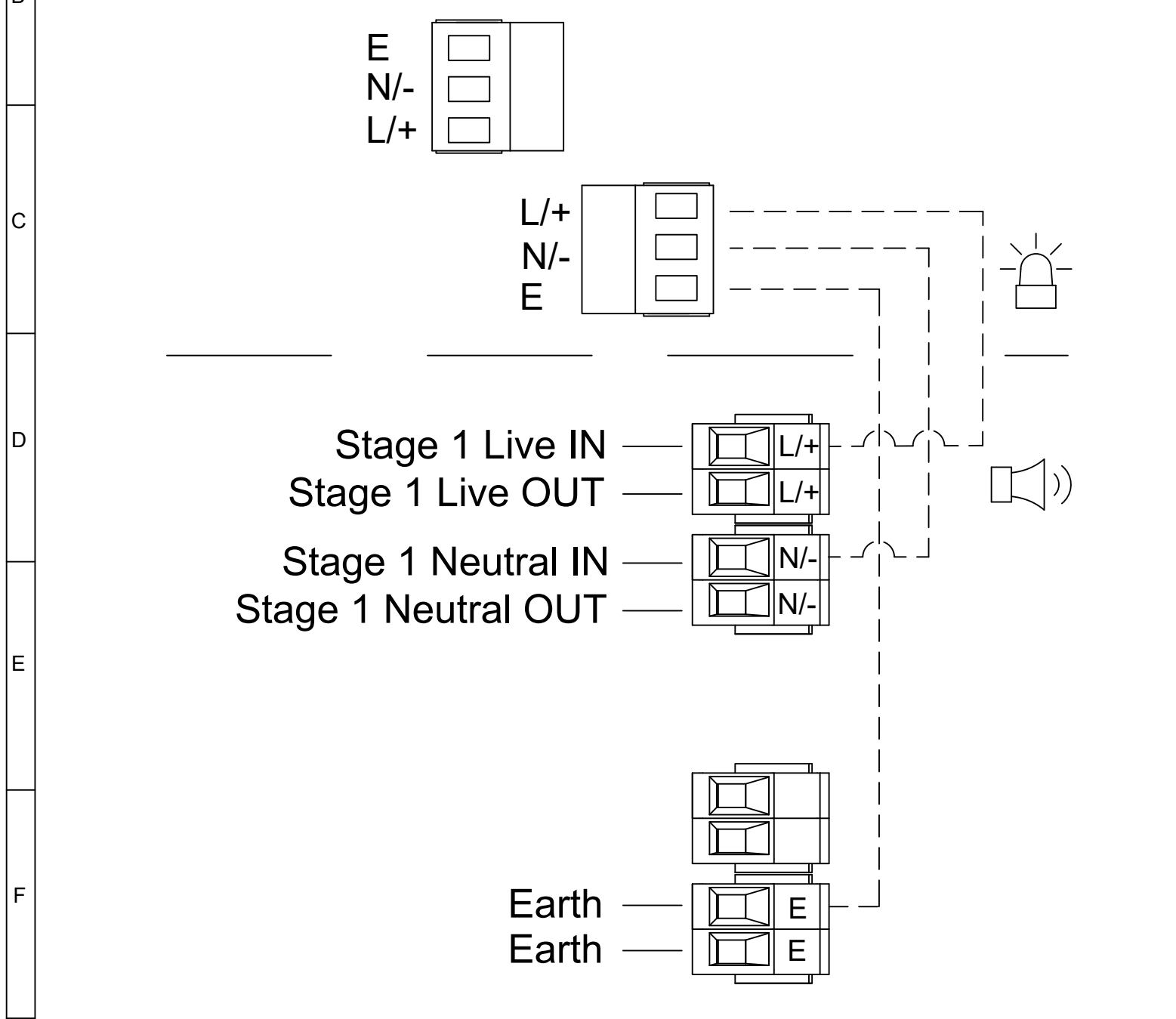
|   |   |   |   |   |   |   |       |         |                                  |
|---|---|---|---|---|---|---|-------|---------|----------------------------------|
| 1 | 2 | 3 | 4 | 5 | 6 | 7 | 8     | 9       | 10                               |
|   |   |   |   |   |   |   | ISSUE | MOD No. | REASON - INITIAL - DATE          |
|   |   |   |   |   |   |   | A     |         | INTRODUCTION<br>RSR - 16/04/2021 |

— — WIRING LINKING BEACON & SOUNDER  
FACTORY FITTED

SWITCHES FOR STAGE OPERATION  
CUSTOMER SUPPLIED

Linked Sounder & Beacon Activation (Default)

|  |             |  |             |
|--|-------------|--|-------------|
| Single Stage Configuration                             | Config.: 1a | Two/Three Stage Sounder Configuration  | Config.: 1b |
| Stage 1: Apply Power to Stage 1 Live & Stage 1 Neutral |             | Stage 1: Apply Power to Live & Neutral<br>Stage 2: Apply Power to Live & Neutral & connect Stage 2 to Live<br>Stage 3: Apply Power to Live & Neutral & connect Stage 3 to Live |             |



|   |           |            |                      |             |   |  |   |       |                |    |
|---|-----------|------------|----------------------|-------------|---|--|---|-------|----------------|----|
| DRAWING TO BS8888:2000<br>GEOMETRIC TOLERANCES TO ISO1101:1983<br>LINEAR DIMENSIONAL TOLS<br>ANGULAR DIMENSIONAL TOLS | DRAWN     | DATE       | SURFACE FINISH       | WEIGHT (Kg) | THIS DRAWING AND ANY INFORMATION OR DESCRIPTIVE<br>MATTER THEREIN IS COMMUNICATED IN CONFIDENCE AND<br>IS THE COPYRIGHT PROPERTY OF EUROPEAN SAFETY<br>SYSTEMS LTD. NEITHER THE WHOLE OR ANY EXTRACT MAY<br>BE DISCLOSED, LOANED, COPIED OR USED FOR<br>MANUFACTURING OR TENDERING PURPOSES WITHOUT THEIR<br>WRITTEN CONSENT. | <br>warning signals<br>EUROPEAN SAFETY SYSTEMS LTD<br>IMPRESS HOUSE<br>MANSELL ROAD<br>ACTON<br>LONDON W3 7QH<br>WWW.E2S.COM | ALL DIMENSIONS IN MM  |       |                | A3 |
|   | R.S.RAIT  | 16/03/2021 |                      |             |   |  | IF IN DOUBT, ASK -<br>DO NOT SCALE  |       |                |    |
|   | CHECKED   | DATE       | MATERIAL             |             |   |  | TITLE AL100H, AL105NH & DL105H AC COMBINED<br>SOUNDER & LED WIRING DIAGRAMS |       |                |    |
|   | B.ISARD   | 16/03/2021 | ALTERNATIVE MATERIAL |             |   |  | SCALE   | SHEET | DRAWING NUMBER |    |
| STANDARDS   | APPROVED  | DATE       |                      |             | NTS   | 1 OF 2   | D218-06-255   |       |                |    |
| ALERTALARM RANGE  | R.N.POTTS | 16/03/2021 |                      |             |   |  |   |       |                |    |

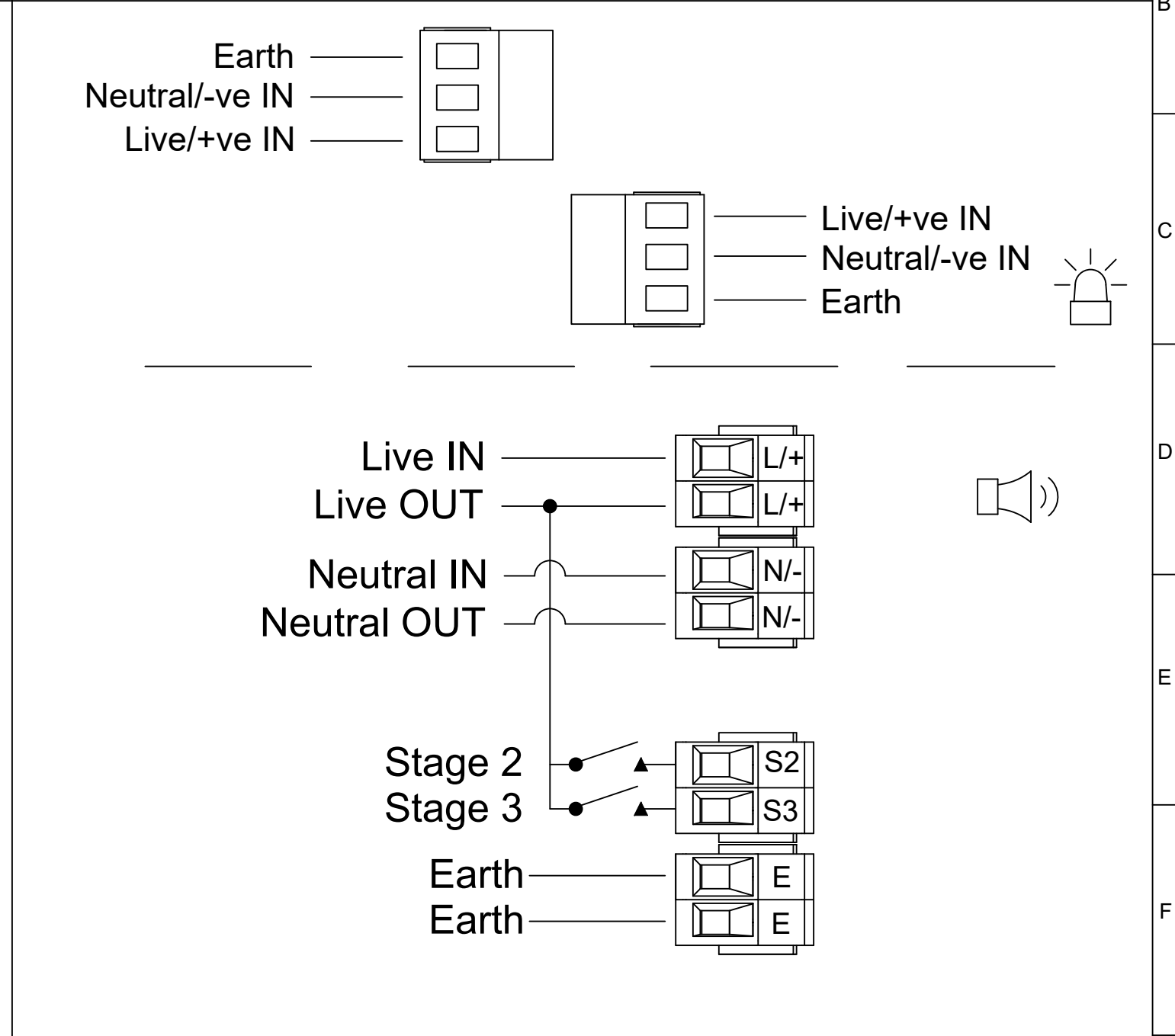
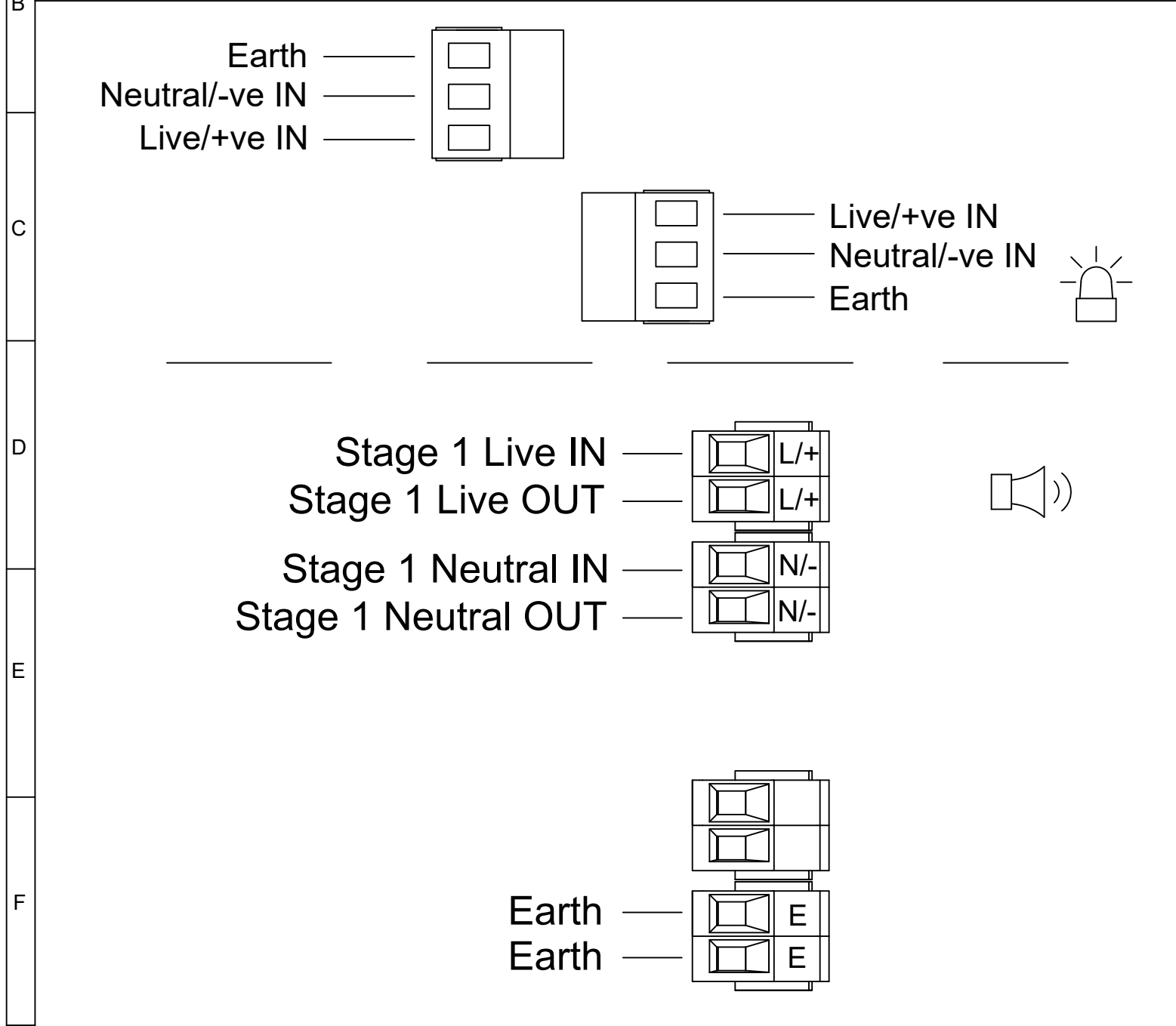
|   |   |   |   |   |   |   |       |         |                                  |
|---|---|---|---|---|---|---|-------|---------|----------------------------------|
| 1 | 2 | 3 | 4 | 5 | 6 | 7 | 8     | 9       | 10                               |
|   |   |   |   |   |   |   | ISSUE | MOD No. | REASON - INITIAL - DATE          |
|   |   |   |   |   |   |   | A     |         | INTRODUCTION<br>RSR - 16/04/2021 |

— — WIRING LINKING BEACON & SOUNDER  
FACTORY FITTED

SWITCHES FOR STAGE OPERATION  
CUSTOMER SUPPLIED

Independent Sounder & Beacon Activation (Remove Link Wires)

|   |  |
|---|--|
| <b>Single Stage Configuration</b> Config.: 2a<br>Stage 1: Apply Power to Stage 1 Live & Stage 1 Neutral | <b>Two/Three Stage Sounder Configuration</b> Config.: 2b<br>Stage 1: Apply Power to Live & Neutral<br>Stage 2: Apply Power to Live & Neutral & connect Stage 2 to Live<br>Stage 3: Apply Power to Live & Neutral & connect Stage 3 to Live |
|---|--|



|   |           |            |                |             |   |  |  |   |        |                |  |
|---|-----------|------------|----------------|-------------|---|--|--|---|--------|----------------|--|
| DRAWING TO BS8888:2000<br>GEOMETRIC TOLERANCES TO ISO1101:1983<br>LINEAR DIMENSIONAL TOLS<br>ANGULAR DIMENSIONAL TOLS | DRAWN     | DATE       | SURFACE FINISH | WEIGHT (Kg) | THIS DRAWING AND ANY INFORMATION OR DESCRIPTIVE<br>MATTER THEREIN IS COMMUNICATED IN CONFIDENCE AND<br>IS THE COPYRIGHT PROPERTY OF EUROPEAN SAFETY<br>SYSTEMS LTD. NEITHER THE WHOLE OR ANY EXTRACT MAY<br>BE DISCLOSED, LOANED, COPIED OR USED FOR<br>MANUFACTURING OR TENDERING PURPOSES WITHOUT THEIR<br>WRITTEN CONSENT. | <br><small>EUROPEAN SAFETY SYSTEMS LTD<br/>         IMPRESS HOUSE<br/>         MANSELL ROAD<br/>         ACTON<br/>         LONDON W3 7QH<br/>         WWW.E2S.COM</small> | ALL DIMENSIONS IN MM<br>IF IN DOUBT, ASK -<br>DO NOT SCALE |   |        | A3             |  |
|   | R.S.RAIT  | 16/03/2021 |                |             |   |  | MATERIAL<br><br><br>ALTERNATIVE MATERIAL                   | TITLE AL100H, AL105NH & DL105H AC COMBINED<br>SOUNDER & LED WIRING DIAGRAMS |        |                |  |
|   | CHECKED   | DATE       |                |             |   |  |  | SCALE   | SHEET  | DRAWING NUMBER |  |
|   | B.ISARD   | 16/03/2021 |                |             |   |  |  | NTS   | 2 OF 2 | D218-06-255    |  |
| STANDARDS   | APPROVED  | DATE       |                |             | EUROPEAN SAFETY SYSTEMS LTD.<br>AS PER LATEST DATE OF ISSUE SHOWN ABOVE   |  |  |   |        |                |  |
| ALERTALARM RANGE  | R.N.POTTS | 16/03/2021 |                |             |   |  |  |   |        |                |  |