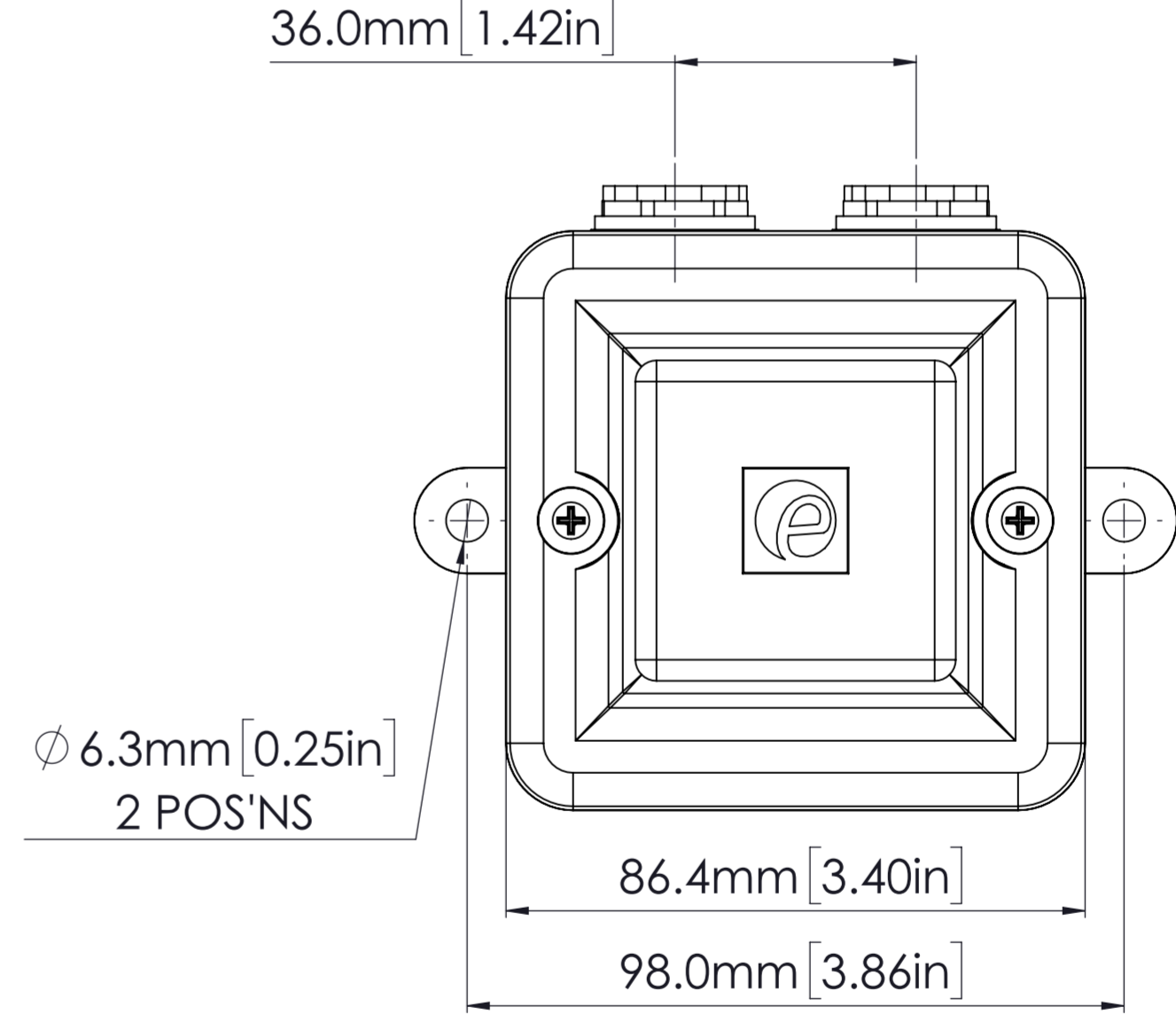
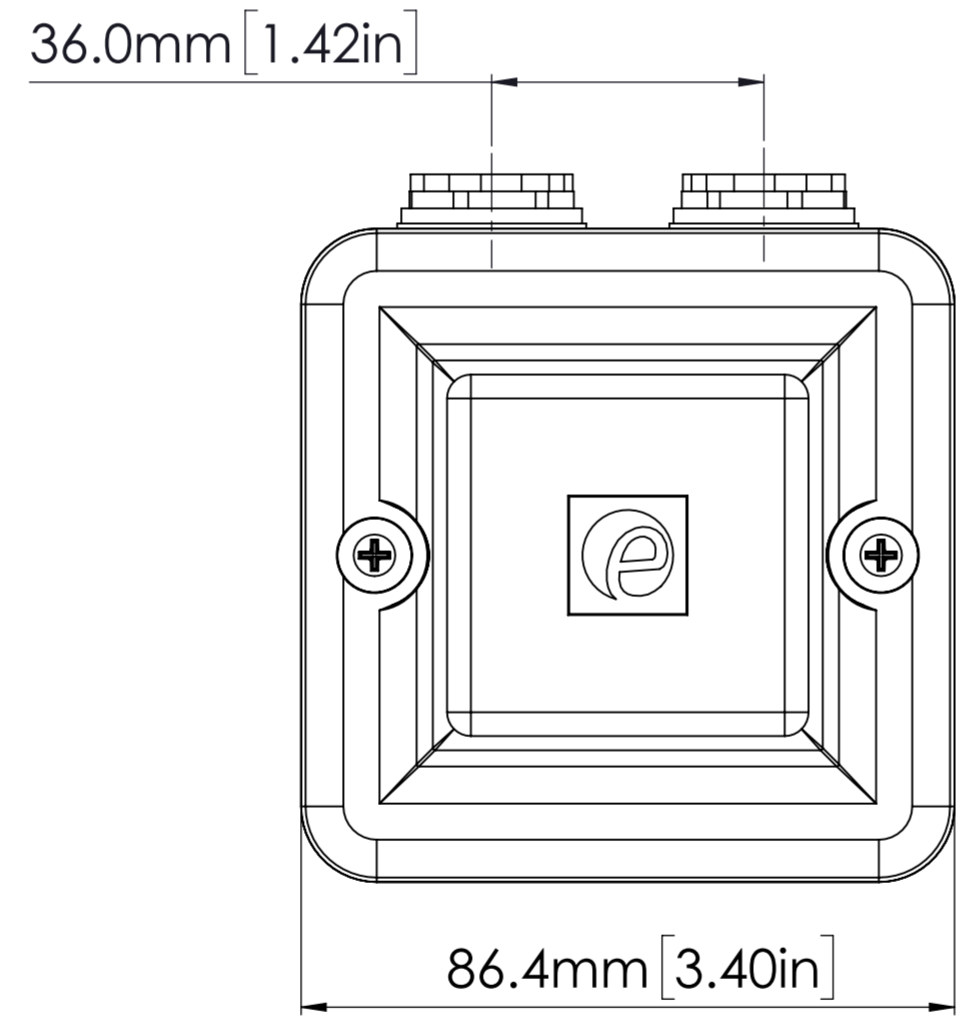
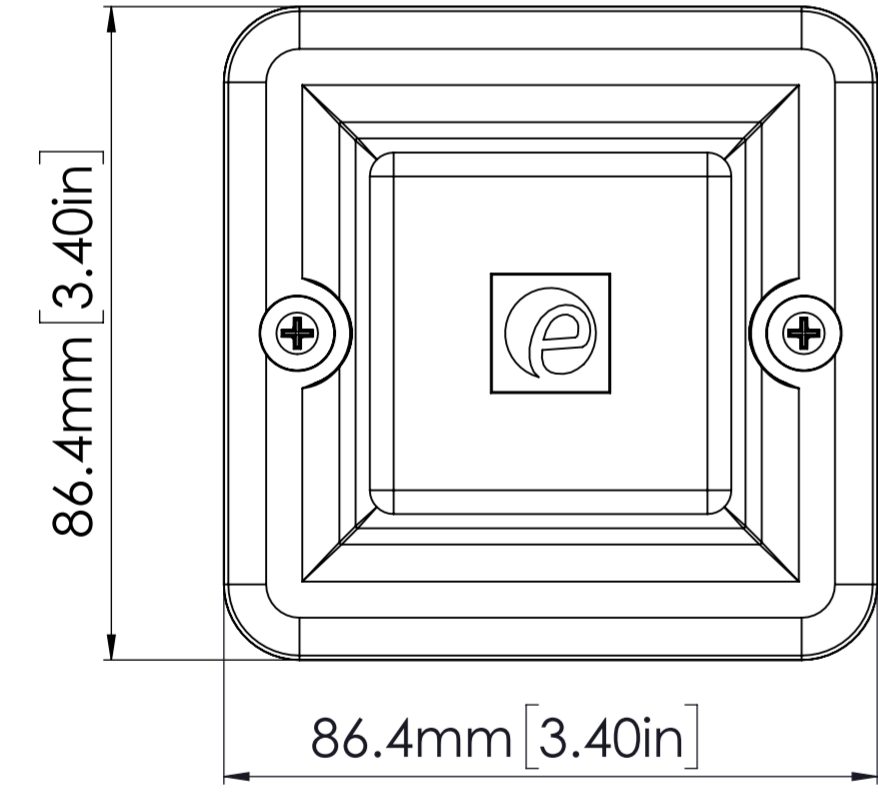
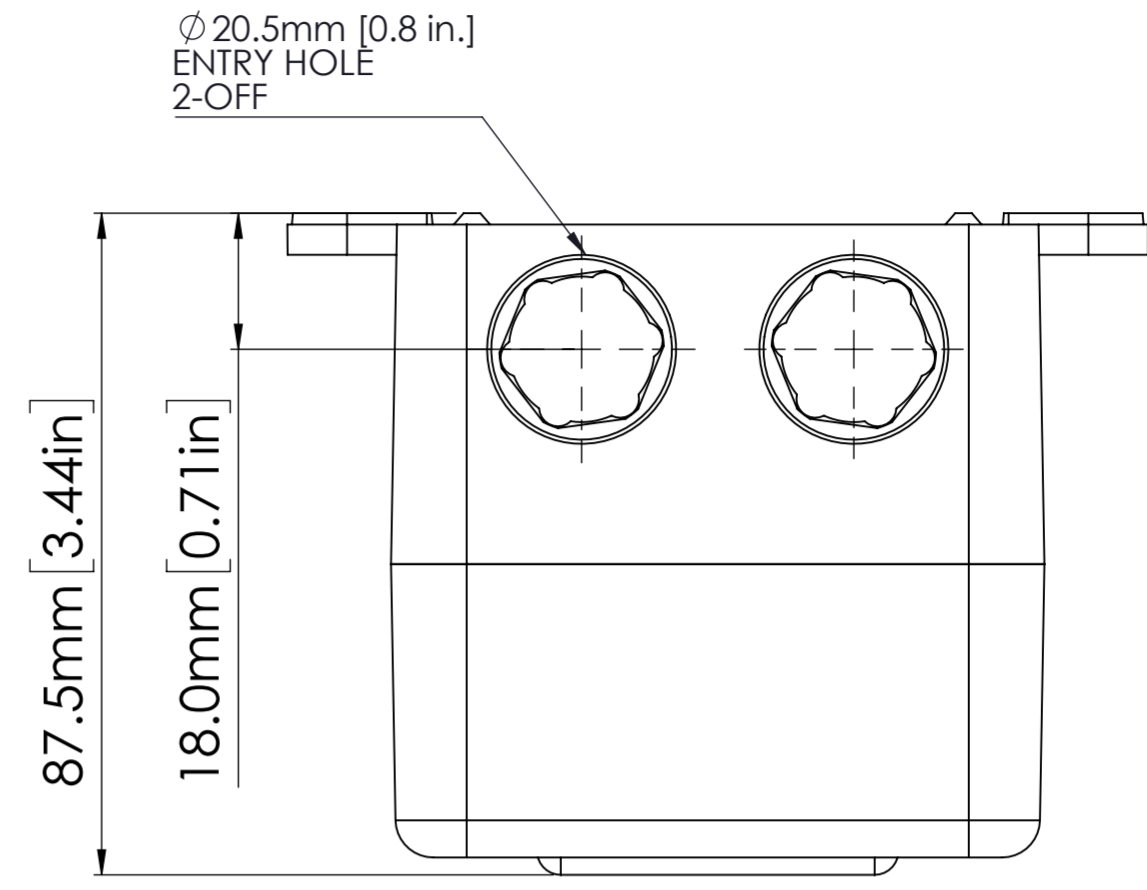
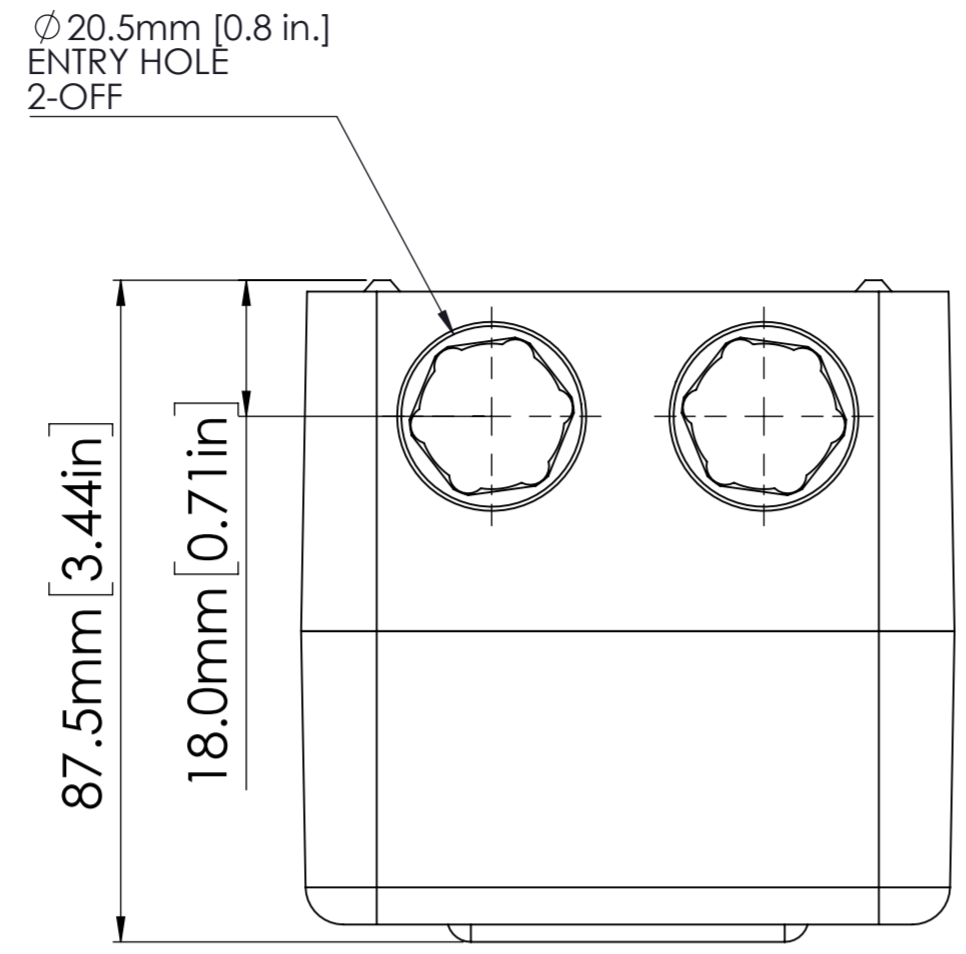
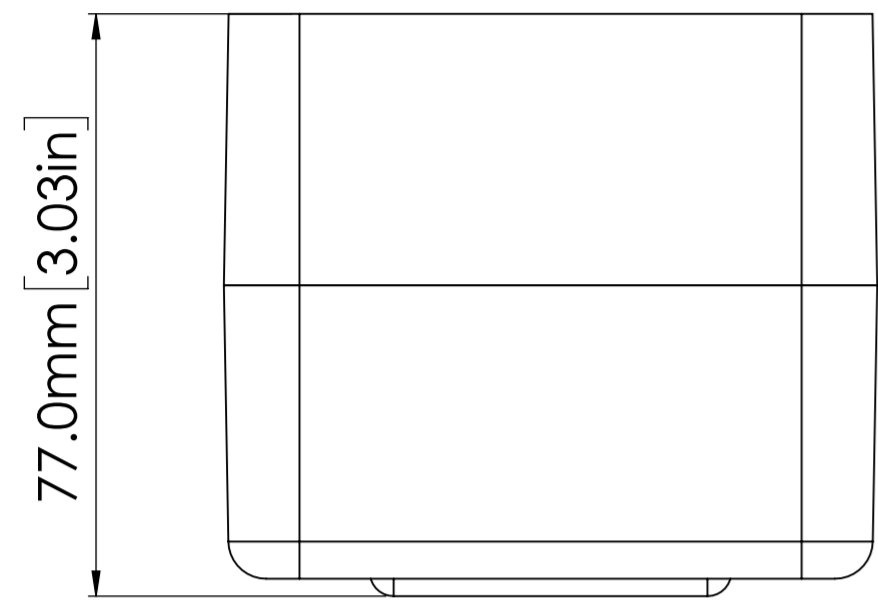


ISSUE	MOD No.	REASON - INITIAL - DATE
A		INTRODUCTION - JS - 29/06/2021



L101 BACKBOX (B)

SONORA BACKBOX (S)

MULTIPURPOSE BACKBOX (M)

E2S PART NO. A100SONTEL... DESCRIPTION A100 TELEPHONE INITIATED ALARM SOUNDER DATA REFERENCE 2.21.050

DRAWING TO BS8888:2000 GEOMETRIC TOLERANCES TO ISO1101:1983 LINEAR DIMENSIONAL TOLS ANGULAR DIMENSIONAL TOLS	DRAWN	DATE	SURFACE FINISH FINISH	WEIGHT (kg)	THIS DRAWING AND ANY INFORMATION OR DESCRIPTIVE MATTER THEREIN IS COMMUNICATED IN CONFIDENCE AND IS THE COPYRIGHT PROPERTY OF EUROPEAN SAFETY SYSTEMS LTD. NEITHER THE WHOLE OR ANY EXTRACT MAY BE DISCLOSED, LOANED, COPIED OR USED FOR MANUFACTURING OR TENDERING PURPOSES WITHOUT THEIR WRITTEN CONSENT.	 EUROPEAN SAFETY SYSTEMS LTD IMPRESS HOUSE MANSELL ROAD ACTON LONDON W3 7QH WWW.E2S.COM	ALL DIMENSIONS IN MM IF IN DOUBT, ASK - DO NOT SCALE		 A2
	CHECKED	DATE					MATERIAL	TITLE A100 SONTEL TELEPHONE INITIATED ALARM SOUNDER OUTLINE DRAWING	
	APPROVED	DATE	ALTERNATIVE MATERIAL	SCALE				SHEET	DRAWING NUMBER
STANDARDS SONTEL	J.SPILLER	28/06/2021			© EUROPEAN SAFETY SYSTEMS LTD. AS PER LATEST DATE OF ISSUE SHOWN ABOVE		1:1	1 OF 1	D247-05-001