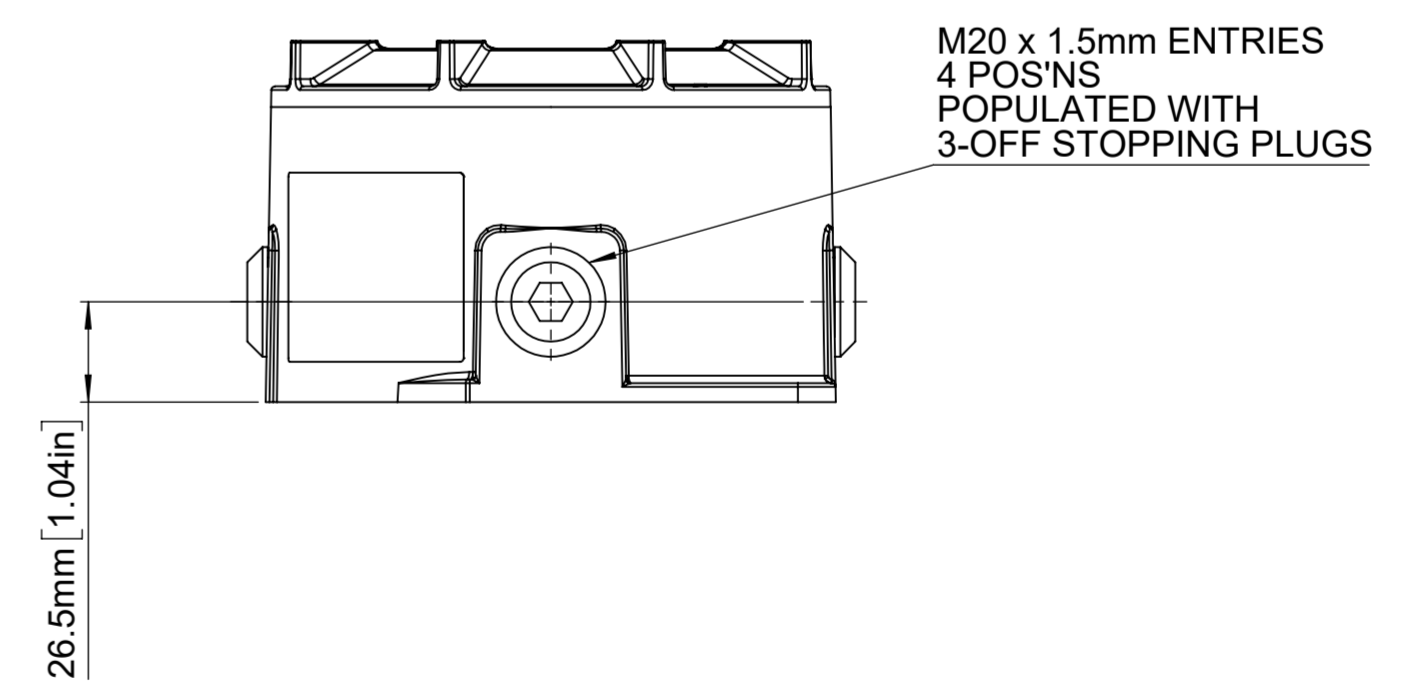
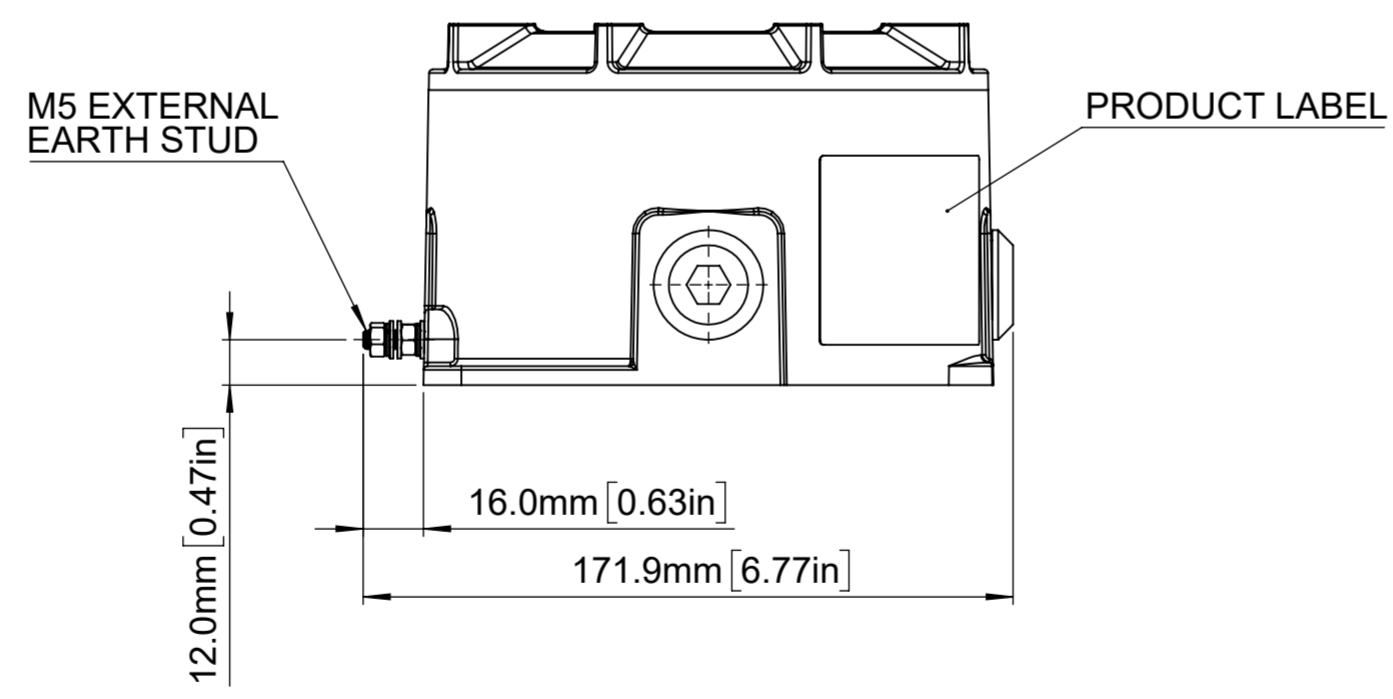
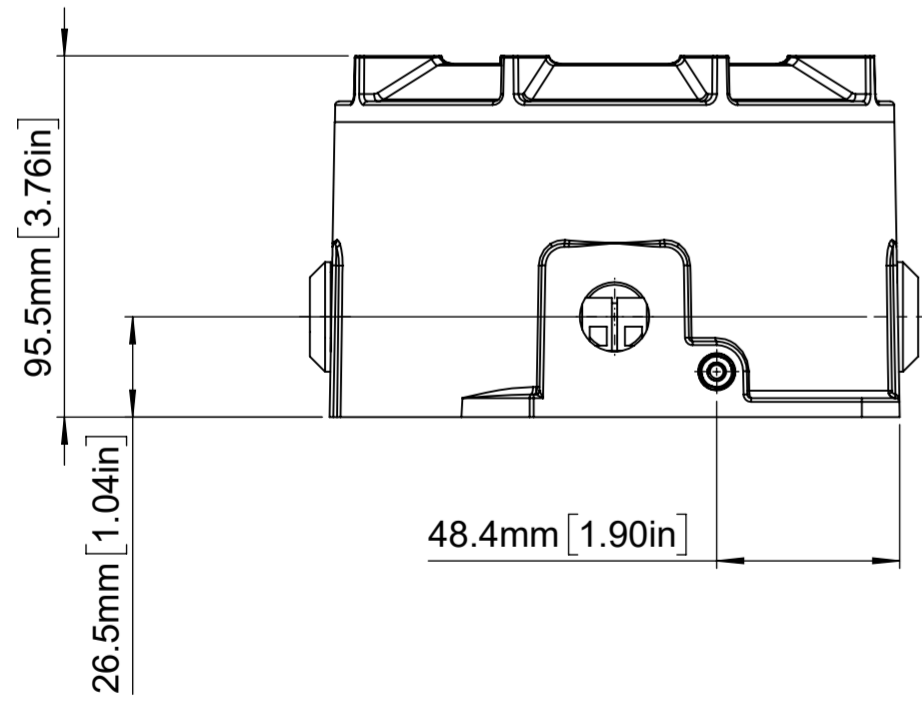
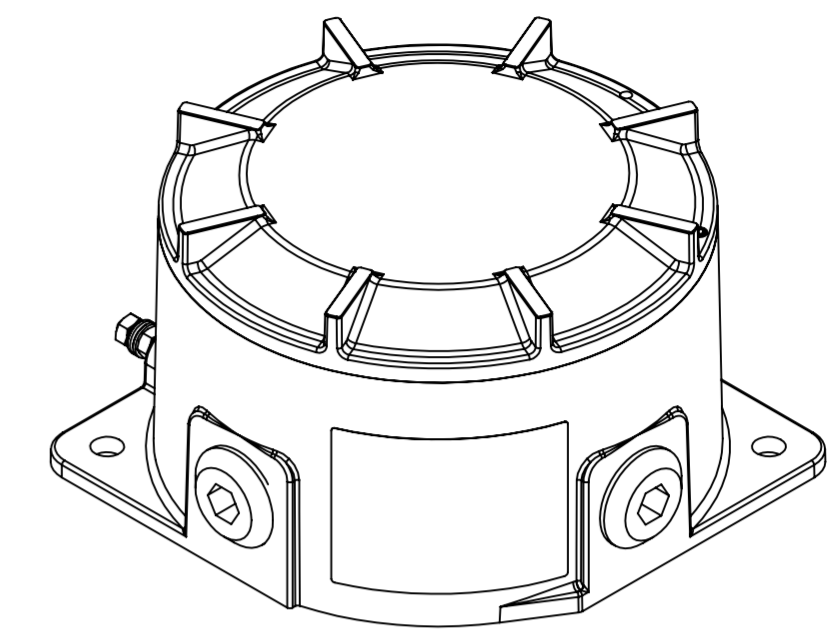
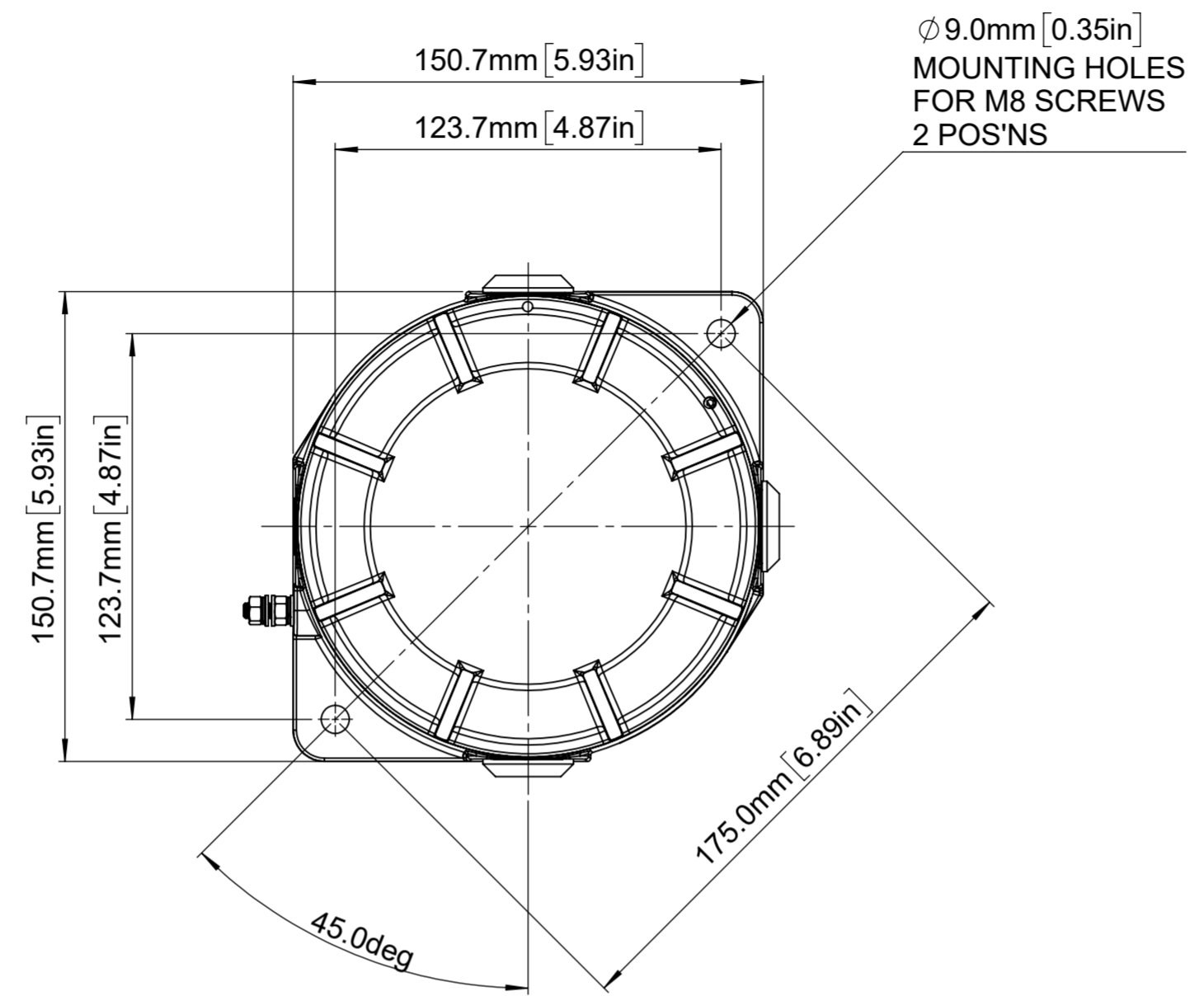


ISSUE	MOD No.	REASON - INITIAL - DATE
1		INTRODUCTION MA 08-12-2021



E2S PART NO.	DESCRIPTION	DATA REFERENCE
STExJ2	STExJ2 JUNCTION BOX	1-25-020

DRAWING TO BS8888:2000 GEOMETRIC TOLERANCES TO ISO1101:1983 LINEAR DIMENSIONAL TOLS ANGULAR DIMENSIONAL TOLS	DRAWN M.ABALOS	DATE 08-12-2021	SURFACE FINISH	WEIGHT (kg)	THIS DRAWING AND ANY INFORMATION OR DESCRIPTIVE MATTER THEREIN IS COMMUNICATED IN CONFIDENCE AND IS THE COPYRIGHT PROPERTY OF EUROPEAN SAFETY SYSTEMS LTD. NEITHER THE WHOLE OR ANY EXTRACT MAY BE DISCLOSED, LOANED, COPIED OR USED FOR MANUFACTURING OR TENDERING PURPOSES WITHOUT THEIR WRITTEN CONSENT.	 EUROPEAN SAFETY SYSTEMS LTD IMPRESS HOUSE MANSELL ROAD ACTON LONDON W3 7QH WWW.E2S.COM	ALL DIMENSIONS IN MM IF IN DOUBT, ASK - DO NOT SCALE		A2
	CHECKED R.N.POTTS	DATE 08-12-2021	MATERIAL	TITLE STExJ2 JUNCTION BOX - OUTLINE DRAWING					
	STANDARDS STExJ2	APPROVED R.N.POTTS	DATE 08-12-2021	ALTERNATIVE MATERIAL			SCALE 1:2	SHEET 1 OF 1	DRAWING NUMBER D199-05-501