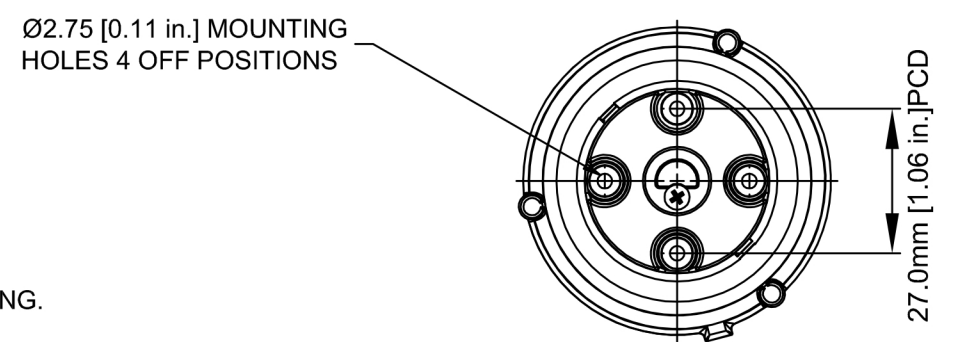
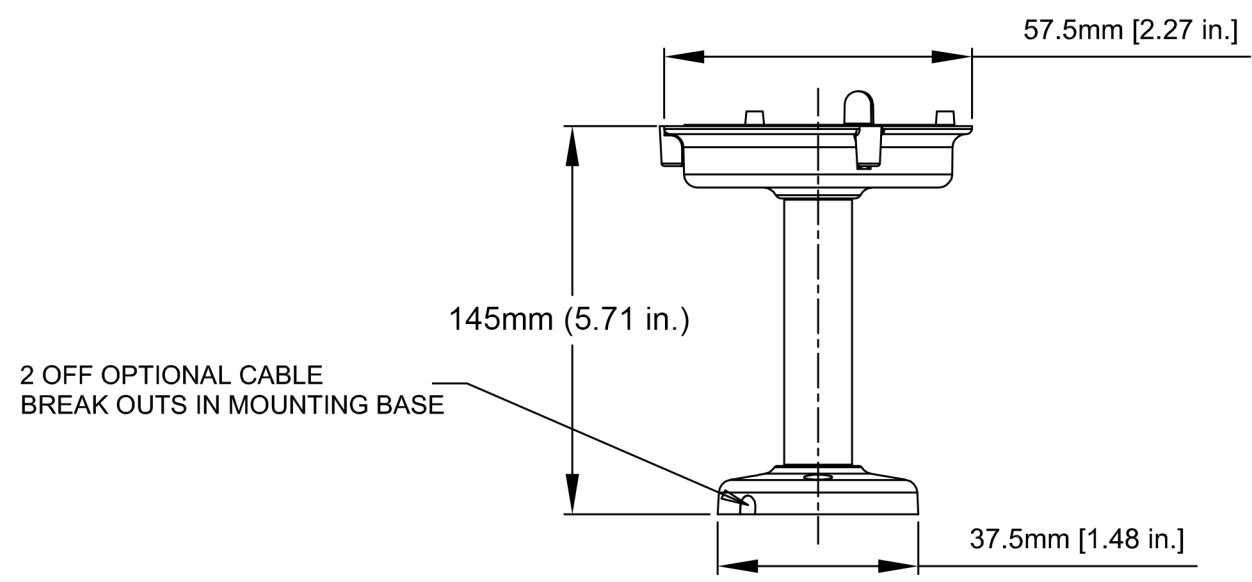
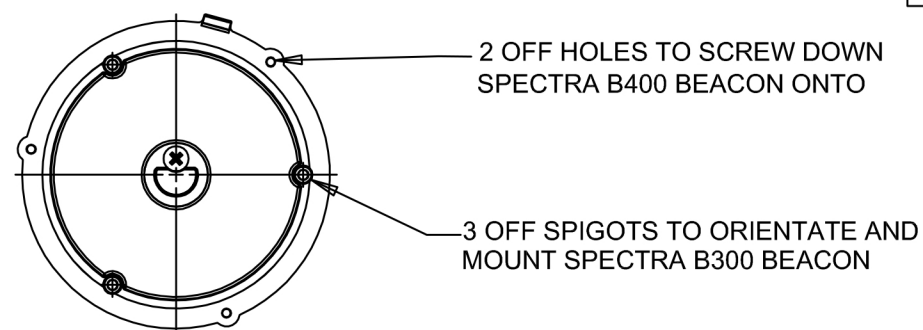


ISSUE	MOD No.	REASON - INITIAL - DATE
A		INTRODUCTION OF PART RNP 22-04-08
B		UPDATE TO DUAL DIMS. RSR 10-07-13



E2S PART NO.	DESCRIPTION	DATA REFERENCE
B400TMA001...	SPECTRA ACCESSORIES	2.16.010

WHERE APPLICABLE '-UL' VERSIONS ARE COVERED BY THIS OUTLINE DRAWING.

DRAWING TO BS8888:2000 GEOMETRIC TOLERANCES TO ISO1101:1983 LINEAR DIMENSIONAL TOLS ANGULAR DIMENSIONAL TOLS	DRAWN	DATE	SURFACE FINISH	WEIGHT (Kg)	THIS DRAWING AND ANY INFORMATION OR DESCRIPTIVE MATTER THEREIN IS COMMUNICATED IN CONFIDENCE AND IS THE COPYRIGHT PROPERTY OF EUROPEAN SAFETY SYSTEMS LTD. NEITHER THE WHOLE OR ANY EXTRACT MAY BE DISCLOSED, LOANED, COPIED OR USED FOR MANUFACTURING OR TENDERING PURPOSES WITHOUT THEIR WRITTEN CONSENT. © EUROPEAN SAFETY SYSTEMS LTD. AS PER LATEST DATE OF ISSUE SHOWN ABOVE	 EUROPEAN SAFETY SYSTEMS LTD IMPRESS HOUSE MANSELL ROAD ACTON LONDON W3 7QH WWW.E2S.COM	ALL DIMENSIONS IN MM IF IN DOUBT, ASK - DO NOT SCALE		A2	
	CHECKED	DATE	MATERIAL				TITLE	SCALE	SHEET	DRAWING NUMBER
	APPROVED	DATE	ALTERNATIVE MATERIAL				B400 TMA POLE MOUNT ASSEMBLY G-A	1:1	1 OF 1	SK0269
STANDARDS PRODUCT REF	R.N.POTTS	22:04:08	SEE ITEM LIST							
	R.N.POTTS	22:04:08								
	R.N.POTTS	22:04:08								