

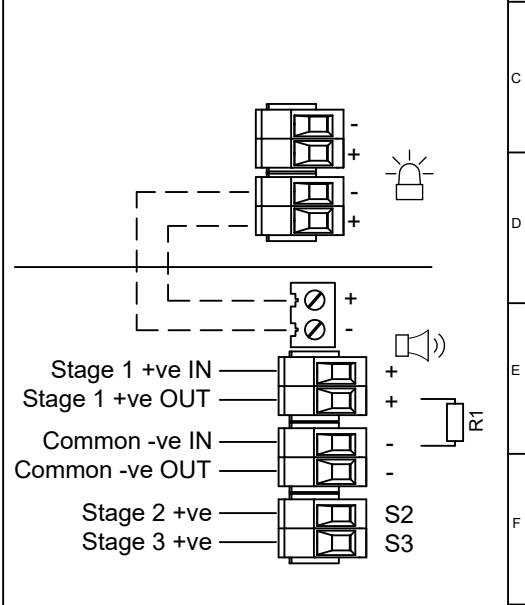
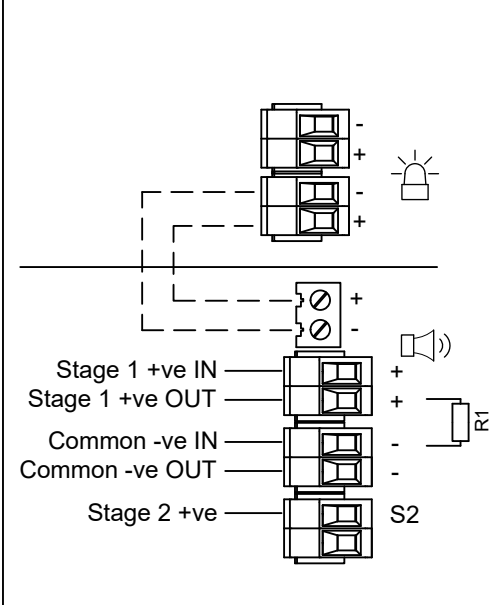
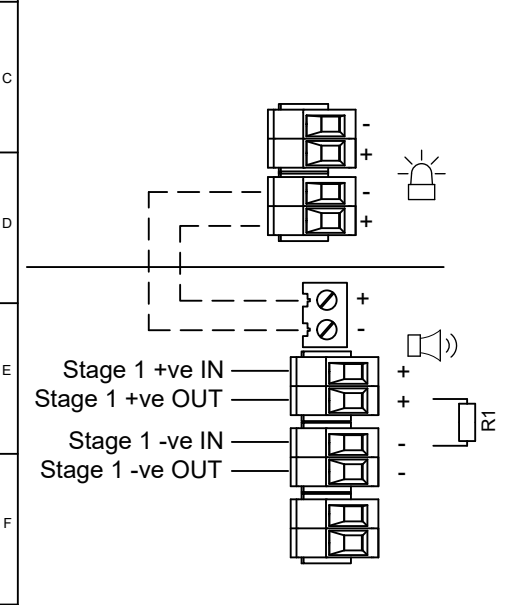
ISSUE	MOD No.	REASON - INITIAL - DATE
1		INTRODUCTION RSR - 19/01/2021

--- WIRING LINKING BEACON & SOUNDER  
FACTORY FITTED

OPTIONAL LINE MONITORING RESISTOR, CUSTOMER SUPPLIED.  
RECOMMENDED MINIMUM VALUES:  
14V MAX SYSTEM = 120Ω MIN, 2W MIN OR 1KΩ MIN, 0.5W MIN  
28V MAX SYSTEM = 470Ω MIN, 2W MIN OR 2.4KΩ MIN, 0.5W MIN

Linked Sounder & Beacon Activation (Default)

Single Stage Configuration	Config.: 1a	Two Stage Configuration	Config.: 1b	Three/Four Stage Configuration	Config.: 1c
Line Monitoring Set to positive switching (default)		Common Negative Set to positive switching (default)		Common Negative Set to positive switching (default)	
Stage 1: Apply Power to Stage 1 +ve & Stage 1 -ve		Stage 1: Apply Power to Stage 1 +ve & Common -ve Stage 2: Apply Power to Stage 2 +ve & Common -ve		Stage 1: Apply Power to Stage 1 +ve & Common -ve Stage 2: Apply Power to Stage 2 +ve & Common -ve Stage 3: Apply Power to Stage 3 +ve & Common -ve Stage 4: Apply Power to Stage 2 +ve, Stage 3 +ve & Common -ve	



DRAWING TO BS8888:2000 GEOMETRIC TOLERANCES TO ISO1101:1983 LINEAR DIMENSIONAL TOLS ANGULAR DIMENSIONAL TOLS	DRAWN	DATE	SURFACE FINISH	WEIGHT (Kg)
	R.S.RAIT	19/01/2022		
	CHECKED	DATE		
STANDARDS  ALERTALARM RANGE	B.ISARD	19/01/2022	MATERIAL	ALTERNATIVE MATERIAL
	APPROVED	DATE		
	R.N.POTTS	19/01/2022		

THIS DRAWING AND ANY INFORMATION OR DESCRIPTIVE MATTER THEREIN IS COMMUNICATED IN CONFIDENCE AND IS THE COPYRIGHT PROPERTY OF EUROPEAN SAFETY SYSTEMS LTD. NEITHER THE WHOLE OR ANY EXTRACT MAY BE DISCLOSED, LOANED, COPIED OR USED FOR MANUFACTURING OR TENDERING PURPOSES WITHOUT THEIR WRITTEN CONSENT.

© EUROPEAN SAFETY SYSTEMS LTD.  
AS PER LATEST DATE OF ISSUE SHOWN ABOVE

**e2s**  
warning signals

EUROPEAN SAFETY SYSTEMS LTD  
IMPRESS HOUSE  
MANSELL ROAD  
LONDON W3 7QH  
WWW.E2S.COM

ALL DIMENSIONS IN MM IF IN DOUBT, ASK - DO NOT SCALE			A3
TITLE D1xC1X / D1xC2X / STExC1X DC SOUNDER / XENON WIRING DIAGRAMS			
SCALE	SHEET	DRAWING NUMBER	
NTS	1 OF 6	D190-06-301	

— — WIRING LINKING BEACON & SOUNDER  
FACTORY FITTED



OPTIONAL LINE MONITORING RESISTOR, CUSTOMER SUPPLIED,  
RECOMMENDED MINIMUM VALUES:  
14V MAX SYSTEM = 120Ω MIN, 2Ω MIN OR 1KΩ MIN, 0.5W MIN  
28V MAX SYSTEM = 470Ω MIN, 2Ω MIN OR 2.4KΩ MIN, 0.5W MIN

SWITCHES FOR STAGE OPERATION  
CUSTOMER SUPPLIED

ISSUE	MOD No.	REASON - INITIAL - DATE
1		INTRODUCTION RSR - 19/01/2021

Linked Sounder & Beacon Activation (Default)

Three/Four Stages. Voltage Free 2nd, 3rd & 4th Stage Activation Configuration

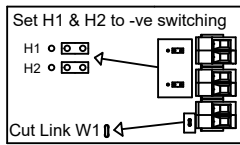
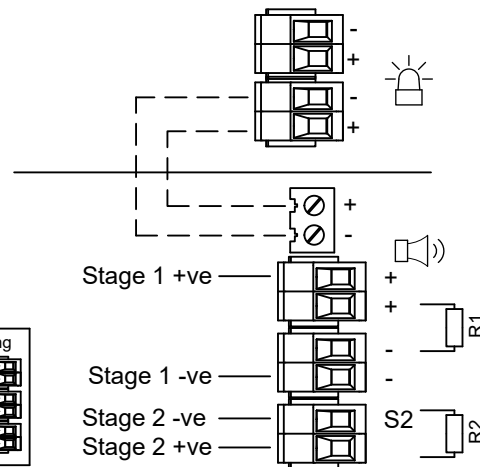
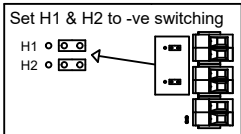
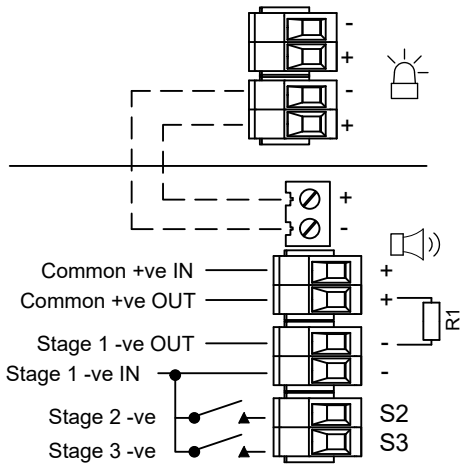
Config.: 2

Two Stage Configuration

Config.: 3

Common Positive  
Customer Set H1 & H2 to Negative Switching (See Below)  
Stage 1: Apply Power to Common +ve & Stage 1 -ve  
Stage 2: Apply Power to Common +ve & Stage 1 -ve & connect Stage 2 -ve to Stage 1 -ve  
Stage 3: Apply Power to Common +ve & Stage 1 -ve & connect Stage 3 -ve to Stage 1 -ve  
Stage 4: Apply Power to Common +ve & Stage 1 -ve  
& connect Stage 2 -ve & Stage 3 -ve to Stage 1 -ve

Independent Stage Input  
Reverse Polarity Stage Monitoring  
Stage 1: Apply Power to Stage 1 +ve & Stage 1 -ve  
Stage 2: Apply Power to Stage 1 +ve & Stage 1 -ve & connect Stage 2 -ve to Stage 1 -ve



DRAWING TO BS8888:2000 GEOMETRIC TOLERANCES TO ISO1101:1983 LINEAR DIMENSIONAL TOLS ANGULAR DIMENSIONAL TOLS	DRAWN	R.S.RAIT	DATE	19/01/2022
	CHECKED	B.ISARD	DATE	19/01/2022
STANDARDS ALERTALARM RANGE	APPROVED	R.N.POTTS	DATE	19/01/2022

SURFACE FINISH	WEIGHT (Kg)
MATERIAL	
ALTERNATIVE MATERIAL	

DRAWING TO BS8888:2000 GEOMETRIC TOLERANCES TO ISO1101:1983 LINEAR DIMENSIONAL TOLS ANGULAR DIMENSIONAL TOLS	DRAWN	R.S.RAIT	DATE	19/01/2022
STANDARDS ALERTALARM RANGE	CHECKED	B.ISARD	DATE	19/01/2022
	APPROVED	R.N.POTTS	DATE	19/01/2022

THIS DRAWING AND ANY INFORMATION OR DESCRIPTIVE  
MATTER THEREIN IS COMMUNICATED IN CONFIDENCE AND  
IS THE COPYRIGHT PROPERTY OF EUROPEAN SAFETY  
SYSTEMS LTD. NEITHER THE WHOLE OR ANY EXTRACT MAY  
BE DISCLOSED, LOANED, COPIED OR USED FOR  
MANUFACTURING OR TENDERING PURPOSES WITHOUT THEIR  
WRITTEN CONSENT.

EUROPEAN SAFETY SYSTEMS LTD.  
AS PER LATEST DATE OF ISSUE SHOWN ABOVE

**e2s** warning signals  
EUROPEAN SAFETY SYSTEMS LTD  
IMPRESS HOUSE  
MANSELL ROAD  
LONDON W3 7QH  
WWW.E2S.COM

ALL DIMENSIONS IN MM IF IN DOUBT, ASK - DO NOT SCALE			<b>A3</b>
TITLE D1xC1X / D1xC2X / STExC1X DC SOUNDER / XENON WIRING DIAGRAMS			
SCALE	SHEET	DRAWING NUMBER	
NTS	2 of 6	D190-06-301	

— — WIRING LINKING BEACON & SOUNDER  
FACTORY FITTED



OPTIONAL LINE MONITORING RESISTOR, CUSTOMER SUPPLIED.  
RECOMMENDED MINIMUM VALUES:  
14V MAX SYSTEM = 120Ω MIN, 2W MIN OR 1KΩ MIN, 0.5W MIN  
28V MAX SYSTEM = 470Ω MIN, 2W MIN OR 2.4KΩ MIN, 0.5W MIN



SWITCHES FOR STAGE OPERATION  
CUSTOMER SUPPLIED

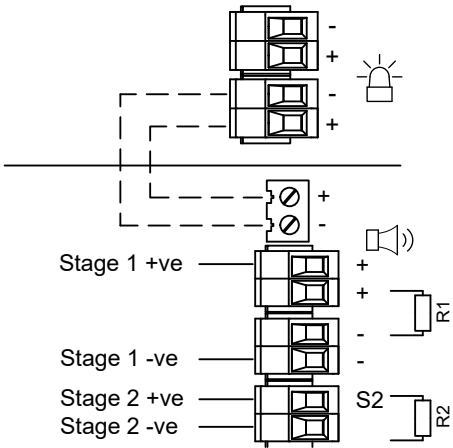
8	9	10
ISSUE	MOD No.	REASON - INITIAL - DATE
1		INTRODUCTION RSR - 19/01/2021

Linked Sounder & Beacon Activation (Default)

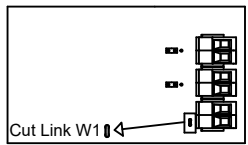
Two Stage Configuration Config: 4

Independent Stage Input  
Line Stage Monitoring (Use suitable monitoring relays/modules)  
Not to be used for reverse polarity monitoring

Stage 1: Apply Power to Stage 1 +ve & Stage 1 -ve  
Stage 2: Apply Power to Stage 2 +ve & Stage 2 -ve



CUSTOM CONFIGURATION  
PRODUCT  
OPTION 'Y'



DRAWING TO BS8888:2000 GEOMETRIC TOLERANCES TO ISO1101:1983 LINEAR DIMENSIONAL TOLS ANGULAR DIMENSIONAL TOLS	DRAWN	DATE	SURFACE FINISH	WEIGHT (Kg)
	R.S.RAIT	19/01/2022		
	CHECKED	DATE	MATERIAL	
STANDARDS  ALERTALARM RANGE	B.ISARD	19/01/2022		
	APPROVED	DATE	ALTERNATIVE MATERIAL	
	R.N.POTTS	19/01/2022		

THIS DRAWING AND ANY INFORMATION OR DESCRIPTIVE  
MATTER THEREIN IS COMMUNICATED IN CONFIDENCE AND  
IS THE COPYRIGHT PROPERTY OF EUROPEAN SAFETY  
SYSTEMS LTD. NEITHER THE WHOLE OR ANY EXTRACT MAY  
BE DISCLOSED, LOANED, COPIED OR USED FOR  
MANUFACTURING OR TENDERING PURPOSES WITHOUT THEIR  
WRITTEN CONSENT.

© EUROPEAN SAFETY SYSTEMS LTD.  
AS PER LATEST DATE OF ISSUE SHOWN ABOVE

EUROPEAN SAFETY SYSTEMS LTD  
IMPRESS HOUSE  
MANSELL ROAD  
FELTON  
LONDON W3 7QH  
WWW.E2S.COM

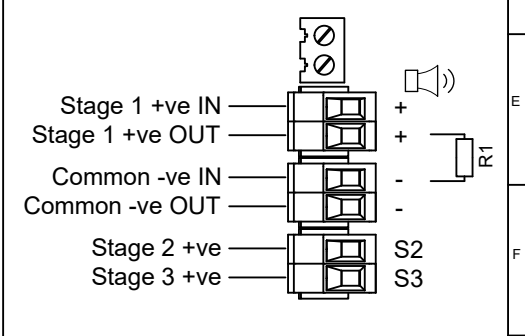
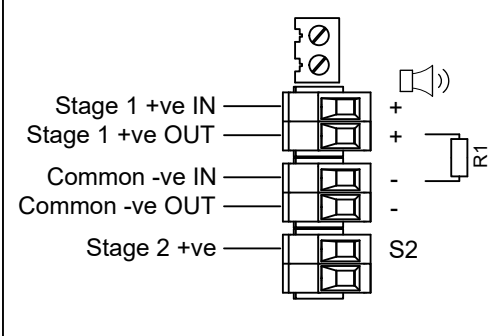
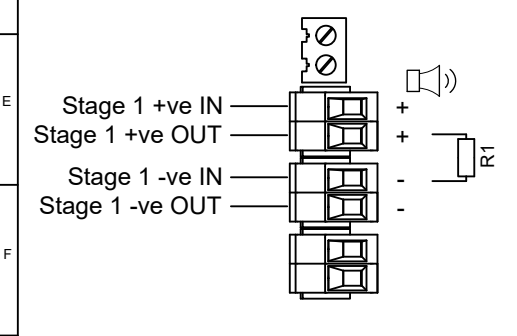
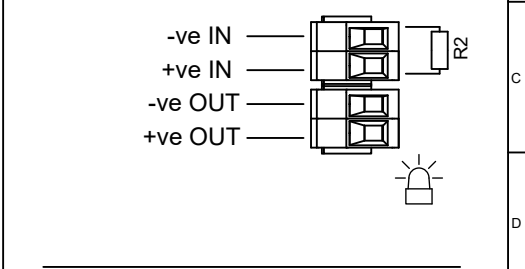
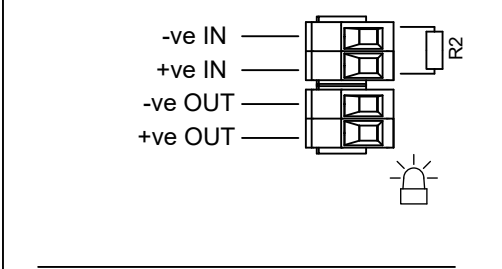
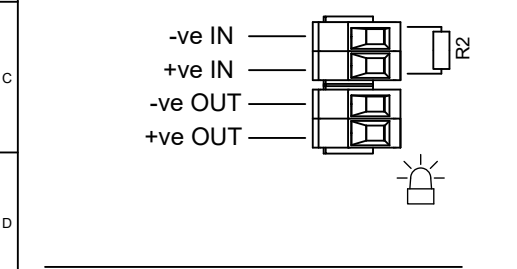
ALL DIMENSIONS IN MM IF IN DOUBT, ASK - DO NOT SCALE				A3
TITLE D1xC1X / D1xC2X / STExC1X DC SOUNDER / XENON WIRING DIAGRAMS				
SCALE	SHEET	DRAWING NUMBER		
NTS	3 of 6	D190-06-301		

1	2	3	4	5	6	7	8	9	10	
							ISSUE	MOD No.	REASON - INITIAL - DATE	
							1		INTRODUCTION RSR - 19/01/2021	

OPTIONAL LINE MONITORING RESISTOR, CUSTOMER SUPPLIED,  
RECOMMENDED MINIMUM VALUES:  
14V MAX SYSTEM = 120Ω MIN, 2W MIN OR 1KΩ MIN, 0.5W MIN  
28V MAX SYSTEM = 470Ω MIN, 2W MIN OR 2.4KΩ MIN, 0.5W MIN

Independent Sounder & Beacon Activation (Remove Link Wires)

Single Stage Configuration		Config.: 5a	Two Stage Configuration		Config.: 5b	Three/Four Stage Configuration		Config.: 5c	
Line Monitoring Set to positive switching (default)			Common Negative Set to positive switching (default)			Common Negative Set to positive switching (default)			
Stage 1: Apply Power to Stage 1 +ve & Stage 1 -ve			Stage 1: Apply Power to Stage 1 +ve & Common -ve Stage 2: Apply Power to Stage 2 +ve & Common -ve			Stage 1: Apply Power to Stage 1 +ve & Common -ve Stage 2: Apply Power to Stage 2 +ve & Common -ve Stage 3: Apply Power to Stage 3 +ve & Common -ve Stage 4: Apply Power to Stage 2 +ve, Stage 3 +ve & Common -ve			



G	DRAWING TO BS8888:2000 GEOMETRIC TOLERANCES TO ISO1101:1983 LINEAR DIMENSIONAL TOLS ANGULAR DIMENSIONAL TOLS	DRAWN R.S.RAIT	DATE 19/01/2022	SURFACE FINISH	WEIGHT (Kg)	THIS DRAWING AND ANY INFORMATION OR DESCRIPTIVE MATTER THEREIN IS COMMUNICATED IN CONFIDENCE AND IS THE COPYRIGHT PROPERTY OF EUROPEAN SAFETY SYSTEMS LTD. NEITHER THE WHOLE OR ANY EXTRACT MAY BE DISCLOSED, LOANED, COPIED OR USED FOR MANUFACTURING OR TENDERING PURPOSES WITHOUT THEIR WRITTEN CONSENT.  EUROPEAN SAFETY SYSTEMS LTD. AS PER LATEST DATE OF ISSUE SHOWN ABOVE	 EUROPEAN SAFETY SYSTEMS LTD IMPRESS HOUSE MANSELL ROAD FULFORD LONDON W13 7QH WWW.E2S.COM	ALL DIMENSIONS IN MM IF IN DOUBT, ASK - DO NOT SCALE		 <b>A3</b>	
	STANDARDS	CHECKED B.ISARD	DATE 19/01/2022	MATERIAL	ALTERNATIVE MATERIAL			TITLE D1xC1X / D1xC2X / STExC1X DC SOUNDER / XENON WIRING DIAGRAMS			
	ALERTALARM RANGE	APPROVED R.N.POTTS	DATE 19/01/2022					SCALE NTS	SHEET 4 OF 6		DRAWING NUMBER D190-06-301

ISSUE	MOD No.	REASON - INITIAL - DATE
1		INTRODUCTION RSR - 19/01/2021

OPTIONAL LINE MONITORING RESISTOR, CUSTOMER SUPPLIED.  
RECOMMENDED MINIMUM VALUES:  
14V MAX SYSTEM = 120Ω MIN, 2W MIN OR 1KΩ MIN, 0.5W MIN  
28V MAX SYSTEM = 470Ω MIN, 2W MIN OR 2.4KΩ MIN, 0.5W MIN

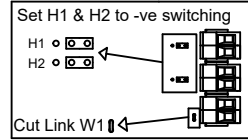
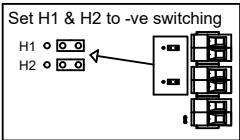
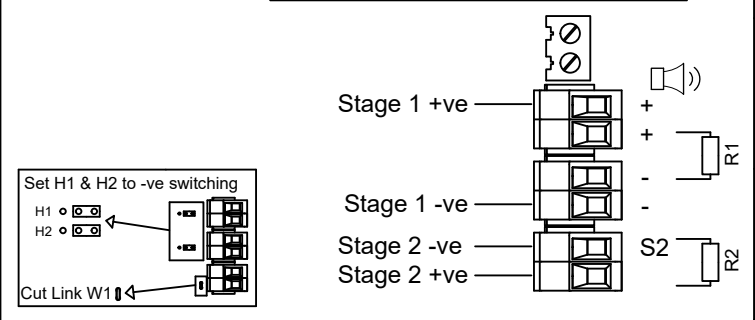
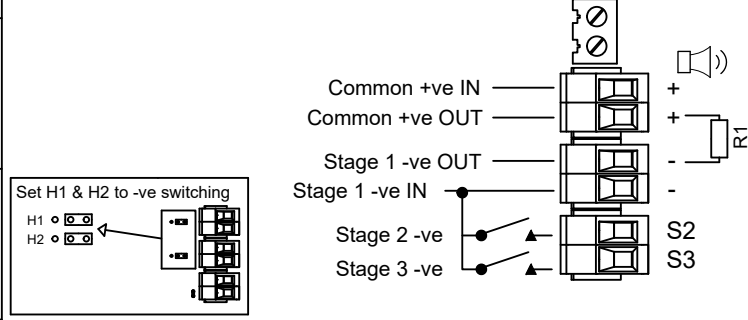
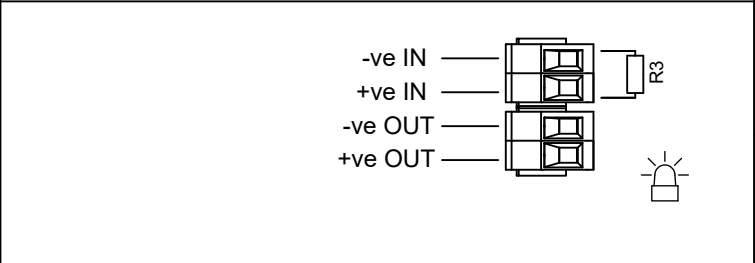
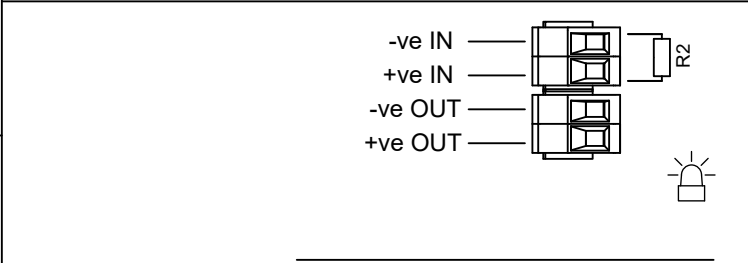
SWITCHES FOR STAGE OPERATION  
CUSTOMER SUPPLIED

**Independent Sounder & Beacon Activation (Remove Link Wire)**

**Three/Four Stages. Voltage Free 2nd, 3rd & 4th Stage Activation Configuration**      Config.: 6      **Two Stage Configuration**      Config.: 7

**Common Positive**  
**Customer Set H1 & H2 to Negative Switching (See Below)**  
 Stage 1: Apply Power to Common +ve & Stage 1 -ve  
 Stage 2: Apply Power to Common +ve & Stage 1 -ve & connect Stage 2 -ve to Stage 1 -ve  
 Stage 3: Apply Power to Common +ve & Stage 1 -ve & connect Stage 3 -ve to Stage 1 -ve  
 Stage 4: Apply Power to Common +ve & Stage 1 -ve  
           & connect Stage 2 -ve & Stage 3 -ve to Stage 1 -ve

**Independent Stage Input**  
**Reverse Polarity Stage Monitoring**  
 Stage 1: Apply Power to Stage 1 +ve & Stage 1 -ve  
 Stage 2: Apply Power to Stage 1 +ve & Stage 1 -ve & connect Stage 2 -ve to Stage 1 -ve



DRAWING TO BS8888:2000 GEOMETRIC TOLERANCES TO ISO1101:1983 LINEAR DIMENSIONAL TOLS ANGULAR DIMENSIONAL TOLS	DRAWN	R.S.RAIT	DATE	19/01/2022
	CHECKED	B.ISARD	DATE	19/01/2022
	APPROVED	R.N.POTTS	DATE	19/01/2022

SURFACE FINISH	WEIGHT (Kg)
MATERIAL	
ALTERNATIVE MATERIAL	

THIS DRAWING AND ANY INFORMATION OR DESCRIPTIVE MATTER THEREIN IS COMMUNICATED IN CONFIDENCE AND IS THE COPYRIGHT PROPERTY OF EUROPEAN SAFETY SYSTEMS LTD. NEITHER THE WHOLE OR ANY EXTRACT MAY BE DISCLOSED, LOANED, COPIED OR USED FOR MANUFACTURING OR TENDERING PURPOSES WITHOUT THEIR WRITTEN CONSENT.

© EUROPEAN SAFETY SYSTEMS LTD.  
AS PER LATEST DATE OF ISSUE SHOWN ABOVE

EUROPEAN SAFETY SYSTEMS LTD  
IMPRESS HOUSE  
MANSELL ROAD  
LONDON W3 7QH  
WWW.E2S.COM

ALL DIMENSIONS IN MM IF IN DOUBT, ASK - DO NOT SCALE			<b>A3</b>
TITLE D1xC1X / D1xC2X / STExC1X DC SOUNDER / XENON WIRING DIAGRAMS			
SCALE	SHEET	DRAWING NUMBER	
NTS	5 of 6	D190-06-301	

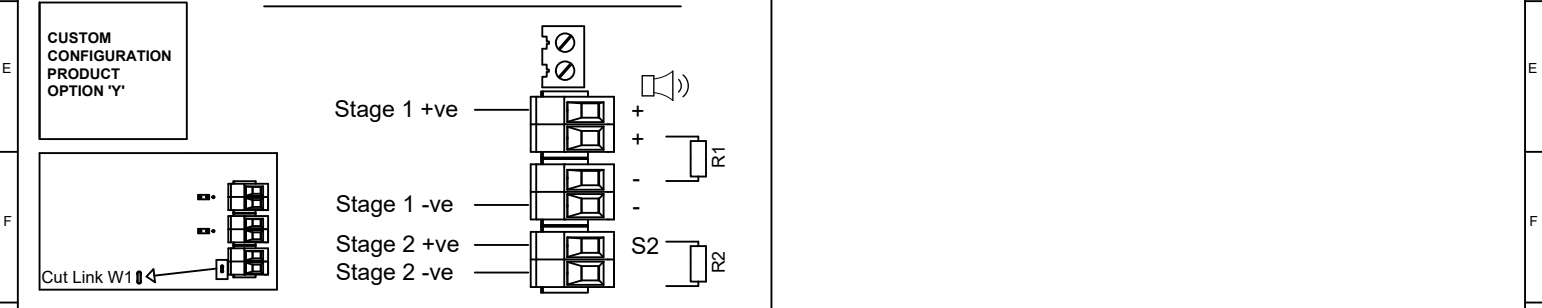
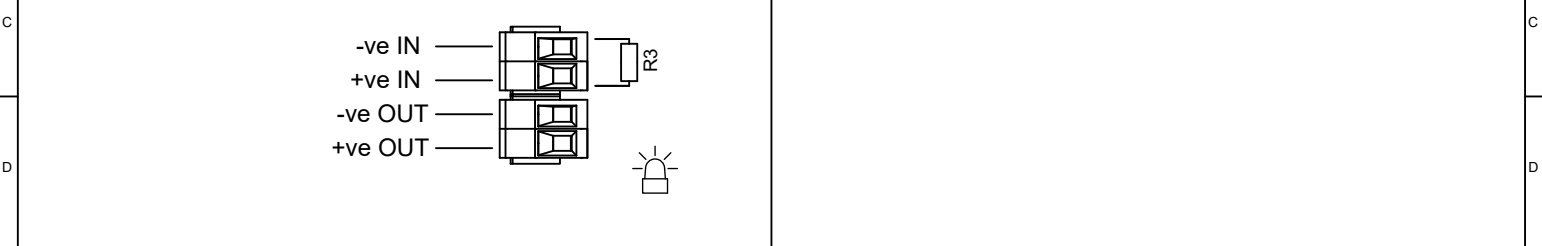
OPTIONAL LINE MONITORING RESISTOR, CUSTOMER SUPPLIED.  
 RECOMMENDED MINIMUM VALUES:  
 14V MAX SYSTEM = 120Ω MIN, 2W MIN OR 1KΩ MIN, 0.5W MIN  
 28V MAX SYSTEM = 470Ω MIN, 2W MIN OR 2.4KΩ MIN, 0.5W MIN

SWITCHES FOR STAGE OPERATION  
 CUSTOMER SUPPLIED

**Independent Sounder & Beacon Activation (Remove Link Wires)**

<b>Two Stage Configuration</b>	<b>Config.: 8</b>
Independent Stage Input Line Stage Monitoring (Use suitable monitoring relays/modules) <b>Not to be used for reverse polarity monitoring</b>	

Stage 1: Apply Power to Stage 1 +ve & Stage 1 -ve  
 Stage 1: Apply Power to Stage 2 +ve & Stage 2 -ve



<b>G</b>	DRAWING TO BS8888:2000 GEOMETRIC TOLERANCES TO ISO1101:1983 LINEAR DIMENSIONAL TOLS ANGULAR DIMENSIONAL TOLS	DRAWN <b>R.S.RAIT</b>	DATE <b>19/01/2022</b>	SURFACE FINISH	WEIGHT (Kg)	THIS DRAWING AND ANY INFORMATION OR DESCRIPTIVE MATTER THEREIN IS COMMUNICATED IN CONFIDENCE AND IS THE COPYRIGHT PROPERTY OF EUROPEAN SAFETY SYSTEMS LTD. NEITHER THE WHOLE OR ANY EXTRACT MAY BE DISCLOSED, LOANED, COPIED OR USED FOR MANUFACTURING OR TENDERING PURPOSES WITHOUT THEIR WRITTEN CONSENT.  © EUROPEAN SAFETY SYSTEMS LTD. AS PER LATEST DATE OF ISSUE SHOWN ABOVE	 EUROPEAN SAFETY SYSTEMS LTD IMPRESS HOUSE MANSELL ROAD FULFORD LONDON W3 7QH WWW.E2S.COM	ALL DIMENSIONS IN MM IF IN DOUBT, ASK - DO NOT SCALE		<b>A3</b>		
	STANDARDS  ALERTALARM RANGE	CHECKED <b>B.ISARD</b>	DATE <b>19/01/2022</b>	ALTERNATIVE MATERIAL	<b>TITLE D1xC1X / D1xC2X / STExC1X DC SOUNDER / XENON WIRING DIAGRAMS</b>							
		APPROVED <b>R.N.POTTS</b>	DATE <b>19/01/2022</b>		SCALE <b>NTS</b>			SHEET <b>6 of 6</b>	DRAWING NUMBER <b>D190-06-301</b>			