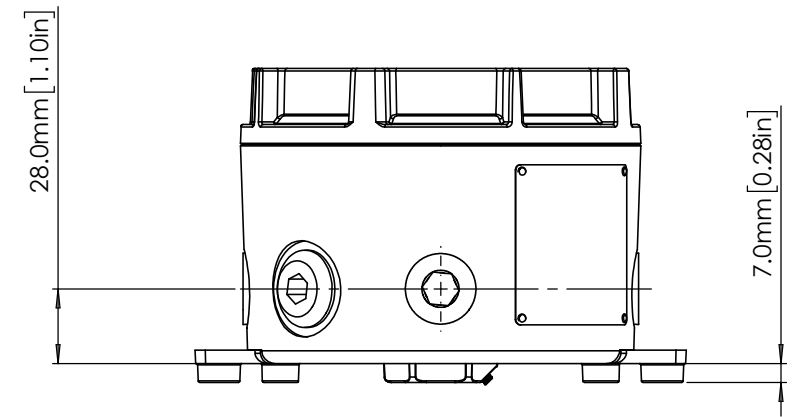
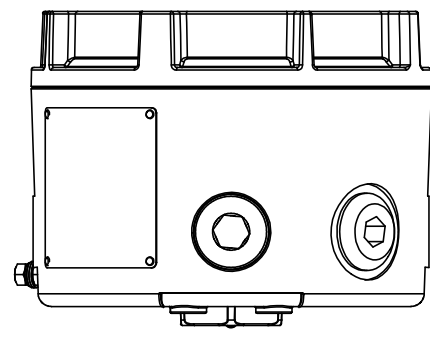
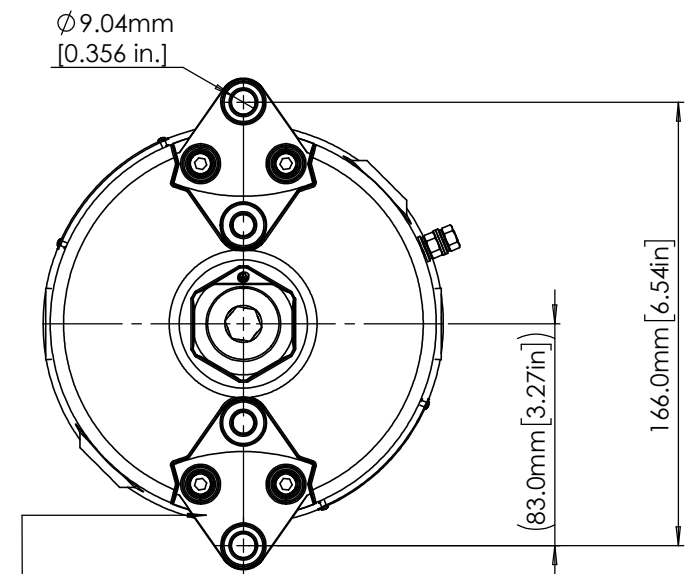
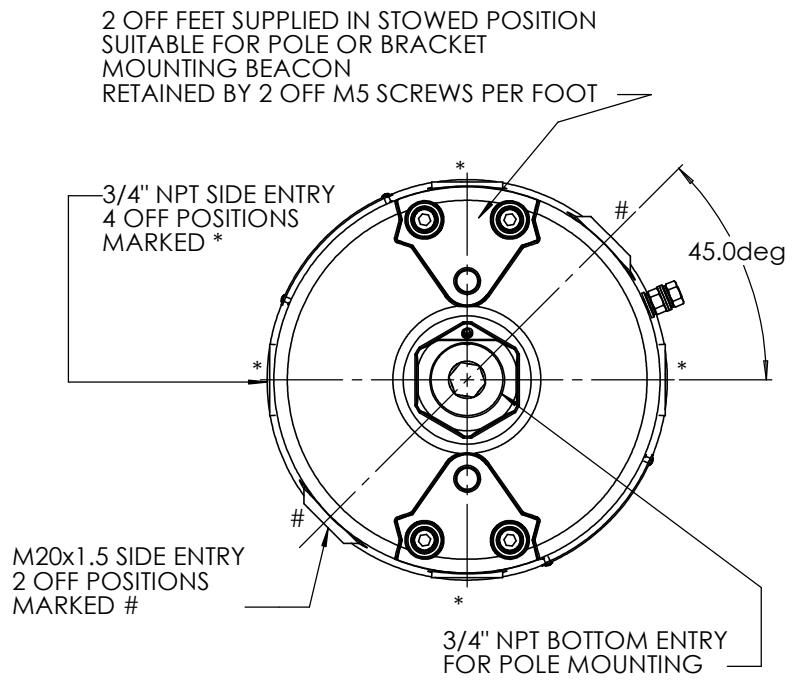
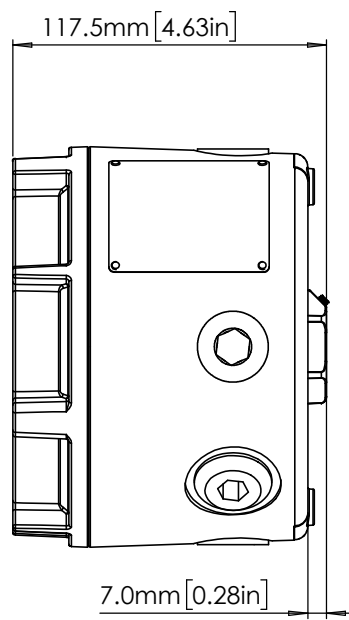
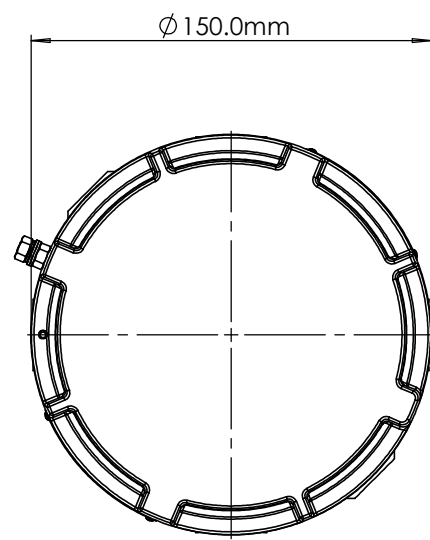
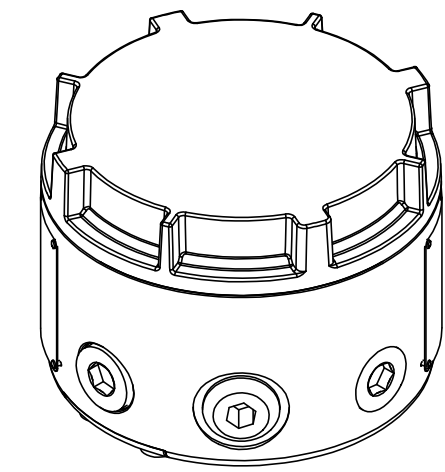


ISSUE	MOD No.	REASON - INITIAL - DATE
1		INTRODUCTION RSR 16-10-2018



BASE CONFIGURED WITH MOUNTING
FEET SET OUT FOR SURFACE MOUNTING
BEACON



E2S PART No.	DESCRIPTION	DATA REFERENCE
D1xJ2	D1xJ2 JUNCTION BOX	1-25-025

DRAWING TO BS8888:2000 GEOMETRIC TOLERANCES TO ISO1101:1983 LINEAR DIMENSIONAL TOLS ANGULAR DIMENSIONAL TOLS	DRAWN R.N.POTTS	DATE 09-04-2018	SURFACE FINISH	WEIGHT (Kg)	THIS DRAWING AND ANY INFORMATION OR DESCRIPTIVE MATTER THEREIN IS COMMUNICATED IN CONFIDENCE AND IS THE COPYRIGHT PROPERTY OF EUROPEAN SAFETY SYSTEMS LTD. NEITHER THE WHOLE OR ANY EXTRACT MAY BE DISCLOSED, LOANED, COPIED OR USED FOR MANUFACTURING OR TENDERING PURPOSES WITHOUT THEIR WRITTEN CONSENT.	 EUROPEAN SAFETY SYSTEMS LTD IMPRESS HOUSE MANSELL ROAD ACTON LONDON W3 7QH WWW.E2S.COM	ALL DIMENSIONS IN MM IF IN DOUBT, ASK - DO NOT SCALE		 A2	
	CHECKED B.ISARD	DATE 09-04-2018					MATERIAL	TITLE D1xJ2 JUNCTION BOX - OUTLINE DRAWING		
	APPROVED R.N.POTTS	DATE 09-04-2018					ALTERNATIVE MATERIAL	SCALE 1:2		SHEET 1 OF 1