

OPTIONAL LINE MONITORING RESISTOR, CUSTOMER SUPPLIED,
RECOMMENDED MINIMUM VALUES:
24VDC : 1KΩ MIN, 2W MIN OR 3K9Ω MIN, 0.5W MIN
48VDC : 3.9KΩ MIN, 2W MIN OR 15KΩ MIN, 0.5W MIN

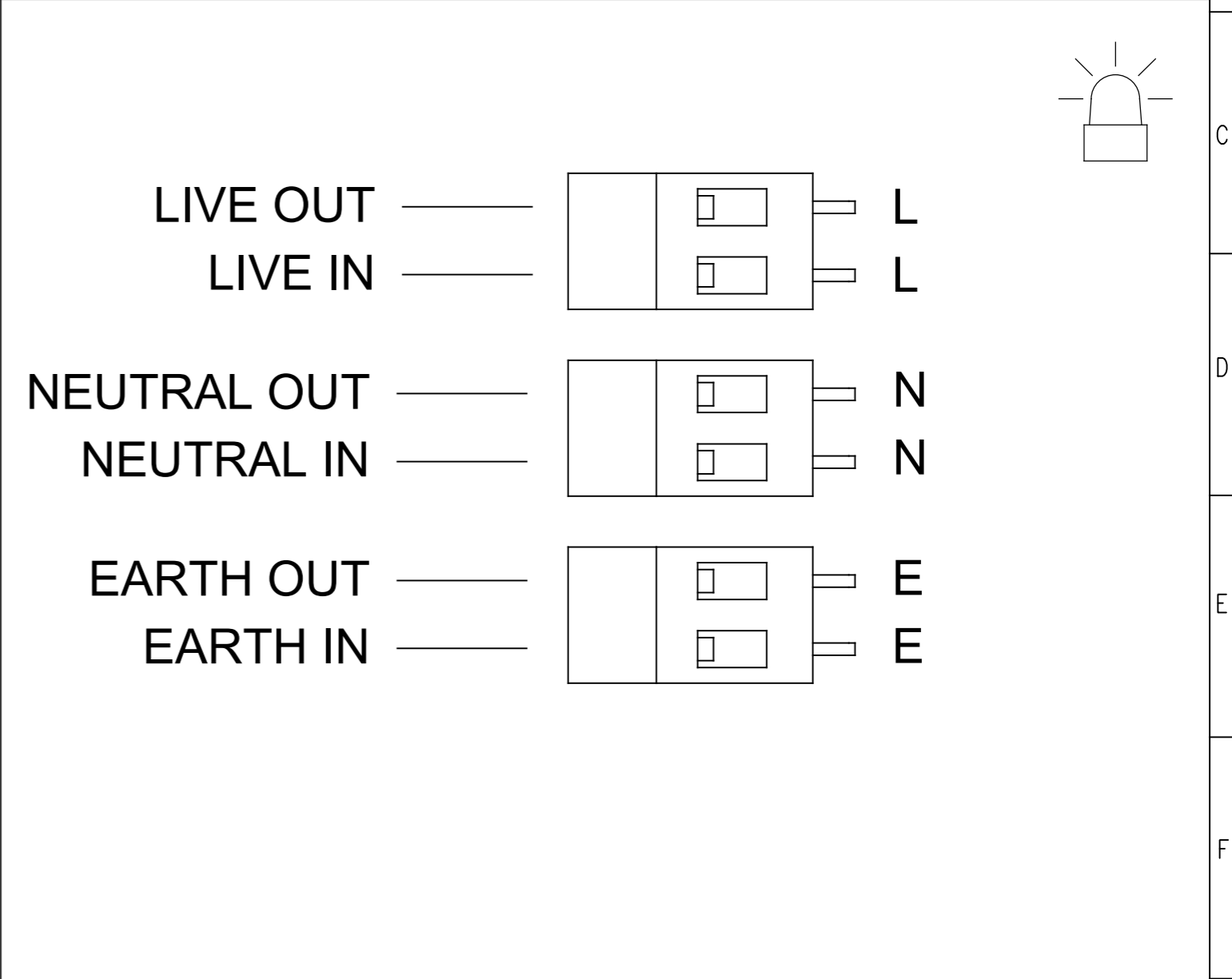
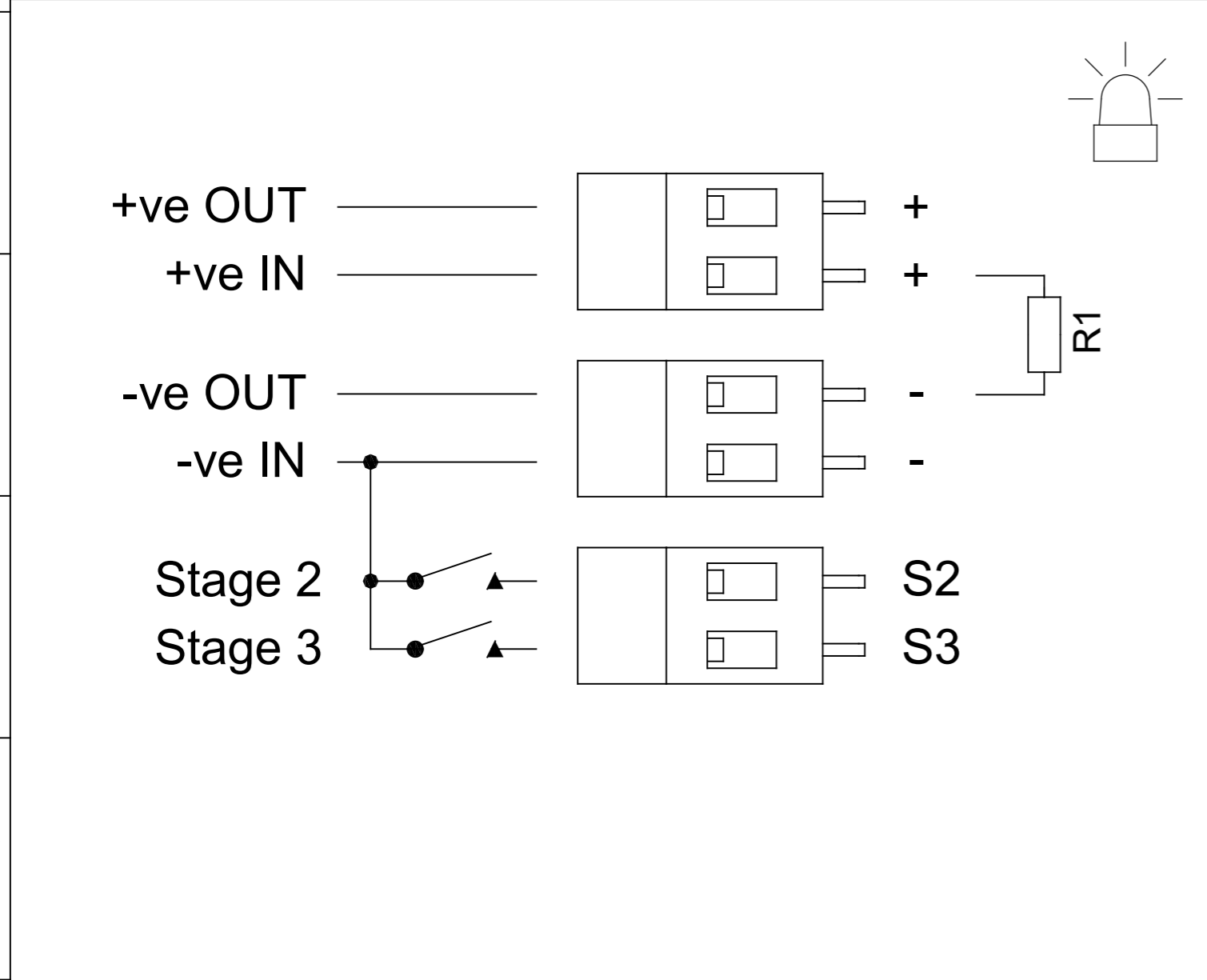
ISSUE	MOD No.	REASON - INITIAL - DATE
1		INTRODUCTION RSR 28-11-2019
2		UPDATED FORMAT DH 17-05-2022

DC LED D2XB1LD2 UNITS

AC LED D2XB1LD2 UNITS

Line Monitoring
 Stage 1 Flash Pattern: Apply power to +ve & -ve
 Stage 2 Flash Pattern: Apply power to +ve & -ve. Connect Stage 2 to -ve
 Stage 3 Flash Pattern: Apply power to +ve & -ve. Connect Stage 3 to -ve

Power: Live & Neutral



DRAWING TO BS8888:2000
 GEOMETRIC TOLERANCES TO ISO1101:1983
 LINEAR DIMENSIONAL TOLS +/-0.35mm
 ANGULAR DIMENSIONAL TOLS +/-2 deg
 STANDARDS
 GNEXCP7PT UL 38

DRAWN	DATE
R.S. RAIT	27-06-2019
CHECKED	DATE
B. ISARD	27-06-2019
APPROVED	DATE
R.N.POTTS	27-06-2019

SURFACE FINISH	WEIGHT (Kg)
MATERIAL	
ALTERNATIVE MATERIAL	

THIS DRAWING AND ANY INFORMATION OR DESCRIPTIVE MATTER THEREIN IS COMMUNICATED IN CONFIDENCE AND IS THE COPYRIGHT PROPERTY OF EUROPEAN SAFETY SYSTEMS LTD. NEITHER THE WHOLE OR ANY EXTRACT MAY BE DISCLOSED, LOANED, COPIED OR USED FOR MANUFACTURING OR TENDERING PURPOSES WITHOUT THEIR WRITTEN CONSENT.

© EUROPEAN SAFETY SYSTEMS LTD.
AS PER LATEST DATE OF ISSUE SHOWN ABOVE

e2s
warning signals
 EUROPEAN SAFETY SYSTEMS LTD
 IMPRESS HOUSE
 MANSELL ROAD
 ACTON
 LONDON W3 7QH
 WWW.E2S.COM

ALL DIMENSIONS IN MM
 IF IN DOUBT, ASK -
 DO NOT SCALE

TITLE D2XB1LD2 BEACONS WIRING DIAGRAM

SCALE	SHEET	DRAWING NUMBER
NTS	1 OF 1	D211-06-401