

8	9	10
ISSUE	MOD No.	INITIAL/DATE
1		INTRODUCTION DH 12-09-22



BExCBGL2-05D
24V DC

BExCBGL2-05D
48V DC

BExCBGL2-05D
115V AC

BExCBGL2-05D
230V AC

BExCBGL2-05D Combined LED / Xenon Beacon
Input Voltage: 24V DC Current (LED / Xenon): 240mA/300mA

	<p>Ex db IIB T5 Gb Ta. -50°C to +40°C Ex db IIB T4 Gb Ta. -50°C to +70°C Ex tb IIIC T95°C Db Ta. -50°C to +40°C Ex tb IIIC T110°C Db Ta. -50°C to +55°C Ex tb IIIC T125°C Db Ta. -50°C to +70°C</p> <p>KEMA 01ATEX2222X IECEX KEM 10.0024X UL22UKEX2637X</p> <p>Year / Serial No. 22/1DCB3200533</p> <p>"WARNING" DO NOT OPEN WHEN ENERGIZED COVER BOLTS CLASS A4-80 DO NOT OPEN WHEN AN EXPLOSIVE GAS OR DUST ATMOSPHERE IS PRESENT USE HEAT RESISTING CABLES AND CABLE GLANDS (Rated 110°C) AT AMB. TEMPERATURES OVER 40°C POTENTIAL ELECTROSTATIC CHARGING HAZARD</p> <p> European Safety Systems Ltd. www.e2s.com Impress House, Mansell Road, London W3 7QH, UK</p>
---	--

CABLE ENTRIES
M20 x 1.5

50

60

BExCBGL2-05D Combined LED / Xenon Beacon
Input Voltage: 48V DC Current (LED / Xenon): 130mA/180mA

	<p>Ex db IIB T5 Gb Ta. -50°C to +40°C Ex db IIB T4 Gb Ta. -50°C to +70°C Ex tb IIIC T95°C Db Ta. -50°C to +40°C Ex tb IIIC T110°C Db Ta. -50°C to +55°C Ex tb IIIC T125°C Db Ta. -50°C to +70°C</p> <p>KEMA 01ATEX2222X IECEX KEM 10.0024X UL22UKEX2637X</p> <p>Year / Serial No. 22/1DCB3600534</p> <p>"WARNING" DO NOT OPEN WHEN ENERGIZED COVER BOLTS CLASS A4-80 DO NOT OPEN WHEN AN EXPLOSIVE GAS OR DUST ATMOSPHERE IS PRESENT USE HEAT RESISTING CABLES AND CABLE GLANDS (Rated 110°C) AT AMB. TEMPERATURES OVER 40°C POTENTIAL ELECTROSTATIC CHARGING HAZARD</p> <p> European Safety Systems Ltd. www.e2s.com Impress House, Mansell Road, London W3 7QH, UK</p>
---	--

CABLE ENTRIES
M20 x 1.5

BExCBGL2-05D Combined LED / Xenon Beacon
Input Voltage: 115V AC Current (LED / Xenon): 83/140mA

	<p>Ex db IIB T5 Gb Ta. -50°C to +40°C Ex db IIB T4 Gb Ta. -50°C to +70°C Ex tb IIIC T95°C Db Ta. -50°C to +40°C Ex tb IIIC T110°C Db Ta. -50°C to +55°C Ex tb IIIC T125°C Db Ta. -50°C to +70°C</p> <p>KEMA 01ATEX2222X IECEX KEM 10.0024X UL22UKEX2637X</p> <p>Year / Serial No. 22/1DCB3500535</p> <p>"WARNING" DO NOT OPEN WHEN ENERGIZED COVER BOLTS CLASS A4-80 DO NOT OPEN WHEN AN EXPLOSIVE GAS OR DUST ATMOSPHERE IS PRESENT USE HEAT RESISTING CABLES AND CABLE GLANDS (Rated 110°C) AT AMB. TEMPERATURES OVER 40°C POTENTIAL ELECTROSTATIC CHARGING HAZARD</p> <p> European Safety Systems Ltd. www.e2s.com Impress House, Mansell Road, London W3 7QH, UK</p>
---	--

CABLE ENTRIES
M20 x 1.5

BExCBGL2-05D Combined LED / Xenon Beacon
Input Voltage: 230V AC Current (LED / Xenon): 48/55mA

	<p>Ex db IIB T5 Gb Ta. -50°C to +40°C Ex db IIB T4 Gb Ta. -50°C to +70°C Ex tb IIIC T95°C Db Ta. -50°C to +40°C Ex tb IIIC T110°C Db Ta. -50°C to +55°C Ex tb IIIC T125°C Db Ta. -50°C to +70°C</p> <p>KEMA 01ATEX2222X IECEX KEM 10.0024X UL22UKEX2637X</p> <p>Year / Serial No. 22/1DCB3300536</p> <p>"WARNING" DO NOT OPEN WHEN ENERGIZED COVER BOLTS CLASS A4-80 DO NOT OPEN WHEN AN EXPLOSIVE GAS OR DUST ATMOSPHERE IS PRESENT USE HEAT RESISTING CABLES AND CABLE GLANDS (Rated 110°C) AT AMB. TEMPERATURES OVER 40°C POTENTIAL ELECTROSTATIC CHARGING HAZARD</p> <p> European Safety Systems Ltd. www.e2s.com Impress House, Mansell Road, London W3 7QH, UK</p>
---	--

CABLE ENTRIES
M20 x 1.5


DRAWING TO BS8888:2000
GEOMETRIC TOLERANCES TO
ISO1101:1983
LINEAR DIMENSIONAL TOLS +/-0.35mm
ANGULAR DIMENSIONAL TOLS +/-2 deg

STANDARDS
BEx

DRAWN	DATE	21-03-22
D.HOWGILL		
CHECKED	DATE	21-03-22
R.N.POTTS		
APPROVED	DATE	21-03-22
R.N.POTTS		

SURFACE FINISH	WEIGHT (Kg)
MATERIAL	SEE NOTE
ALTERNATIVE MATERIAL	

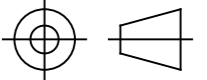
THIS DRAWING AND ANY INFORMATION OR DESCRIPTIVE MATTER THEREIN IS COMMUNICATED IN CONFIDENCE AND IS THE COPYRIGHT PROPERTY OF EUROPEAN SAFETY SYSTEMS LTD. NEITHER THE WHOLE OR ANY EXTRACT MAY BE DISCLOSED, LOANED, COPIED OR USED FOR MANUFACTURING OR TENDERING PURPOSES WITHOUT THEIR WRITTEN CONSENT.

 EUROPEAN SAFETY SYSTEMS LTD.
AS PER LATEST DATE OF ISSUE SHOWN ABOVE


warning signals

EUROPEAN SAFETY SYSTEMS LTD
IMPRESS HOUSE
MANSELL ROAD
ACTON
LONDON W3 7QH
WWW.E2S.COM

ALL DIMENSIONS IN MM
IF IN DOUBT, ASK -
DO NOT SCALE

 A3

TITLE
BExCBGL2-05D Range Product Label

SCALE NTS	SHEET 1 of 1	DRAWING NUMBER D210-09-711
--------------	-----------------	--------------------------------------