

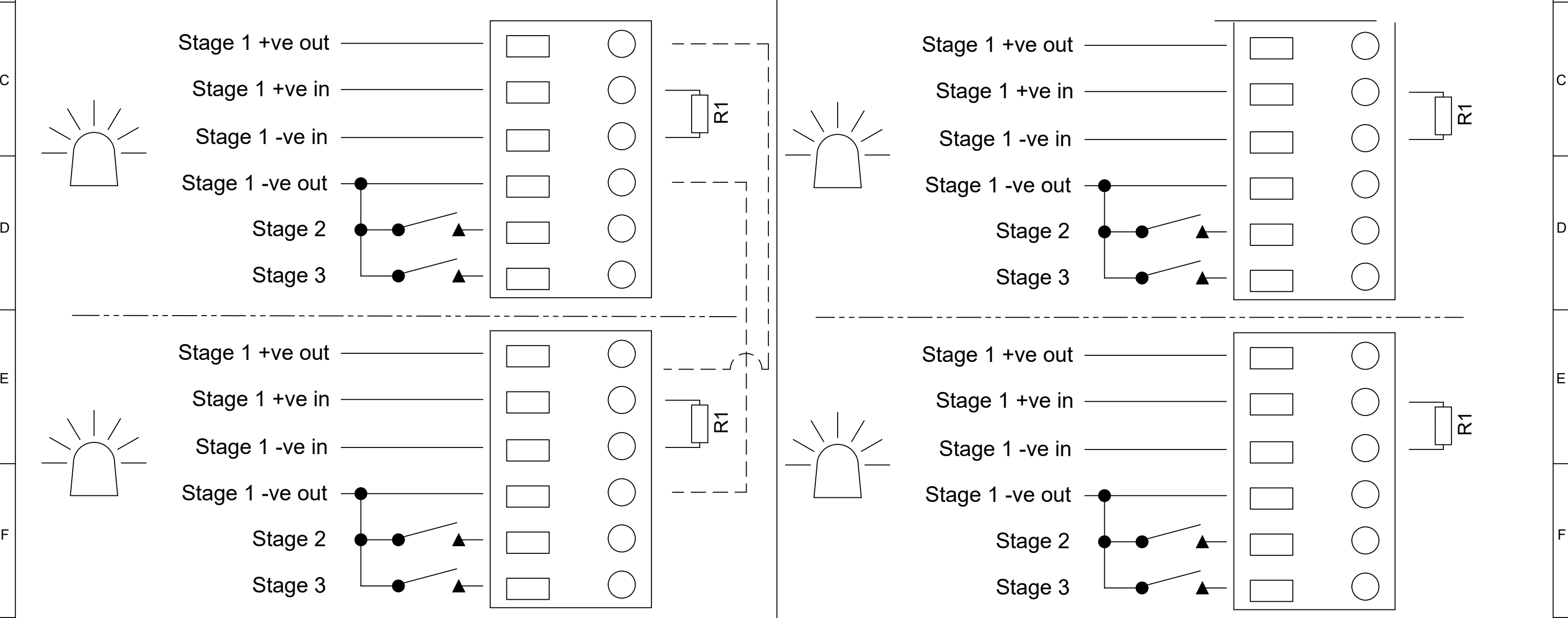
| | | | | | | | | | |
|---|---|---|---|---|---|---|-------|---------|----------------------------------|
| 1 | 2 | 3 | 4 | 5 | 6 | 7 | 8 | 9 | 10 |
| | | | | | | | ISSUE | MOD No. | REASON - INITIAL - DATE |
| | | | | | | | 1 | | INTRODUCTION RSR - 05/09/2022 |

OPTIONAL LINE MONITORING RESISTOR, CUSTOMER SUPPLIED,
 MINIMUM VALUES:
 500Ω MIN, 2W MIN OR 3K3Ω MIN, 0.5W MIN

SWITCHES FOR STAGE OPERATION
 CUSTOMER SUPPLIED

WIRING LINKING BEACONS

| | | | |
|---|-------------|---|-------------|
| Single Stage Configuration - Simultaneous Operation | Config.: 1a | Single Stage Configuration - Independent Operation | Config.: 1b |
| Line Monitoring (Stage 1 only) Negative switching | | Line Monitoring (Stage 1 only) Negative switching | |
| Stage 1 Flash Pattern: Apply Power to Stage 1 +ve & Stage 1 -ve Stage 2 Flash Pattern: Apply Power to Stage 1 +ve & Stage 1 -ve & Connect Stage 2 to -ve Stage 3 Flash Pattern: Apply Power to Stage 1 +ve & Stage 1 -ve & Connect Stage 3 to -ve | | Stage 1 Flash Pattern: Apply Power to Stage 1 +ve & Stage 1 -ve Stage 2 Flash Pattern: Apply Power to Stage 1 +ve & Stage 1 -ve & Connect Stage 2 to -ve Stage 3 Flash Pattern: Apply Power to Stage 1 +ve & Stage 1 -ve & Connect Stage 3 to -ve | |



| | | | | | | | | | | |
|---|----------|------|----------------|-------------|---|--|--|--|---------------|-------|
| DRAWING TO BS8888:2000 GEOMETRIC TOLERANCES TO ISO1101:1983 LINEAR DIMENSIONAL TOLS ANGULAR DIMENSIONAL TOLS | DRAWN | DATE | SURFACE FINISH | WEIGHT (Kg) | THIS DRAWING AND ANY INFORMATION OR DESCRIPTIVE MATTER THEREIN IS COMMUNICATED IN CONFIDENCE AND IS THE COPYRIGHT PROPERTY OF EUROPEAN SAFETY SYSTEMS LTD. NEITHER THE WHOLE OR ANY EXTRACT MAY BE DISCLOSED, LOANED, COPIED OR USED FOR MANUFACTURING OR TENDERING PURPOSES WITHOUT THEIR WRITTEN CONSENT. | EUROPEAN SAFETY SYSTEMS LTD IMPRESS HOUSE MANSSELL ROAD ACTON LONDON W3 7QH WWW.E2S.COM | ALL DIMENSIONS IN MM | | A3 | |
| | CHECKED | DATE | MATERIAL | | | | TITLE BExBGL2D & BExCBL2-L2D DC LED / LED BEACONS WIRING DIAGRAM | | | |
| | APPROVED | DATE | | | | | ALTERNATIVE MATERIAL | | | SCALE |
| | | | | NTS | 1 OF 1 | D210-06-721 | | | | |