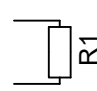


8	9	10
ISSUE	MOD No.	REASON - INITIAL - DATE
1		INTRODUCTION RSR - 05/08/2022

OPTIONAL LINE MONITORING RESISTOR, CUSTOMER SUPPLIED,
REQUIRED MINIMUM VALUES:
70V LINE-IN: 1KΩ MIN, 2W MIN OR 3K9Ω MIN, 0.5W MIN
100V LINE-IN: 3.9KΩ MIN, 2W MIN OR 15KΩ MIN, 0.5W MIN

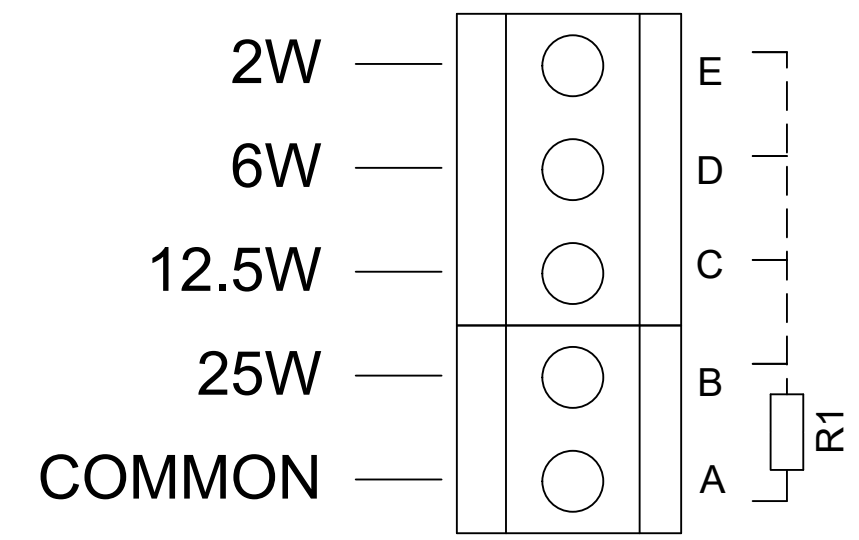
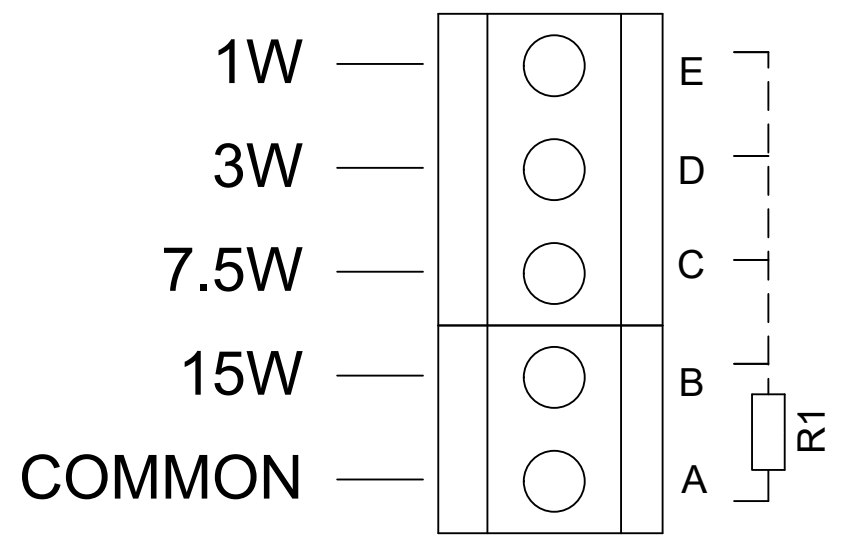


BExL15V070 / BExL15V100 LINE-IN UNITS 70V / 100V

BExL25V070 / BExL25V100 LINE-IN UNITS 70V / 100V

Optional Line Monitoring
15W: Apply Signal to Common & 15W
7.5W: Apply Signal to Common & 7.5W
3W: Apply Signal to Common & 3W
1W: Apply Signal to Common & 1W

Optional Line Monitoring
25W: Apply Signal to Common & 25W
12.5W: Apply Signal to Common & 12.5W
6W: Apply Signal to Common & 6W
2W: Apply Signal to Common & 2W



DRAWING TO BS8888:2000
GEOMETRIC TOLERANCES TO ISO1101:1983
LINEAR DIMENSIONAL TOLS
ANGULAR DIMENSIONAL TOLS

STANDARDS
BEx

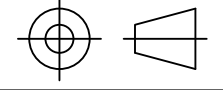
DRAWN	DATE
R.S.RAIT	05/08/2022
CHECKED	DATE
R.N.POTTS	05/08/2022
APPROVED	DATE
R.N.POTTS	05/08/2022

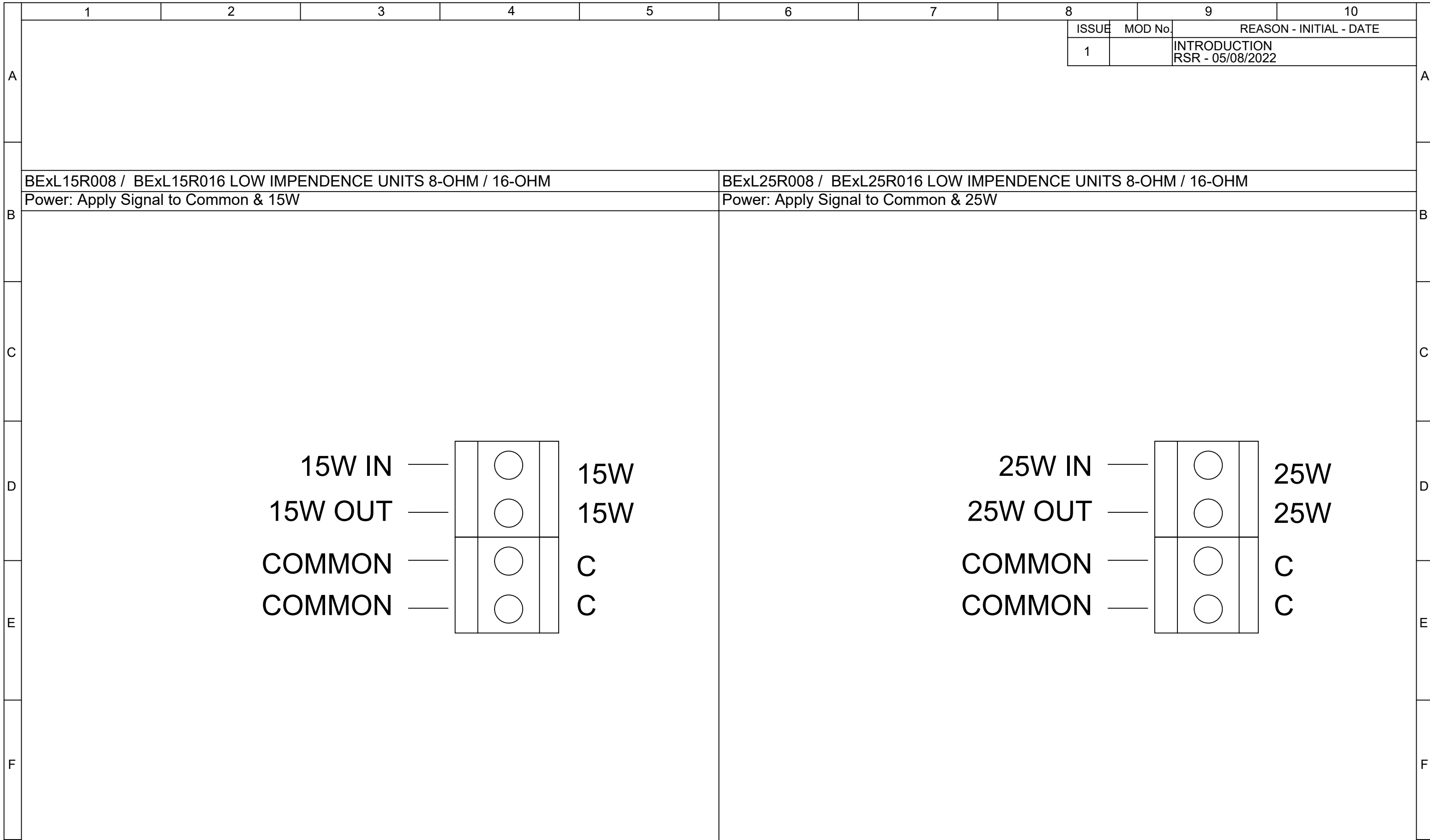
SURFACE FINISH	WEIGHT (Kg)
MATERIAL	
ALTERNATIVE MATERIAL	


THIS DRAWING AND ANY INFORMATION OR DESCRIPTIVE MATTER THEREIN IS COMMUNICATED IN CONFIDENCE AND IS THE COPYRIGHT PROPERTY OF EUROPEAN SAFETY SYSTEMS LTD. NEITHER THE WHOLE OR ANY EXTRACT MAY BE DISCLOSED, LOANED, COPIED OR USED FOR MANUFACTURING OR TENDERING PURPOSES WITHOUT THEIR WRITTEN CONSENT.

© EUROPEAN SAFETY SYSTEMS LTD.
AS PER LATEST DATE OF ISSUE SHOWN ABOVE

 warning signals
EUROPEAN SAFETY SYSTEMS LTD
IMPRESS HOUSE
MANSELL ROAD
ACTON
LONDON W3 7QH
WWW.E2S.COM

ALL DIMENSIONS IN MM IF IN DOUBT, ASK - DO NOT SCALE		A3
TITLE BExL15, BExL25 LOUDSPEAKER WIRING DIAGRAMS		
SCALE NTS	SHEET 1 OF 2	DRAWING NUMBER D210-06-101



DRAWING TO BS8888:2000 GEOMETRIC TOLERANCES TO ISO1101:1983 LINEAR DIMENSIONAL TOLS ANGULAR DIMENSIONAL TOLS	DRAWN	DATE	SURFACE FINISH	WEIGHT (Kg)	THIS DRAWING AND ANY INFORMATION OR DESCRIPTIVE MATTER THEREIN IS COMMUNICATED IN CONFIDENCE AND IS THE COPYRIGHT PROPERTY OF EUROPEAN SAFETY SYSTEMS LTD. NEITHER THE WHOLE OR ANY EXTRACT MAY BE DISCLOSED, LOANED, COPIED OR USED FOR MANUFACTURING OR TENDERING PURPOSES WITHOUT THEIR WRITTEN CONSENT.	 <small>EUROPEAN SAFETY SYSTEMS LTD IMPRESS HOUSE MANSELL ROAD ACTON LONDON W3 7QH WWW.E2S.COM</small>	ALL DIMENSIONS IN MM IF IN DOUBT, ASK - DO NOT SCALE		A3		
	R.S.RAIT		05/08/2022				TITLE BExL15, BExL25 LOUDSPEAKER WIRING DIAGRAMS				
	CHECKED		DATE	MATERIAL			SCALE	SHEET	DRAWING NUMBER		
STANDARDS	R.N.POTTS		05/08/2022	ALTERNATIVE MATERIAL		NTS	2 OF 2	D210-06-101			
BEx	APPROVED		DATE								
	R.N.POTTS		05/08/2022								