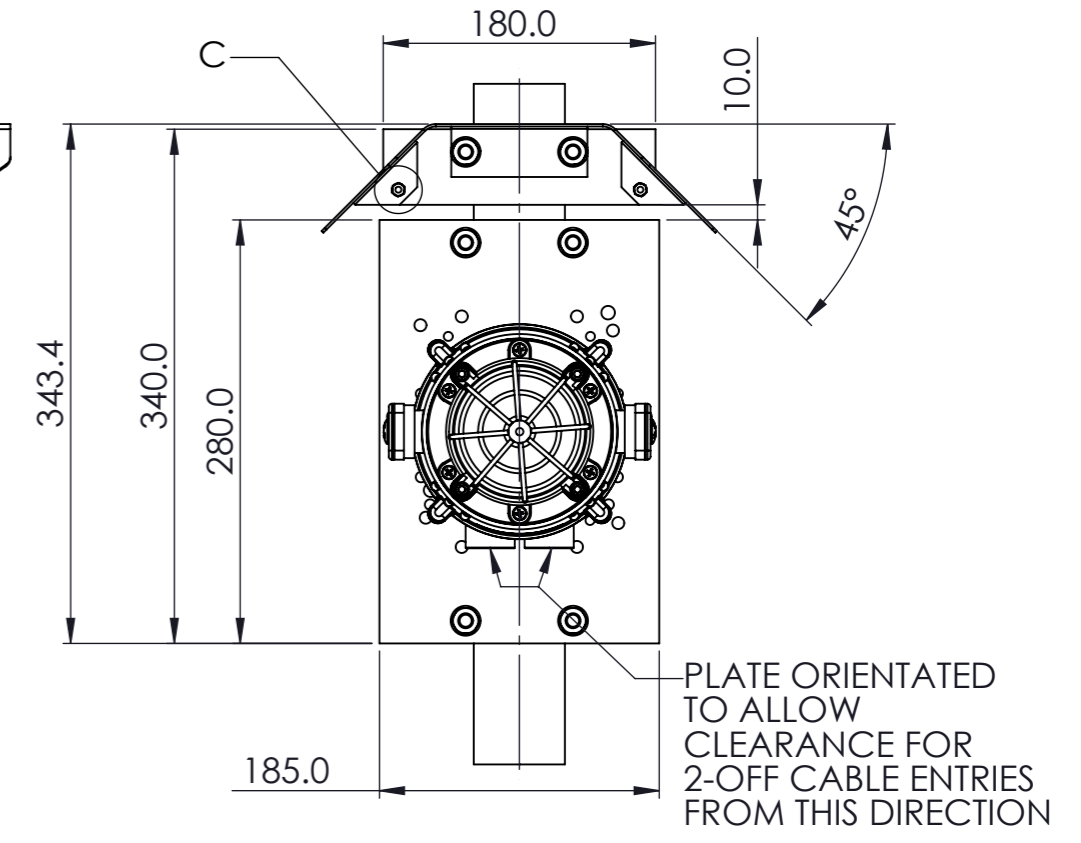
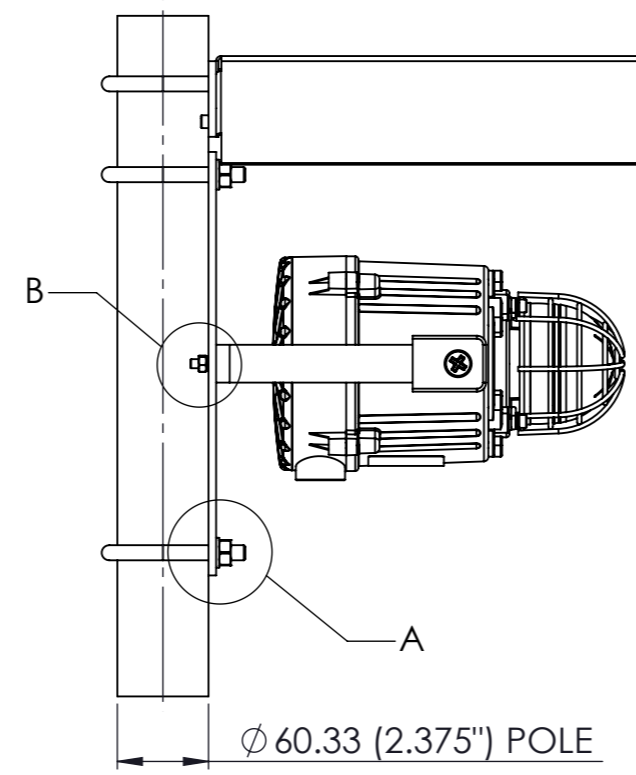
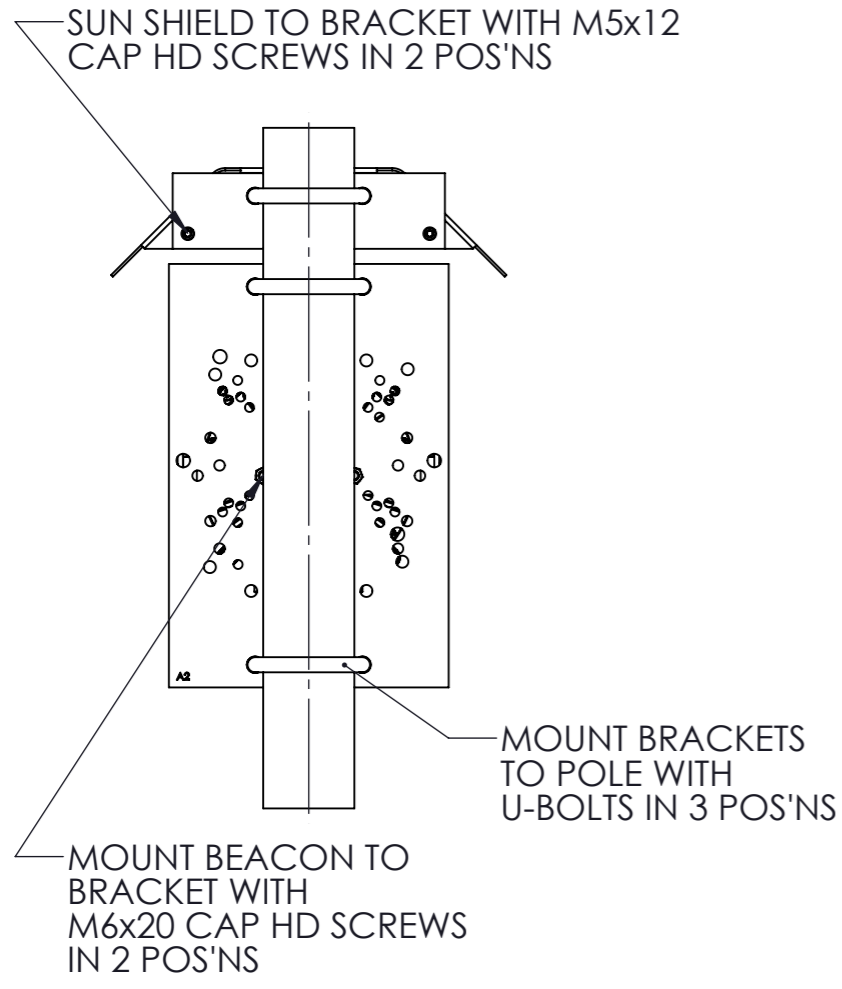
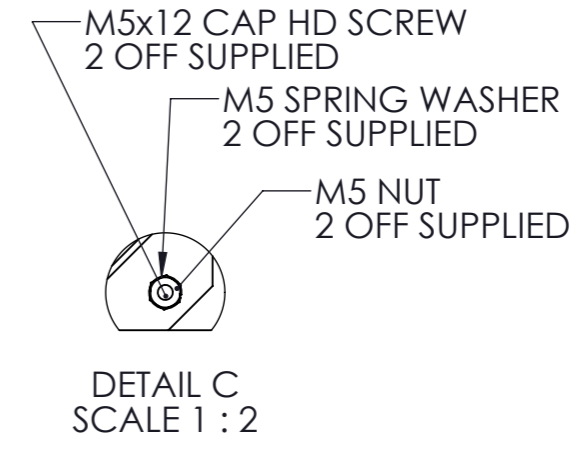
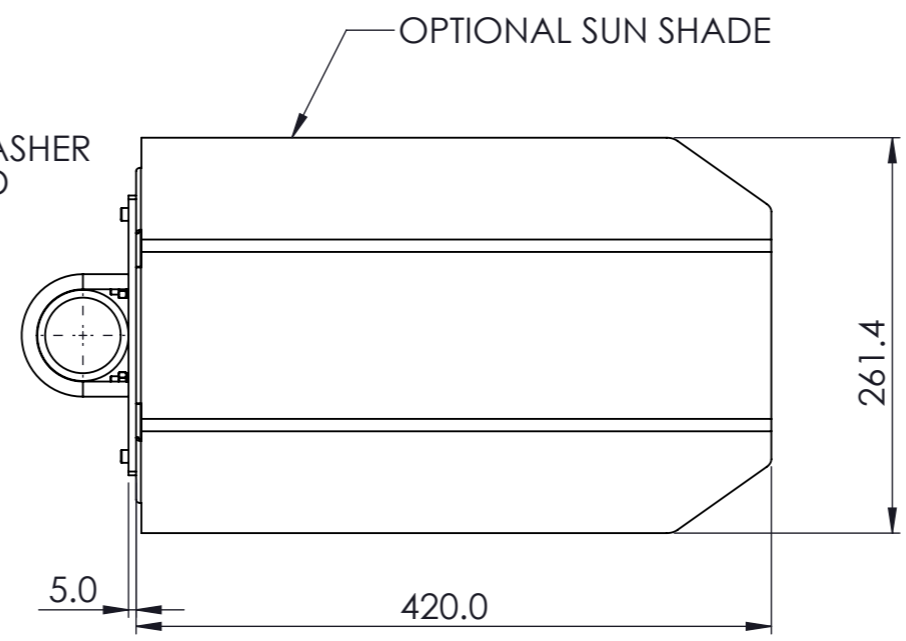
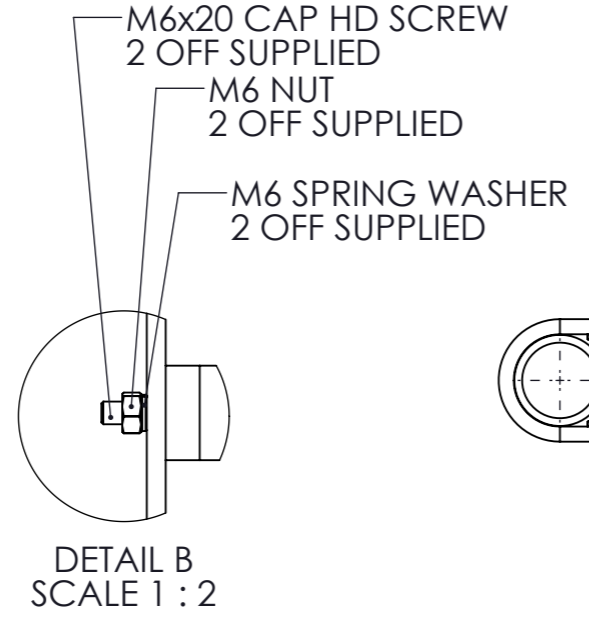
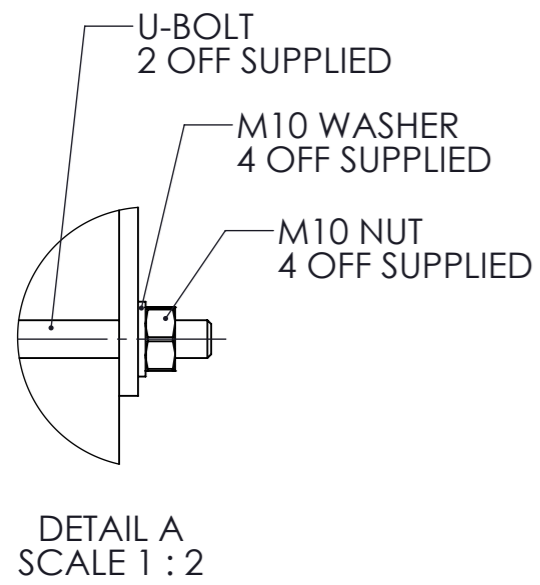


8	9	10
ISSUE	MOD No.	REASON - INITIAL - DATE
A		Introduction MA - 22/11/2022



INSTALLATION OF DN 50mm (NPS 2") POLE MOUNTING BRACKET AND SUN SCREEN FOR THE FOLLOWING EQUIPMENT:-
MBX05 / MBX10 / MBX15 / MBX21 / MBLD2 BEACON UNITS

PART CODES:
SP65-0001-A4
SP65-0003-A4

DESCRIPTION:
POLE MOUNT BRACKET KIT 2" ST/ST A4 (316)
SUNSHADE - ST/ST A4 (316)

DRAWING TO BS8888:2000 GEOMETRIC TOLERANCES TO ISO1101:1983 LINEAR DIMENSIONAL TOLS ANGULAR DIMENSIONAL TOLS	DRAWN	DATE	SURFACE FINISH	WEIGHT (Kg)
	M.ABALOS	22/11/2022		
	CHECKED	DATE		
STANDARDS PRODUCT REF	R.N.POTTS	22/11/2022	ALTERNATIVE MATERIAL	THIS DRAWING AND ANY INFORMATION OR DESCRIPTIVE MATTER THEREIN IS COMMUNICATED IN CONFIDENCE AND IS THE COPYRIGHT PROPERTY OF EUROPEAN SAFETY SYSTEMS LTD. NEITHER THE WHOLE OR ANY EXTRACT MAY BE DISCLOSED, LOANED, COPIED OR USED FOR MANUFACTURING OR TENDERING PURPOSES WITHOUT THEIR WRITTEN CONSENT. EUROPEAN SAFETY SYSTEMS LTD. AS PER LATEST DATE OF ISSUE SHOWN ABOVE
	APPROVED	DATE		
R.N.POTTS	22/11/2022			

© EUROPEAN SAFETY SYSTEMS LTD.
AS PER LATEST DATE OF ISSUE SHOWN ABOVE

e2S
warning signals

EUROPEAN SAFETY SYSTEMS LTD
IMPRESS HOUSE
MANSELL ROAD
ACTON
LONDON W3 7QH
WWW.E2S.COM

ALL DIMENSIONS IN MM IF IN DOUBT, ASK - DO NOT SCALE					A3
TITLE DN 50mm (NPS 2") POLE & SUN SCREEN M RANGE BEACONS					
SCALE	SHEET	DRAWING NUMBER			
1:5	1 OF 1	D217-05-291			