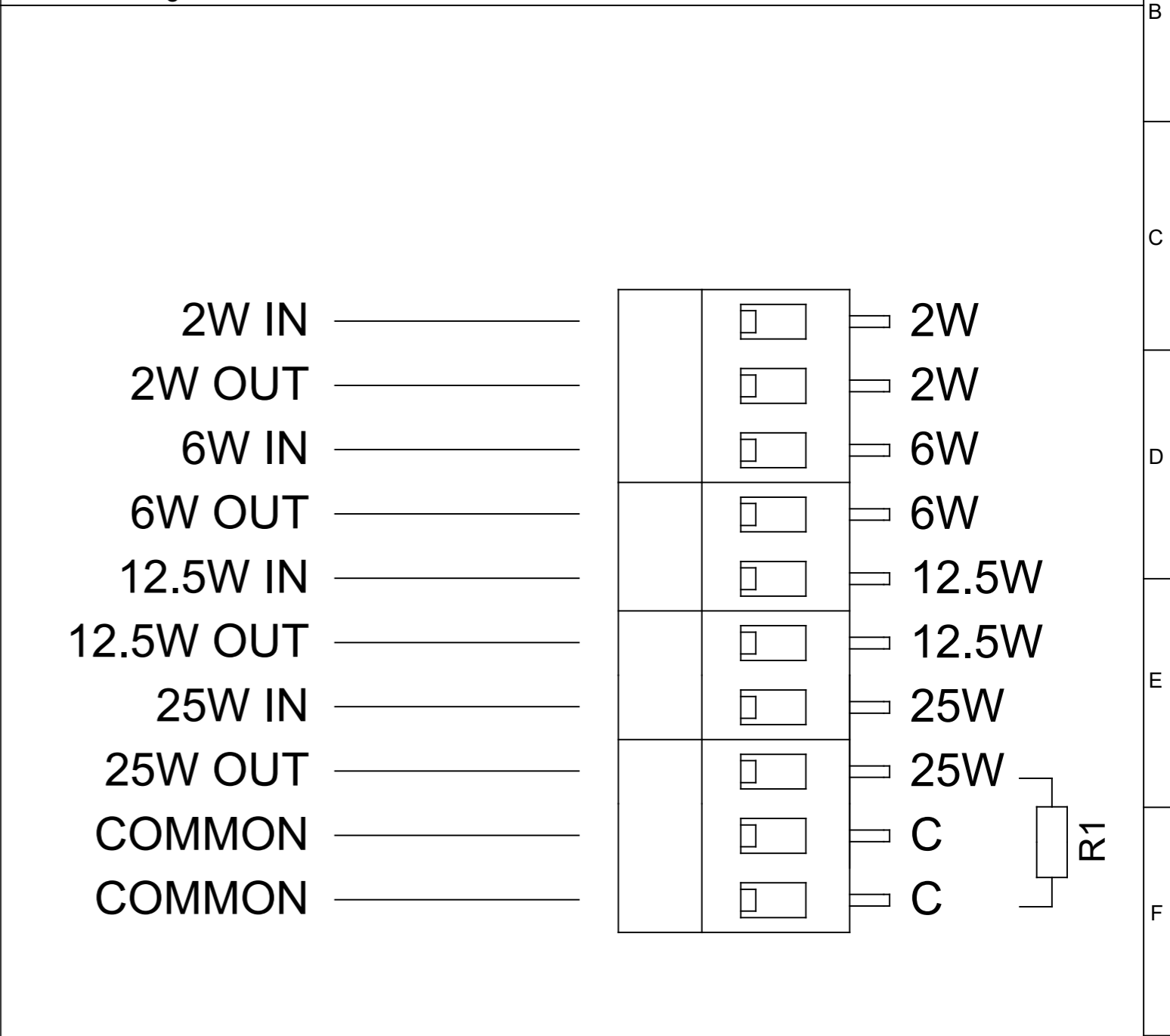
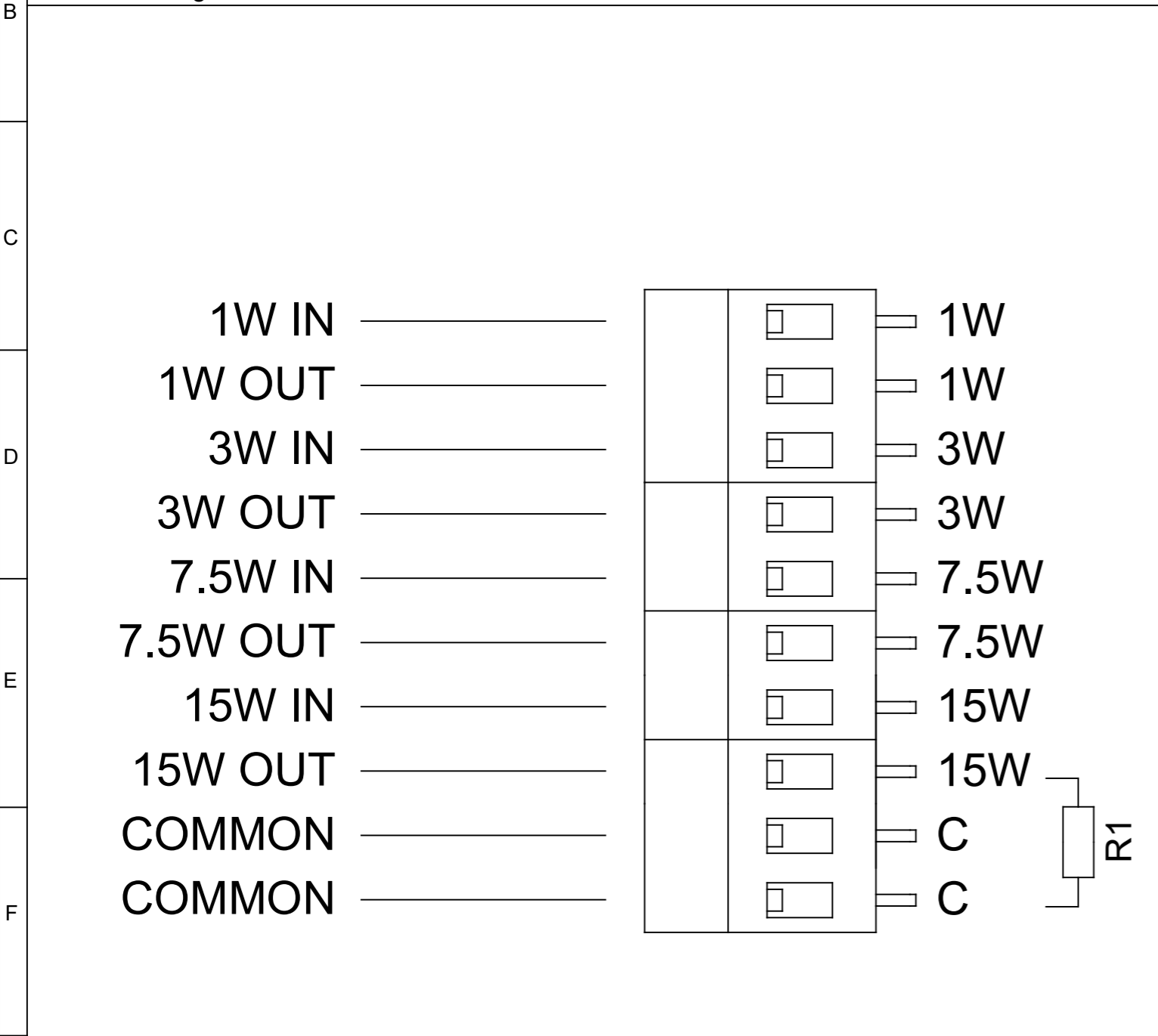


1	2	3	4	5	6	7	8	9	10
							ISSUE	MOD No.	REASON - INITIAL - DATE
							A		INTRODUCTION RSR - 05/08/2020
							B		FORMAT UPDATED DH - 17/05/2022

OPTIONAL LINE MONITORING RESISTOR, CUSTOMER SUPPLIED,  
REQUIRED MINIMUM VALUES:  
70V LINE-IN: 1KΩ MIN, 2W MIN OR 3K9Ω MIN, 0.5W MIN  
100V LINE-IN: 3.9KΩ MIN, 2W MIN OR 15KΩ MIN, 0.5W MIN

E2XL15V070 / E2XL15V100 LINE-IN UNITS 70V / 100V  
Line Monitoring

E2XL25V070 / E2XL25V100 LINE-IN UNITS 70V / 100V  
Line Monitoring



DRAWING TO BS8888:2000 GEOMETRIC TOLERANCES TO ISO1101:1983 LINEAR DIMENSIONAL TOLS ANGULAR DIMENSIONAL TOLS	DRAWN R.S.RAIT	DATE 05/08/2020	SURFACE FINISH	WEIGHT (Kg)	THIS DRAWING AND ANY INFORMATION OR DESCRIPTIVE MATTER THEREIN IS COMMUNICATED IN CONFIDENCE AND IS THE COPYRIGHT PROPERTY OF EUROPEAN SAFETY SYSTEMS LTD. NEITHER THE WHOLE OR ANY EXTRACT MAY BE DISCLOSED, LOANED, COPIED OR USED FOR MANUFACTURING OR TENDERING PURPOSES WITHOUT THEIR WRITTEN CONSENT.	 EUROPEAN SAFETY SYSTEMS LTD IMPRESS HOUSE MANSELL ROAD ACTON LONDON W3 7QH WWW.E2S.COM	ALL DIMENSIONS IN MM IF IN DOUBT, ASK - DO NOT SCALE			A3
	CHECKED R.N.POTTS	DATE 05/08/2020	MATERIAL				TITLE E2xL15, E2xL25 LOUDSPEAKER WIRING DIAGRAMS			
	STANDARDS Ex N	APPROVED R.N.POTTS	DATE 05/08/2020	ALTERNATIVE MATERIAL			SCALE NTS	SHEET 1 OF 2	DRAWING NUMBER D209-06-101	

ISSUE	MOD No.	REASON - INITIAL - DATE
A		INTRODUCTION RSR - 05/08/2020
B		FORMAT UPDATED DH - 17/05/2022

A

A

B

B

C

C

D

D

E

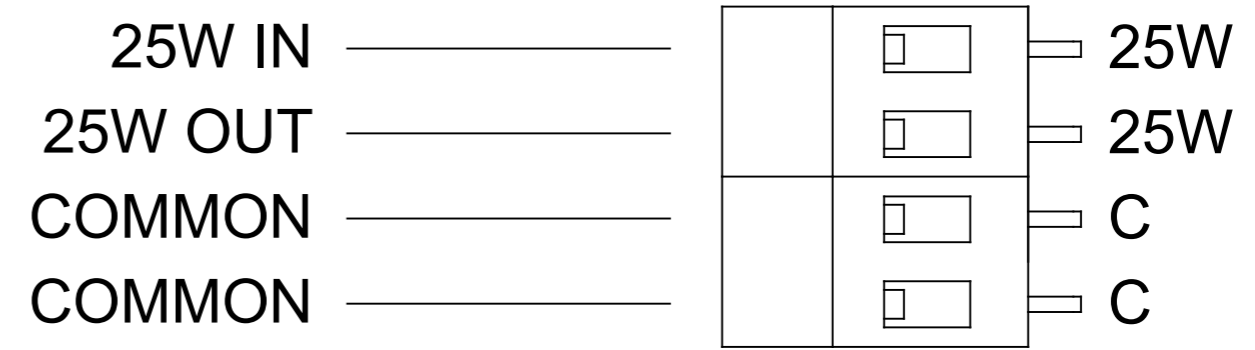
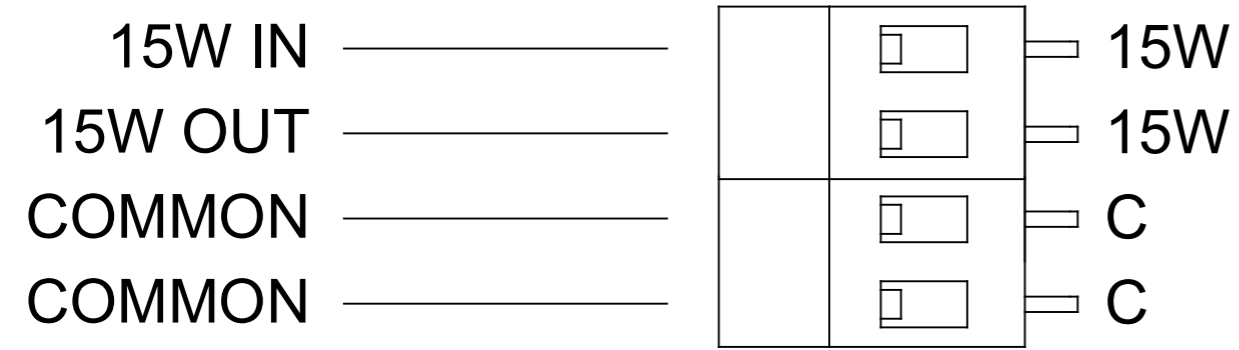
E

F

F

E2XL15R008 / E2XL15R016 LOW IMPEDENCE UNITS 8-OHM / 16-OHM

E2XL25R008 / E2XL25R016 LOW IMPEDENCE UNITS 8-OHM / 16-OHM



DRAWING TO BS8888:2000 GEOMETRIC TOLERANCES TO ISO1101:1983 LINEAR DIMENSIONAL TOLS ANGULAR DIMENSIONAL TOLS	DRAWN	DATE	SURFACE FINISH	WEIGHT (Kg)	THIS DRAWING AND ANY INFORMATION OR DESCRIPTIVE MATTER THEREIN IS COMMUNICATED IN CONFIDENCE AND IS THE COPYRIGHT PROPERTY OF EUROPEAN SAFETY SYSTEMS LTD. NEITHER THE WHOLE OR ANY EXTRACT MAY BE DISCLOSED, LOANED, COPIED OR USED FOR MANUFACTURING OR TENDERING PURPOSES WITHOUT THEIR WRITTEN CONSENT.  © EUROPEAN SAFETY SYSTEMS LTD. AS PER LATEST DATE OF ISSUE SHOWN ABOVE	warning signals  EUROPEAN SAFETY SYSTEMS LTD IMPRESS HOUSE MANSELL ROAD ACTON LONDON W3 7QH WWW.E2S.COM	ALL DIMENSIONS IN MM		<b>A3</b>
	R.S.RAIT	05/08/2020	MATERIAL				IF IN DOUBT, ASK - DO NOT SCALE		
	STANDARDS	CHECKED	DATE	ALTERNATIVE MATERIAL			TITLE <b>E2xL15, E2xL25</b> <b>LOUDSPEAKER WIRING DIAGRAMS</b>		
Ex N	R.N.POTTS	05/08/2020			SCALE	SHEET	DRAWING NUMBER		
	R.N.POTTS	05/08/2020			<b>NTS</b>	<b>2 OF 2</b>	<b>D209-06-101</b>		

G

G