

1

SPECTRA B300LDA

L.E.D. Array Beacon
 16 x High powered L.E.D's
 9 Selectable user modes
 IP Rating: IP65
 Temp: -25°C to +50°C
 Unit weight: 285g
 CE, UKCA



Dimensions : Ø100 x 150mm
 1.5mm² terminals
 Cable entry: 1 x 5-7mm push through
 grommet
 1 x M20 cable entry (IP65)

x = Lens colour
 R = Red A = Amber
 B = Blue G = Green
 Y = Yellow

Mountings
 B300RAB001 Right angle bracket
 B300TMA001 Tube mounting assembly


Order code Voltage
 B300LDA050B/x 10-50V DC
 250mA @ 24 V DC
 B300LDA230B/x 90-230V AC
 50mA @ 230V AC 90mA @ 115V AC


D114-00-001-IS Issue 1

Sheet 1 of 2
19/01/2023Tel : +44 (0)20 8743 8880
www.e2s.com

2

 **ATTENTION:** Installation must be carried out by an electrician in compliance with the latest codes and regulations.

 **ATTENTION:** Disconnect from power source before installation or service to prevent electric shock.

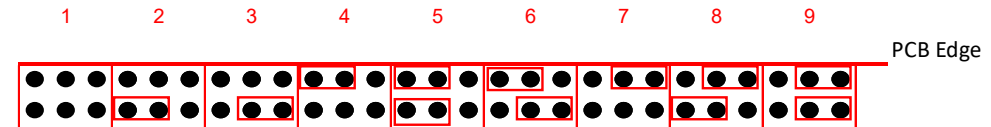
 **ATTENTION:** Lens on unit will be hot allow to cool prior to removal.

3

B300LDA

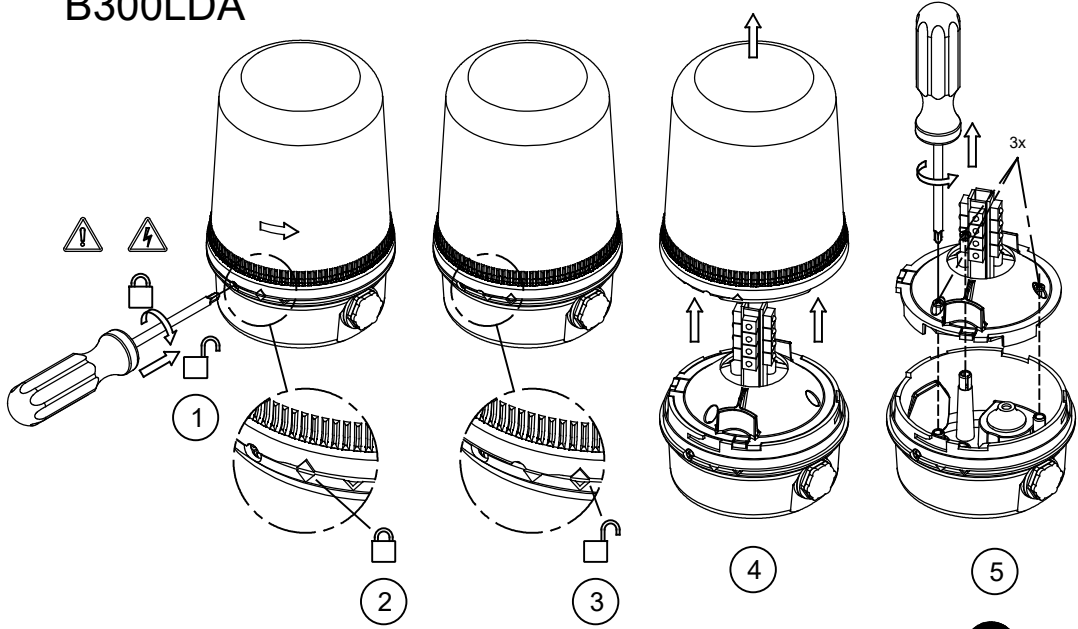
Stage 1 [AC & DC units] Stage2 [DC unit only]

1 All L.E.D's on	Alternate Side Flash 2Hz
2 Rotating: Slow 1	Alternate Side Flash 2Hz
3 Single Strike Flash 2Hz	Rotating: Fast 2
4 Rotating: Fast 1	Single Strike Flash 2Hz
5 Rotating: Slow 2	Double Strike Flash 1Hz
6 Double Strike Flash 2Hz	Rotating: Fast 2
7 Rotating: Fast 2	Double Strike Flash 2Hz
8 Double Strike Flash 1Hz	Alternate Side Flash 2Hz
9 Alternate Side Flash 2Hz	Rotating: Fast 2



PCB Edge

4 SPECTRA B300LDA



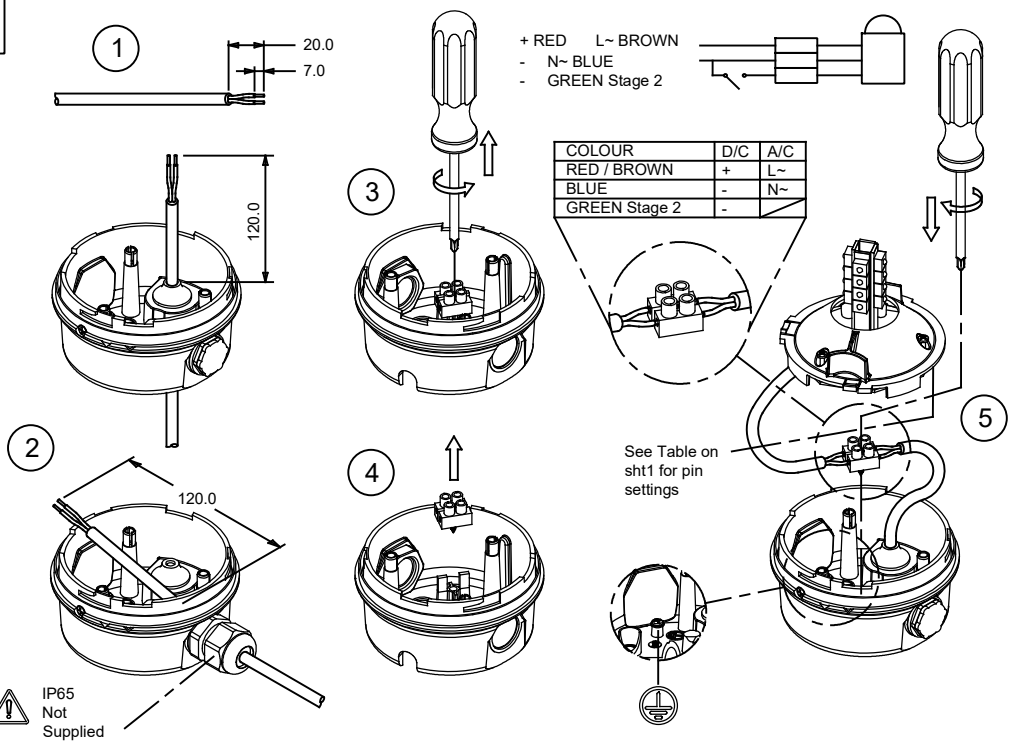
D114-00-001-IS Issue 1

Sheet 2 of 2
19/01/2023

Tel : +44 (0)20 8743 8880
www.e2s.com

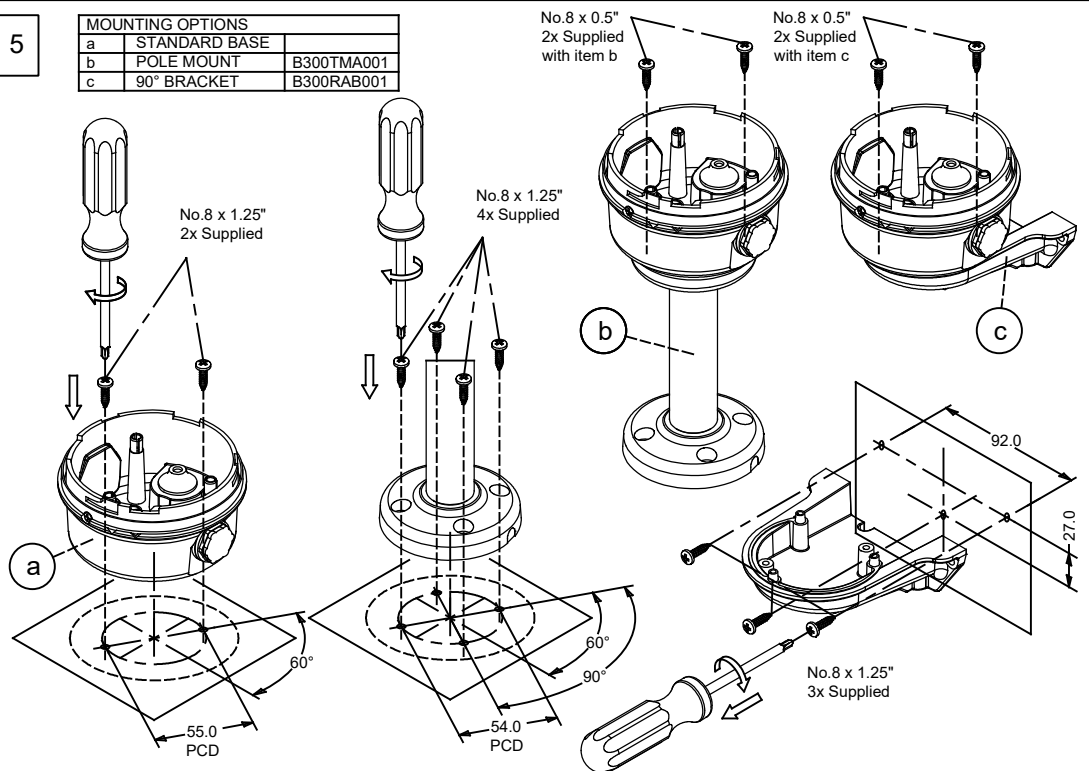


6



5

MOUNTING OPTIONS	
a	STANDARD BASE
b	POLE MOUNT B300TMA001
c	90° BRACKET B300RAB001



Dimensions in mm

7

