

1

SPECTRA B450TLA

Traffic Light L.E.D. Array Beacon
 18 x High powered L.E.D's
 IP Rating: IP65
 Temp: -40°C to +70°C
 Relative Humidity: 95% @ 20°C
 Unit weight: 410g
 CE, UKCA

Dimensions : Ø140 x 177mm
 2 x Pluggable, 0.2 - 2.5mm² / AWG24 - AWG12
 Cable entry: 1 x 5-7mm push through grommet
 2 x M20 cable entry (IP65)

Order code	Voltage	Current
B450TLA030B/x	10-14V DC (12VDC Customer Set if required)	160mA@12V DC
	16-33V DC (24VDC Mode Set as Default)	180mA @ 24V DC
B450TLA230B/x	48-260V AC 50/60Hz	55mA @ 230V AC
	48-260V AC 50/60Hz	90mA @ 115V AC
	48 - 260V DC	156mA @ 48V dc

x = Lens colour
 A = Amber B = Blue C = Clear G = Green R = Red Y = Yellow

Multi-unit connection possible using connector supplied
 B450 and B350 units are interconnectable

D126-00-001-IS Issue 3

Sheet 1 of 2
 19/01/2023

Tel : +44 (0)20 8743 8880
 www.e2s.com

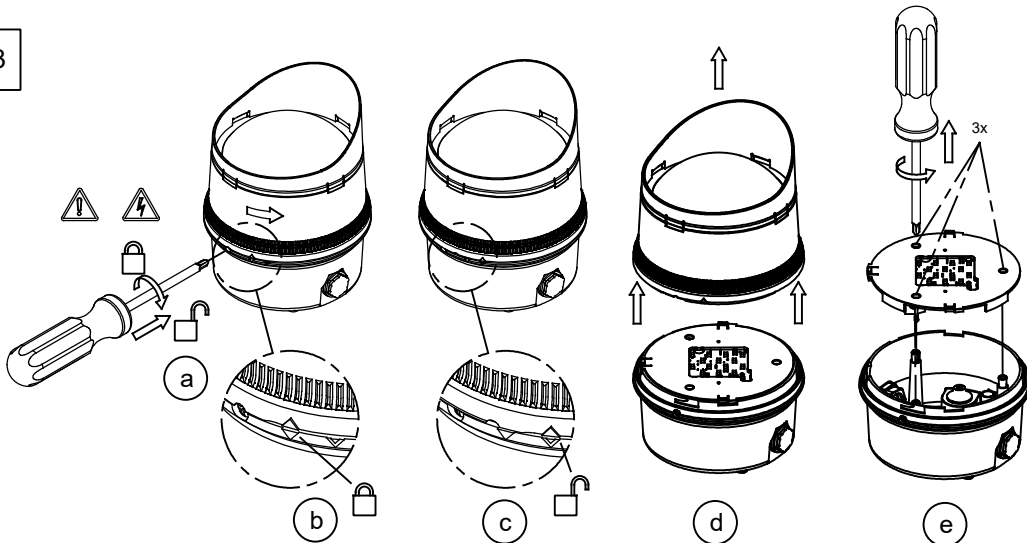


2

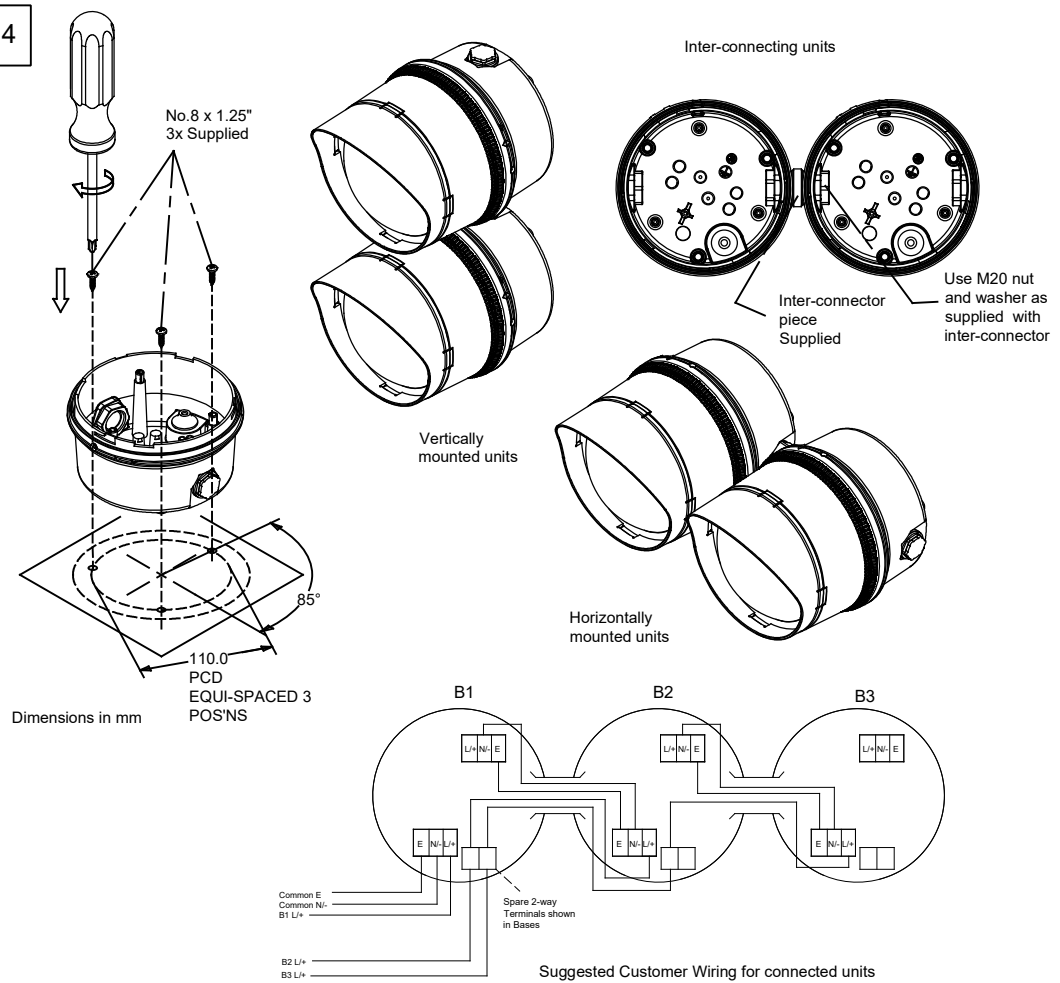
Warnings

- ATTENTION:** Installation must be carried out by an electrician in compliance with the latest codes and regulations.
- ATTENTION:** Disconnect from power source before installation or service to prevent electric shock.

3

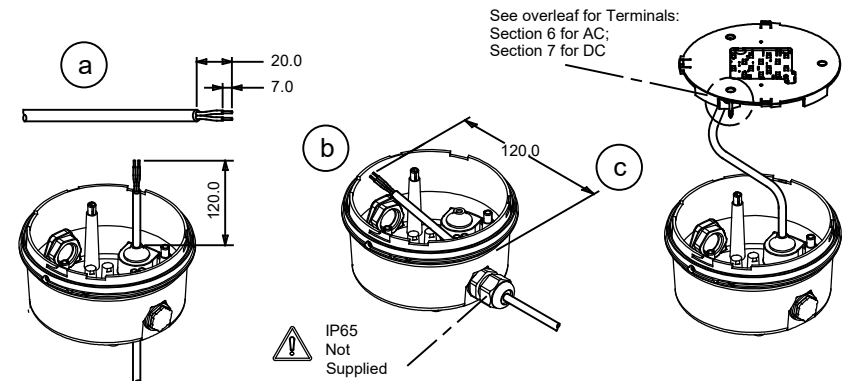


4

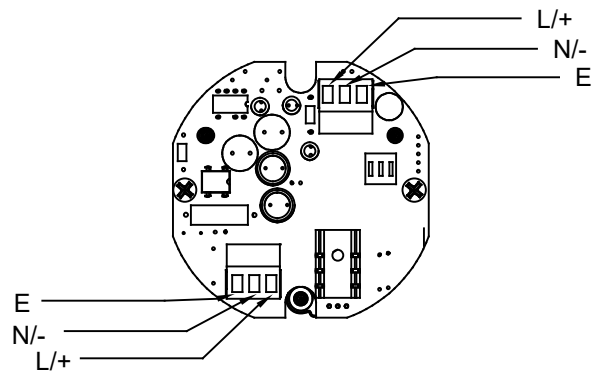


Optional Accessories
 MB-B450T-S Mounting bracket kit for a single B450 type unit.
 MB-B450T-M Mounting bracket kit for linked multiple B450 type units.

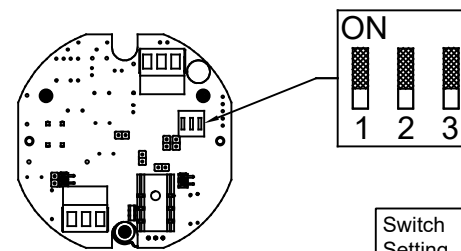
5



6 AC Terminals



8 Flash Settings (All Units)

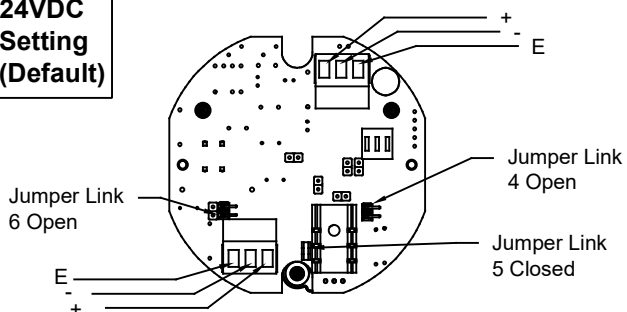


Flash Mode Dip Switch
Shown with 1-OFF, 2-OFF, 3-OFF (0 0 0).
This denotes flash mode Steady On
(Default setting). For further flash modes,
see table below

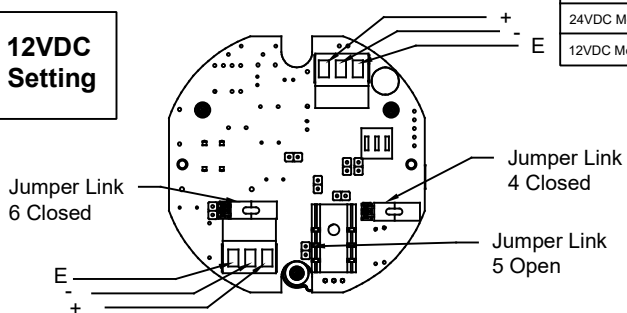
Switch Setting	Flash Mode
(0 0 0)	Steady On
(1 0 0)	Blinking
(0 1 0)	Flashing 1Hz
(1 1 0)	Flashing 1.5Hz
(0 0 1)	Flashing Double Strike
(1 0 1)	Flashing Triple Strike
(0 1 1)	Flashing 2Hz
(1 1 1)	Flashing - Temporal

7 DC Terminals & Voltage Link Settings

24VDC Setting (Default)



12VDC Setting



Jumper Setting	Jumper Link 4	Jumper Link 5	Jumper Link 6
24VDC Mode (Default)	Open	Closed	Open
12VDC Mode (Customer set)	Closed	Open	Closed

9

