

1

SPECTRA

Trumpet Horn Flashing Filament
 5W @ 1Hz BA9s Filament Bulb.
 IP Rating: IP65
 Temp: -25 °C to +50 °C
 Unit weight: 219g
 CE, UKCA

Order code Voltage

H100TF024G/x 24V DC
 Unit current consumption
 • Sounder 10mA
 • Beacon 250mA

H100TF048G/x, 50/60Hz 48V AC
 Unit current consumption
 • Sounder 35mA
 • Beacon 110mA

H100TF115G/x, 50/60Hz 115V AC
 Unit current consumption
 • Sounder 19mA
 • Beacon 35mA

H100TF230G/x , 50/60Hz 230V AC
 Unit current consumption
 • Sounder 10mA
 • Beacon 25mA

H100 TF

Dimensions : $\varnothing 85 \times 241.2\text{mm}$
 1.5mm² terminals
 Cable entry: 1 x 5-7mm push
 through grommet

x = Lens colour
 R = Red A = Amber
 B = Blue C = Clear
 G = Green Y = Yellow

Bulb Type BA9s

E2S Part No. Version
 BR10245B 24V 5W
 BR10485B 48V 5W
 BR101305B 115V 5W
 BR102305B 230V 5W

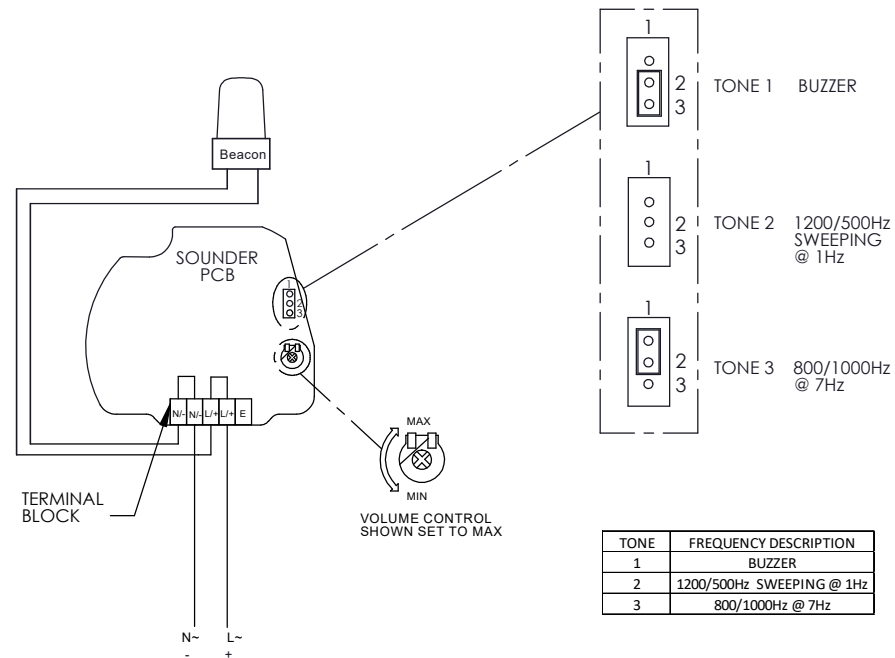


D152-00-301-IS Issue 1

Sheet 1 of 2
 19/01/2022

Tel : +44 (0)2 8743 8880
 www.e2s.com

3

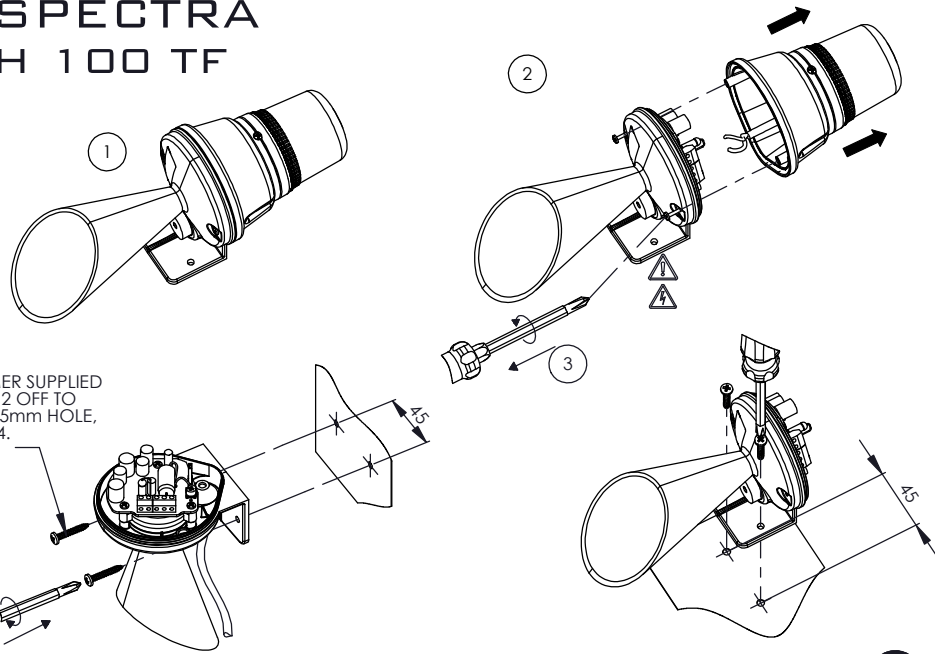


2

- ⚠ ATTENTION:** Installation must be carried out by an electrician in compliance with the latest codes and regulations.
- ⚠ ATTENTION:** Disconnect from power source before installation or service to prevent electric shock.
- ⚠ ATTENTION:** Lens on unit will be hot allow to cool prior to removal.

4

5 SPECTRA H 100 TF

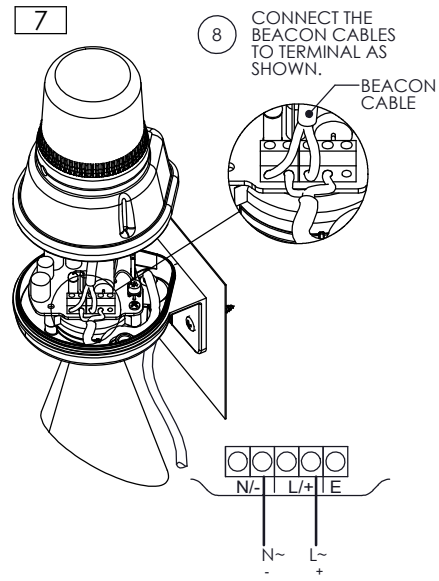


CUSTOMER SUPPLIED SCREWS 2 OFF TO SUIT Ø4.5mm HOLE, No. 8/M4.

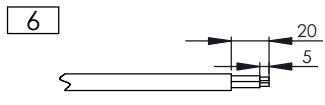
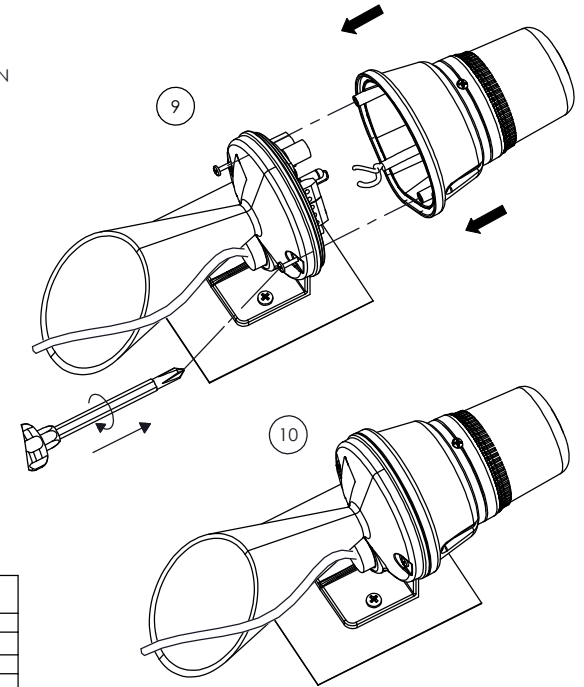
D152-00-301-IS Issue 1

Sheet 2 of 2
19/01/2022

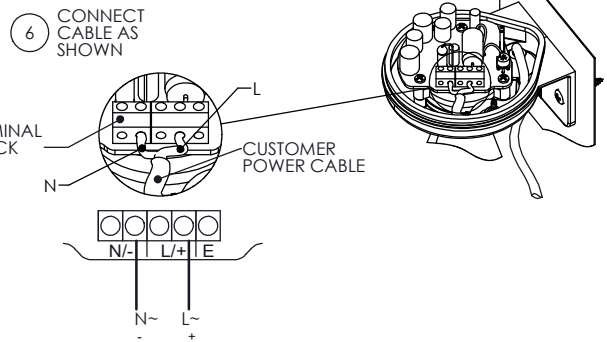
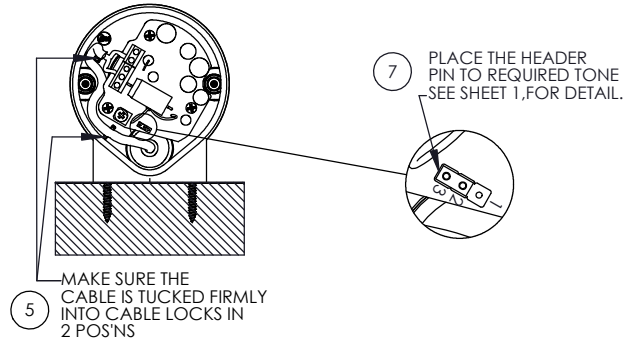
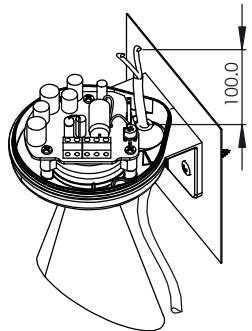
Tel : +44 (0)2 8743 8880
www.e2s.com



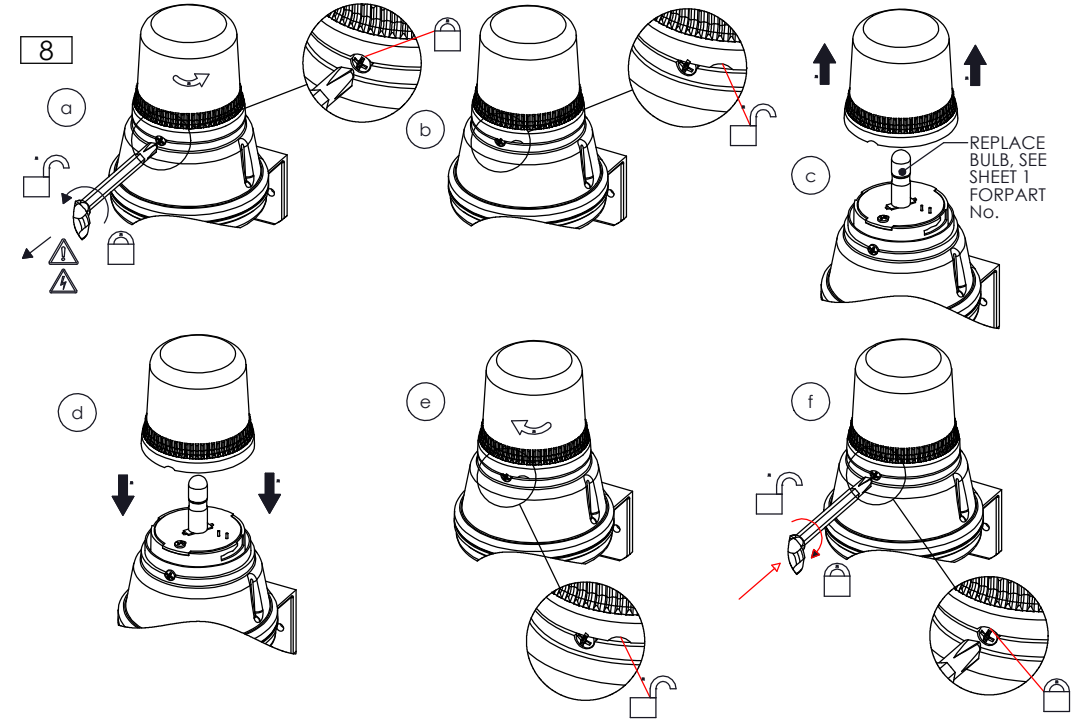
TERMINAL BLOCK	A/C INPUT	D/C INPUT
N/-	N~	-
N/-	N~ (FROM BEACON)	-(FROM BEACON)
L/+	L~	+
L/+	L~ (FROM BEACON)	+(FROM BEACON)
E		



4 INSERT CABLE THROUGH GROMMET, STRIP CABLE TO LENGTH.



Dimensions in mm



REPLACE BULB, SEE SHEET 1 FORPART No.