

1

# SPECTRA

Buzzer Horn Strobe  
IP Rating: IP65  
Temp: -25 °C to +50 °C  
Unit weight: 188g  
CE, UKCA

Order code Voltage  
H100BX024G/x 24V AC/DC  
• 24V dc 10mA  
• 24V ac 50Hz 24mA  
• Beacon Current Consumption  
• 24V dc 135mA  
• 24V ac 50Hz 75mA

H100BX115G/x 115V AC  
• 115V ac 50/60Hz 19mA  
• Beacon Current Consumption  
• 115V ac 50/60Hz 30mA

H100BX230G/x 230V AC  
• 230V ac 50/60Hz 10mA  
• Beacon Current Consumption  
• 230V ac 50/60Hz 20mA



D152-00-601-IS Issue 1

Sheet 1 of 2  
19/01/2022

Tel : +44 (0)2 8743 8880  
www.e2s.com

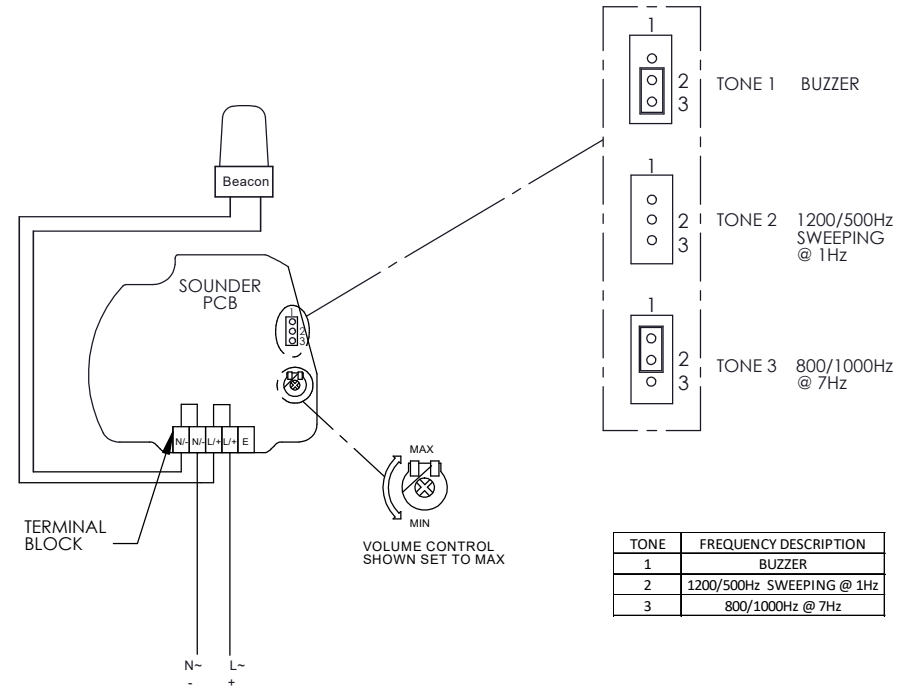


# H100 BX

Dimensions : 94.2 x 135.2mm  
1.5mm<sup>2</sup> terminals  
Cable entry: 1 x 5-7mm push  
through grommet

x = Lens colour  
R = Red A = Amber  
B = Blue C = Clear  
G = Green Y = Yellow

3

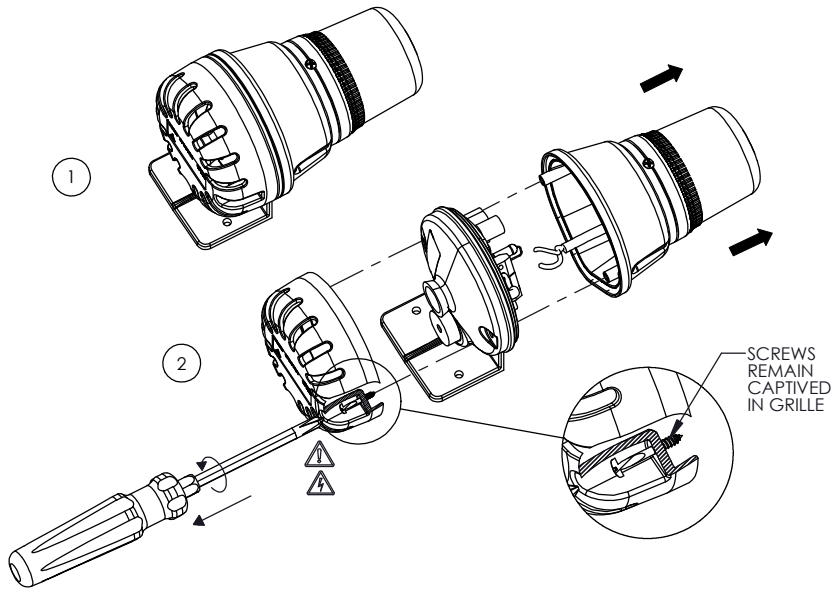


2

- ⚠ ATTENTION:** Installation must be carried out by an electrician in compliance with the latest codes and regulations.
- ⚠ ATTENTION:** Disconnect from power source before installation or service to prevent electric shock.
- ⚠ ATTENTION:** On strobe beacons allow a minimum of 2 minutes for hazardous high voltage to discharge from unit.
- ⚠ ATTENTION:** Lens on unit will be hot allow to cool prior to removal.

4

# 5 SPECTRA H 100 BX



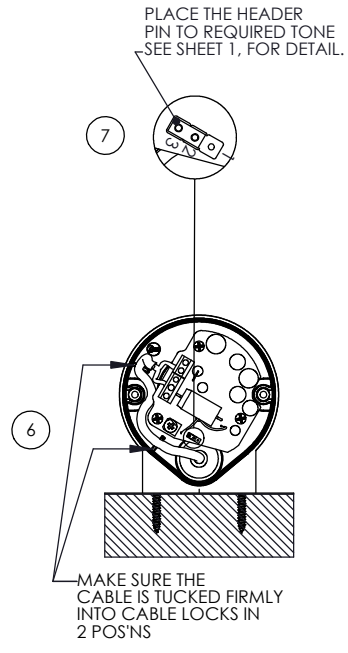
D152-00-601-IS Issue 1

Sheet 2 of 2  
19/01/2022

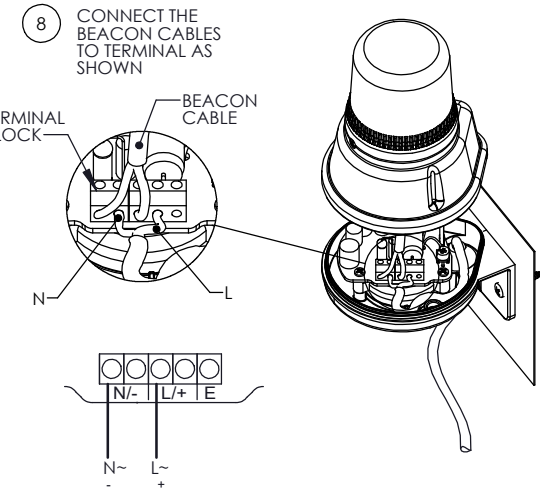
Tel : +44 (0)2 8743 8880  
www.e2s.com



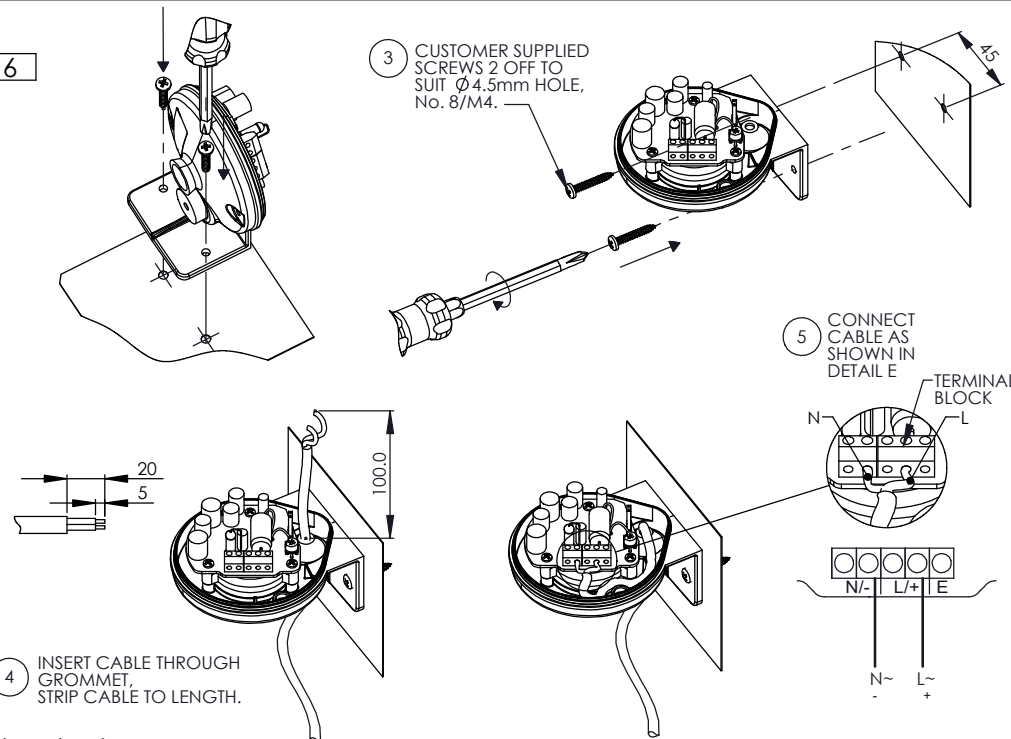
7



TERMINAL BLOCK	A/C INPUT	D/C INPUT
N/-	N~	-
N/-	N~(FROM BEACON)	-(FROM BEACON)
L/+	L~	+
L/+	L~(FROM BEACON)	+(FROM BEACON)
E		



6



4 INSERT CABLE THROUGH GROMMET. STRIP CABLE TO LENGTH.

Dimensions in mm

8

