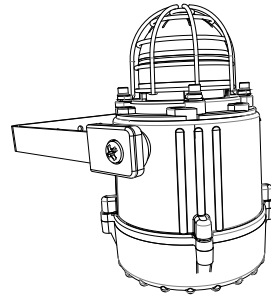
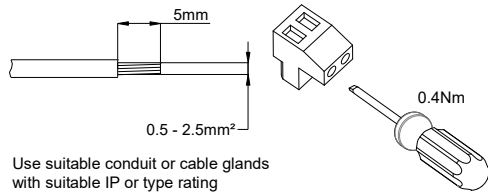


- IP67/66 & Type 4/4X/13
- -40°C to +66°C (-40°F to +151°F)
- 1.5Kg (3.3lb)
- CE, UKCA, EAC & Russian Maritime Register approved



Unit Type Code	Nominal Voltage	Voltage Range	Nominal Current		
			Steady High Power	Steady Low Power	1Hz Flash
MBLD2DC024	24 Vdc	18-54Vdc	240mA	134mA	110mA
MBLD2AC115	115 Vac	115 Vac ±10% 50/60Hz	94mA	78mA	90mA
MBLD2AC230	230 Vac	230 Vac ±10% 50/60Hz	48mA	37mA	45mA



Use suitable conduit or cable glands with suitable IP or type rating

**Attention:** Installation must be carried out by an electrician in compliance with the latest codes and regulations.

**Attention:** L'installation doit être effectuée par un électricien conformément aux derniers codes et réglementations.

**Achtung:** Die Installation muss von einem Elektriker gemäß den neuesten Vorschriften und Bestimmungen durchgeführt werden.

**Attenzione:** L'installazione deve essere eseguita da un elettricista in conformità con i codici e le normative più recenti.

**Atención:** La instalación debe ser realizada por un electricista de acuerdo con los últimos códigos y regulaciones.

**Atenção:** A instalação deve ser realizada por um eletricista de acordo com os códigos e regulamentos mais recentes.

**Внимание:** установка должна выполняться электриком в соответствии с последними нормами и правилами.

— **Attention:** Disconnect from power source before installation or service to prevent electric shock

**Attention:** Débranchez-le de la source d'alimentation avant l'installation ou l'entretien pour éviter tout choc électrique.

**Achtung:** Vor Installation oder Wartung von der Stromquelle trennen, um einen Stromschlag zu vermeiden.

**Attenzione:** scollegare dall'alimentazione prima dell'installazione o dell'assistenza per evitare scosse elettriche.

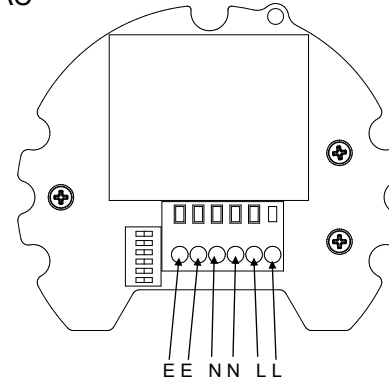
**Atención:** desconéctelo de la fuente de alimentación antes de la instalación o el servicio para evitar descargas eléctricas.

**Atenção:** Desconecte da fonte de alimentação antes da instalação ou serviço para evitar choque elétrico

**Внимание:** отключите от источника питания перед установкой или обслуживанием, чтобы предотвратить поражение электрическим током.

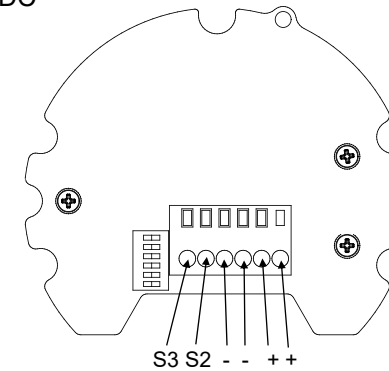
AC

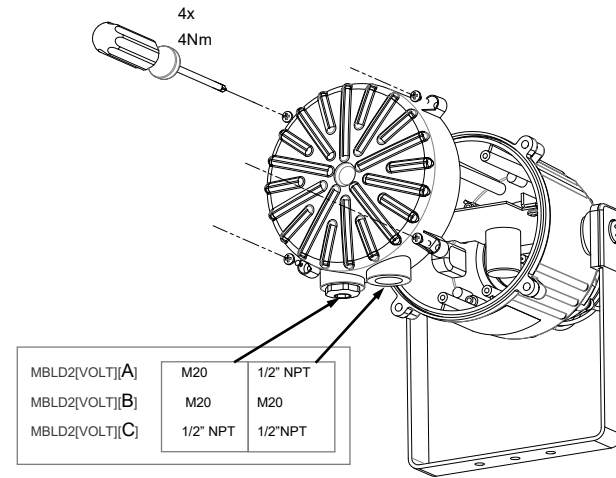
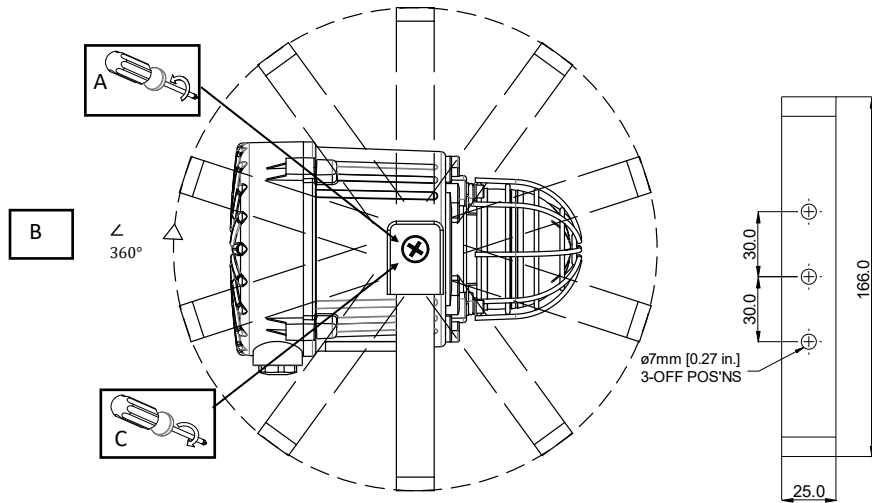
See D207-06-405



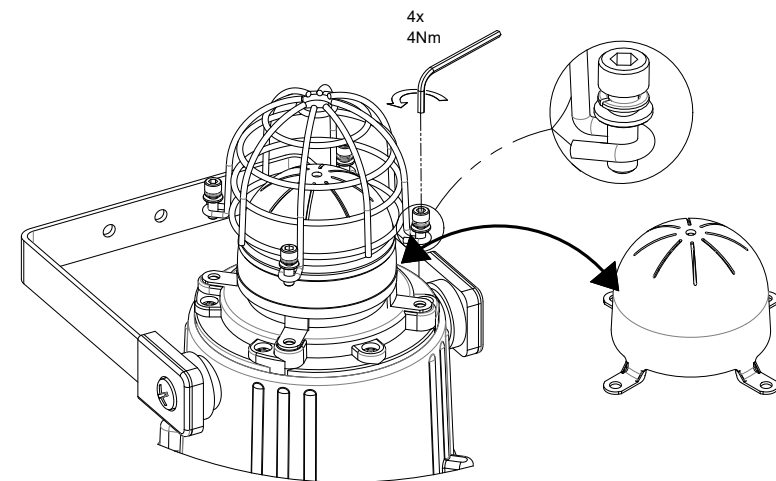
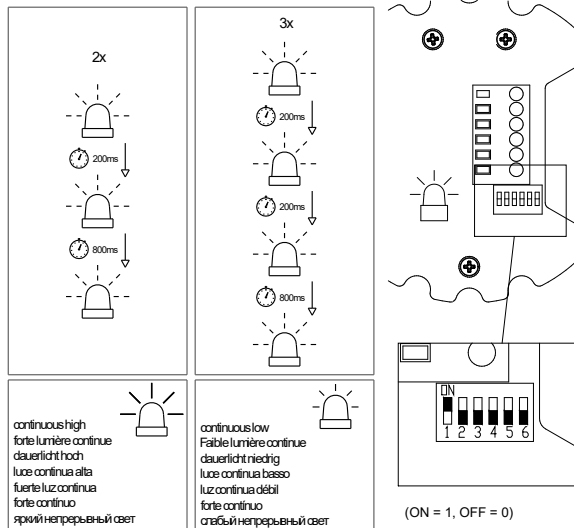
DC

See D207-06-401





FLASH PATTERN	S1 SETTING	S1 MODE (AC & DC)	S2 MODE (DC ONLY)	S3 MODE (DC ONLY)
1	000000			
2	000001			
3	100000			
4	101000			
5	010000			
6	110000			
7	001000			

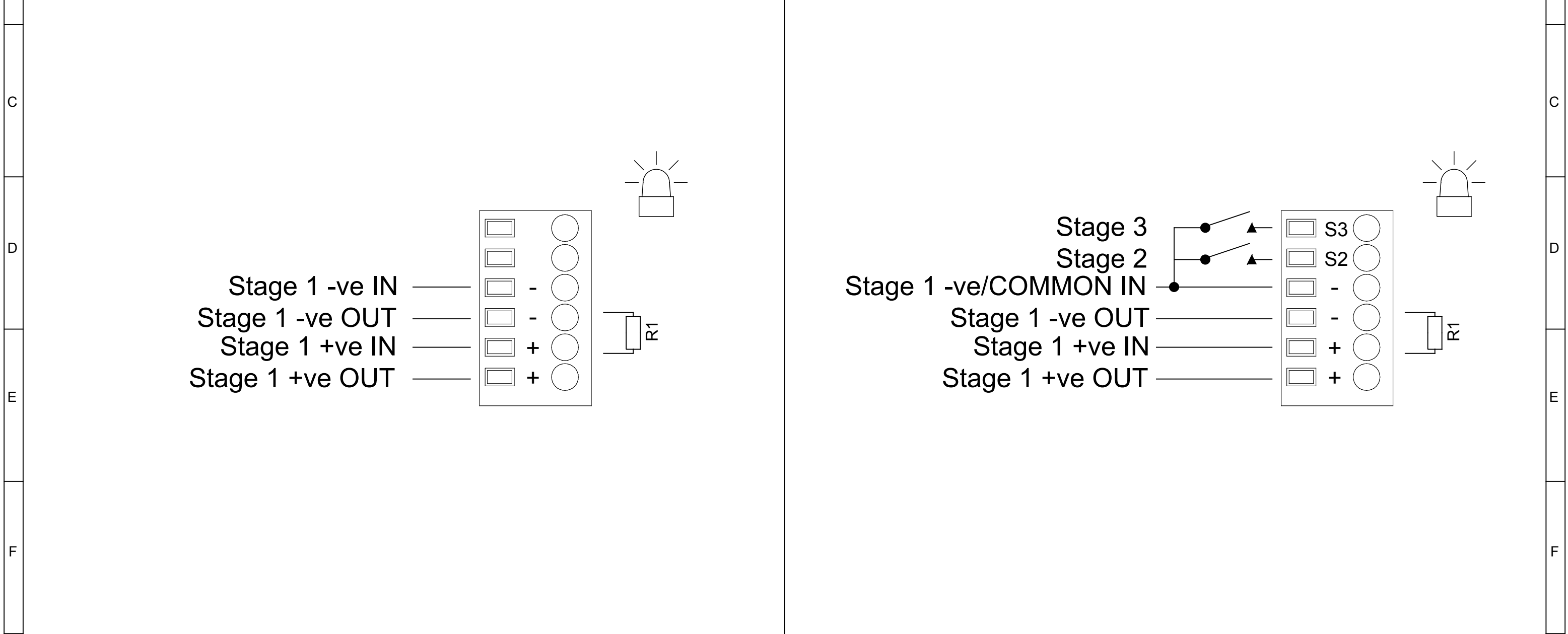


1	2	3	4	5	6	7	8	9	10
							ISSUE	MOD No.	REASON - INITIAL - DATE
							A		INTRODUCTION RSR - 05/03/2021

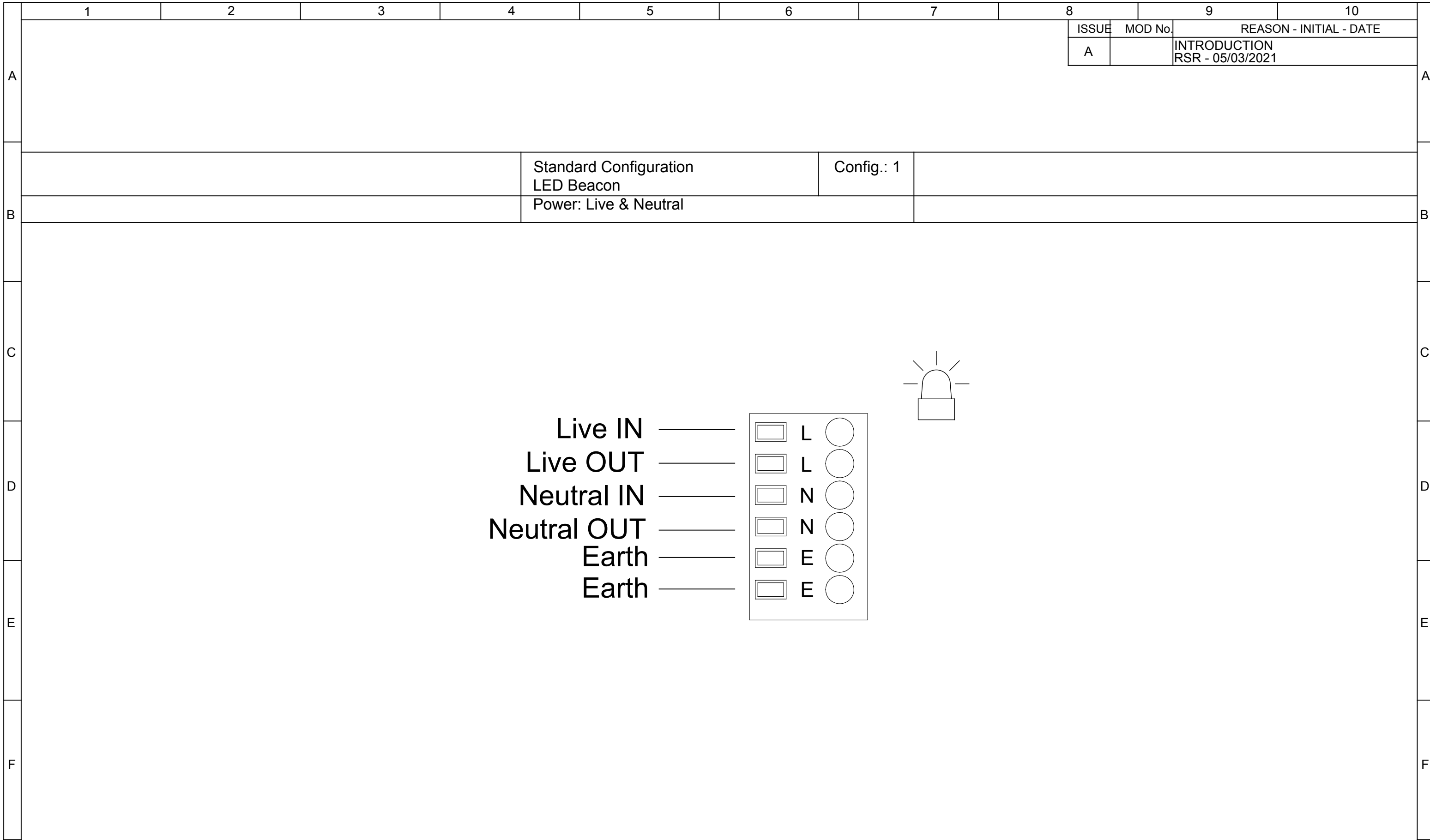
OPTIONAL LINE MONITORING RESISTOR, CUSTOMER SUPPLIED,  
RECOMMENDED MINIMUM VALUES:  
14V MAX SYSTEM = 120Ω MIN, 2W MIN OR 1KΩ MIN, 0.5W MIN  
28V MAX SYSTEM = 470Ω MIN, 2W MIN OR 2.4KΩ MIN, 0.5W MIN


SWITCHES FOR STAGE OPERATION  
CUSTOMER SUPPLIED

Single Stage Configuration Power: +ve & -ve	Config.: 1	Two/Three Stage .Voltage Free 2nd & 3rd Stage Activation Configuration	Config.: 2
Stage 1: Apply Power to Stage 1 +ve & Stage 1 -ve/Common Stage 2: Apply Power to Stage 1 +ve & Stage 1 -ve/Common & connect Stage 2 to Stage 1 -ve/Common Stage 3: Apply Power to Stage 1 +ve & Stage 1 -ve/Common & connect Stage 3 to Stage 1 -ve/Common			



DRAWING TO BS8888:2000 GEOMETRIC TOLERANCES TO ISO1101:1983 LINEAR DIMENSIONAL TOLS ANGULAR DIMENSIONAL TOLS	DRAWN	DATE	SURFACE FINISH	WEIGHT (Kg)	THIS DRAWING AND ANY INFORMATION OR DESCRIPTIVE MATTER THEREIN IS COMMUNICATED IN CONFIDENCE AND IS THE COPYRIGHT PROPERTY OF EUROPEAN SAFETY SYSTEMS LTD. NEITHER THE WHOLE OR ANY EXTRACT MAY BE DISCLOSED, LOANED, COPIED OR USED FOR MANUFACTURING OR TENDERING PURPOSES WITHOUT THEIR WRITTEN CONSENT.	 warning signals EUROPEAN SAFETY SYSTEMS LTD IMPRESS HOUSE MANSELL ROAD ACTON LONDON W3 7QH WWW.E2S.COM	ALL DIMENSIONS IN MM IF IN DOUBT, ASK - DO NOT SCALE		A3
	R.S.RAIT	05/03/2021					MATERIAL	TITLE DC MBLD2 LED BEACON & MCBLD2LD2 DUAL LED BEACON WIRING DIAGRAMS	
	CHECKED	DATE	ALTERNATIVE MATERIAL	SCALE			SHEET	DRAWING NUMBER	
STANDARDS	R.N.POTTS	05/03/2021				NTS	1 OF 1	D207-06-401	
M RANGE	APPROVED	DATE							
	R.N.POTTS	05/03/2021							



G	DRAWING TO BS8888:2000 GEOMETRIC TOLERANCES TO ISO1101:1983 LINEAR DIMENSIONAL TOLS ANGULAR DIMENSIONAL TOLS	DRAWN <b>R.S.RAIT</b>	DATE <b>05/03/2021</b>	SURFACE FINISH	WEIGHT (Kg)	THIS DRAWING AND ANY INFORMATION OR DESCRIPTIVE MATTER THEREIN IS COMMUNICATED IN CONFIDENCE AND IS THE COPYRIGHT PROPERTY OF EUROPEAN SAFETY SYSTEMS LTD. NEITHER THE WHOLE OR ANY EXTRACT MAY BE DISCLOSED, LOANED, COPIED OR USED FOR MANUFACTURING OR TENDERING PURPOSES WITHOUT THEIR WRITTEN CONSENT. © EUROPEAN SAFETY SYSTEMS LTD. AS PER LATEST DATE OF ISSUE SHOWN ABOVE	 warning signals EUROPEAN SAFETY SYSTEMS LTD IMPRESS HOUSE MANSSELL ROAD ACTON LONDON W3 7QH WWW.E2S.COM	ALL DIMENSIONS IN MM IF IN DOUBT, ASK - DO NOT SCALE	A3	G		
	STANDARDS <b>M RANGE</b>	CHECKED <b>B.ISARD</b>	DATE <b>05/03/2021</b>	MATERIAL				TITLE <b>AC MBLD2 LED BEACON &amp; MCBLD2LD2          DUAL LED BEACON WIRING DIAGRAM</b>				
		APPROVED <b>R.N.POTTS</b>	DATE <b>05/03/2021</b>	ALTERNATIVE MATERIAL				SCALE <b>NTS</b>	SHEET <b>1 OF 1</b>		DRAWING NUMBER <b>D207-06-405</b>	