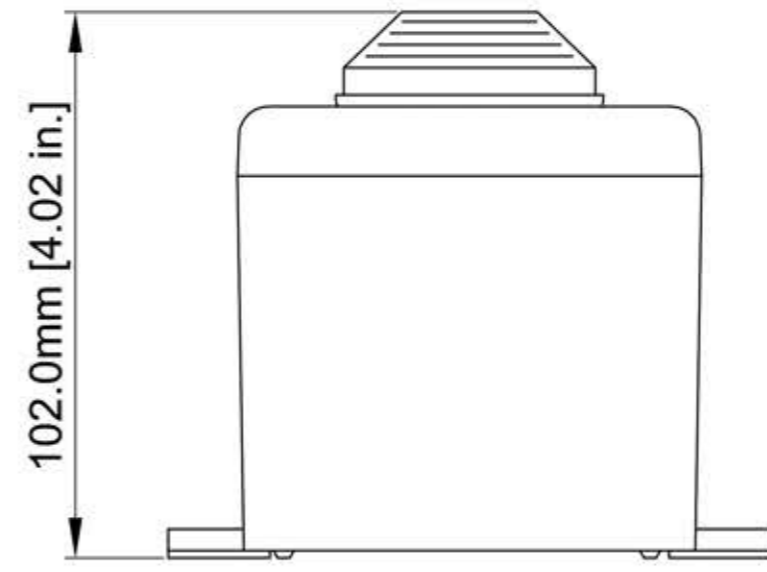
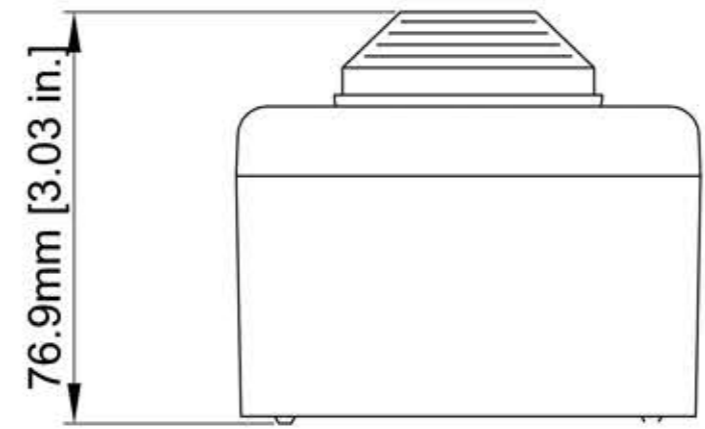
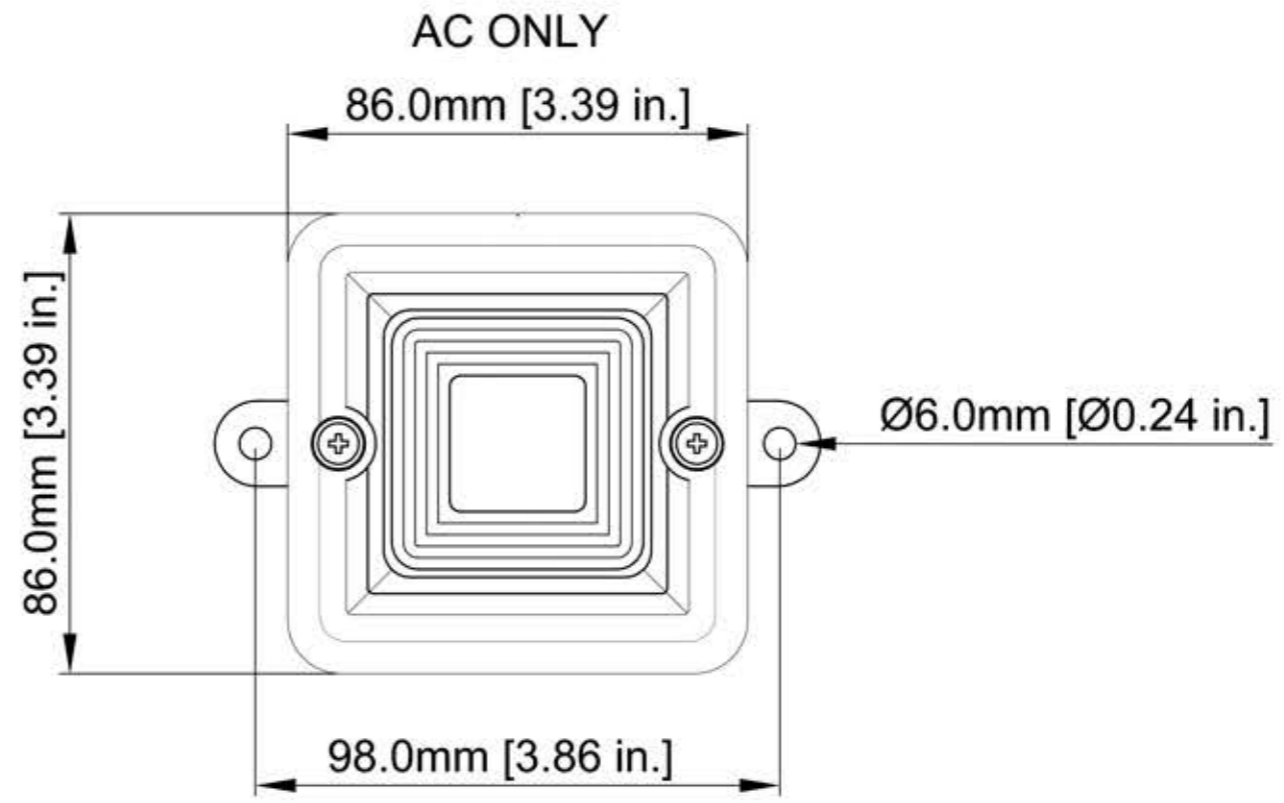
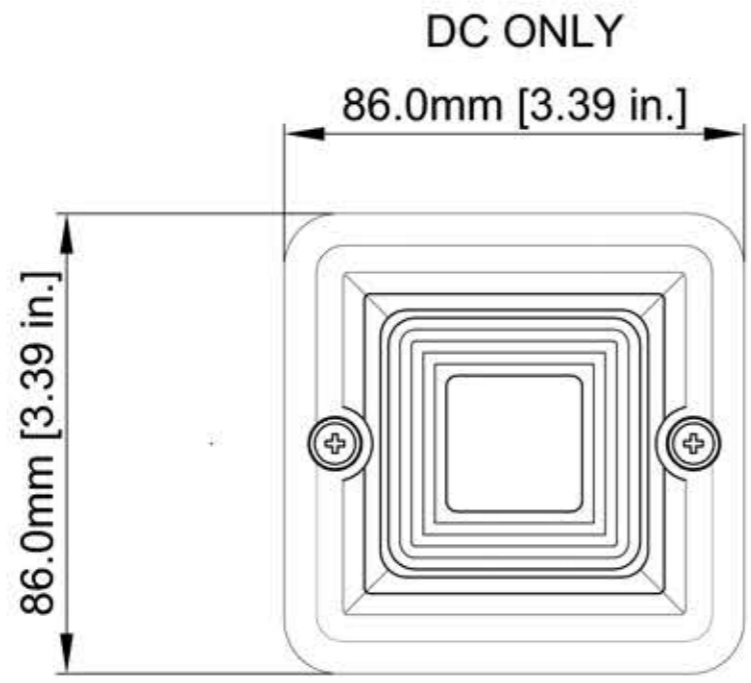


ISSUE	MOD No.	INITIAL/DATE
A		INTRODUCTION OF PART RSR 28-06-13



E2S PART NO.	DESCRIPTION
SON4B...	SON4B ALARM SOUNDER SOUNDER AND FILAMENT LAMP BEACON
SON4L...	SON4L ALARM SOUNDER AND L.E.D BEACON

WHERE APPLICABLE '-UL' VERSIONS ARE COVERED BY THIS OUTLINE DRAWING.

DRAWING TO BS8888:2000 GEOMETRIC TOLERANCES TO ISO1101:1983 LINEAR DIMENSIONAL TOLS ANGULAR DIMENSIONAL TOLS	DRAWN R.N.POTTS	DATE 01-04-10	SURFACE FINISH	WEIGHT (Kg)	THIS DRAWING AND ANY INFORMATION OR DESCRIPTIVE MATTER THEREIN IS COMMUNICATED IN CONFIDENCE AND IS THE COPYRIGHT PROPERTY OF EUROPEAN SAFETY SYSTEMS LTD. NEITHER THE WHOLE OR ANY EXTRACT MAY BE DISCLOSED, LOANED, COPIED OR USED FOR MANUFACTURING OR TENDERING PURPOSES WITHOUT THEIR WRITTEN CONSENT.  © EUROPEAN SAFETY SYSTEMS LTD. AS PER LATEST DATE OF ISSUE SHOWN ABOVE	 warning signals EUROPEAN SAFETY SYSTEMS LTD IMPRESS HOUSE MANSELL ROAD ACTON LONDON W3 7QH WWW.E2S.COM	ALL DIMENSIONS IN MM IF IN DOUBT, ASK - DO NOT SCALE	 A1
	CHECKED	DATE	MATERIAL				TITLE <b>SON4 SOUNDER BEACON RANGE - OUTLINE DRAWING</b>	
	STANDARDS SONORA	APPROVED	DATE	ALTERNATIVE MATERIAL			SCALE 1:1	