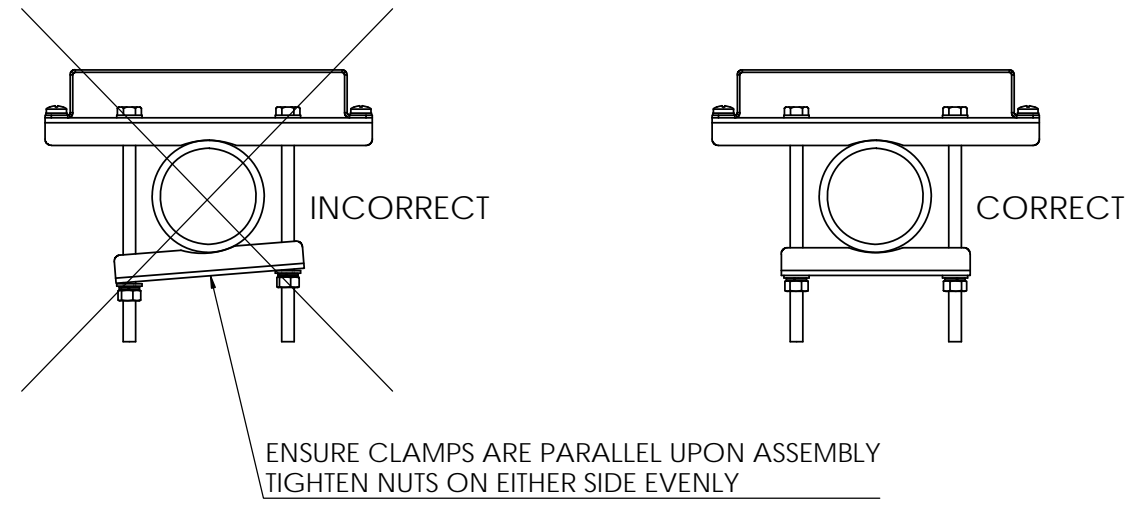
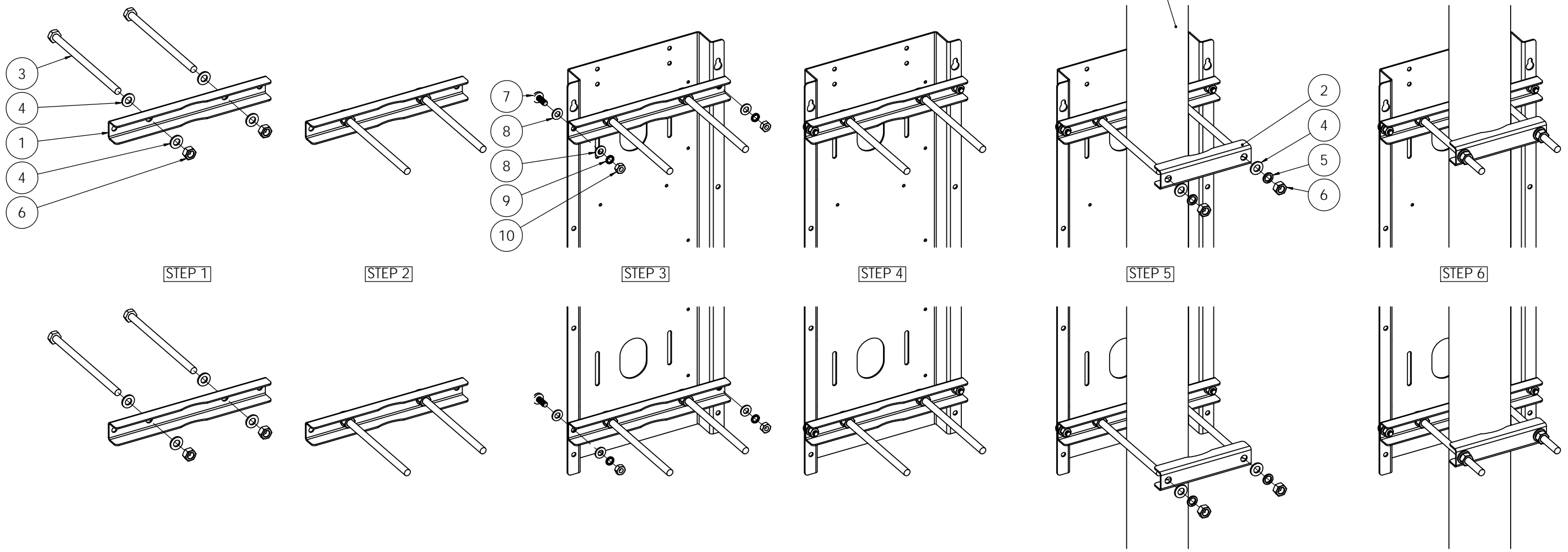


POLE MOUNTING ASSEMBLY

- D1x PLATED STACK DATA REF. 1-26-070 & 1-26-080
- GNEx PLATED STACK DATA REF. 1-26-010; 1-26-020; 1-26-030 & 1-26-040
- STEx PLATED STACK DATA REF. 1-26-100 & 1-26-110

POLE SIZE UP TO 4" NPS (OD: 114mm [4.5in])



| BILL OF MATERIALS | | | |
|-------------------|-----------------------------------|----------|---------------|
| ITEM # | DESCRIPTION | QUANTITY | MATERIAL |
| 1 | CLAMP PLATE A | 2 | 316 ST. STEEL |
| 2 | CLAMP PLATE B | 2 | 316 ST. STEEL |
| 3 | M10 X 170mm HEX SCREW FULL THREAD | 4 | A4 ST. STEEL |
| 4 | M10 FLAT WASHER | 12 | A4 ST. STEEL |
| 5 | M10 SPRING WASHER | 4 | A4 ST. STEEL |
| 6 | M10 HEX NUT | 8 | A4 ST. STEEL |
| 7 | M8 X 20mm POSI PAN HD SCREW | 4 | A4 ST. STEEL |
| 8 | M8 FLAT WASHER | 8 | A4 ST. STEEL |
| 9 | M8 SPRING WASHER | 4 | A4 ST. STEEL |
| 10 | M8 HEX NUT | 4 | A4 ST. STEEL |

| | | | | | | | | | |
|--|-----------|----------|----------------------|-------------|---|--|--|-----------------|-------------------------------|
| DRAWING TO BS888:2000 GEOMETRIC TOLERANCES TO ISO1101:1983 LINEAR DIMENSIONAL TOOLS ANGULAR DIMENSIONAL TOOLS | DRAWN | DATE | SURFACE FINISH | WEIGHT (kg) | THIS DRAWING AND ANY INFORMATION OR DESCRIPTIVE MATTER THEREIN IS COMMUNICATED IN CONFIDENCE AND IS THE COPYRIGHT PROPERTY OF EUROPEAN SAFETY SYSTEMS LTD. NEITHER THE WHOLE OR ANY EXTRACT MAY BE DISCLOSED, LOANED, COPIED OR USED FOR MANUFACTURING OR TENDERING PURPOSES WITHOUT THEIR WRITTEN CONSENT. | EUROPEAN SAFETY SYSTEMS LTD IMPRESS HOUSE MANSELL ROAD ACTON LONDON W3 7QH WWW.ES.COM | ALL DIMENSIONS IN MM IF IN DOUBT, ASK - DO NOT SCALE | A1 | |
| | CHECKED | DATE | MATERIAL | | | | | | |
| STANDARDS PRODUCT REF | R.N.POTTS | 17/09/19 | ALTERNATIVE MATERIAL | | EUROPEAN SAFETY SYSTEMS LTD. AS PER LATEST DATE OF ISSUE SHOWN ABOVE | TITLE PLATED STACK POLE MOUNTING ASSEMBLY INSTRUCTIONS | SCALE NTS | SHEET 1 OF 1 | DRAWING NUMBER D226-00-010 |
| | APPROVED | DATE | | | | | | | |
| | R.N.POTTS | 17/09/19 | | | | | | | |