

# DC CONFIGURATIONS

**E2S PART NO**  
D1x[C3][N2][XX][XXX]

**DESCRIPTION**  
D1xC3 STACK  
1 BEACON & ALARM HORN

**DATA REFERENCE**  
1-26-080

Note: Alternative wiring configurations may be available on request - contact E2S sales

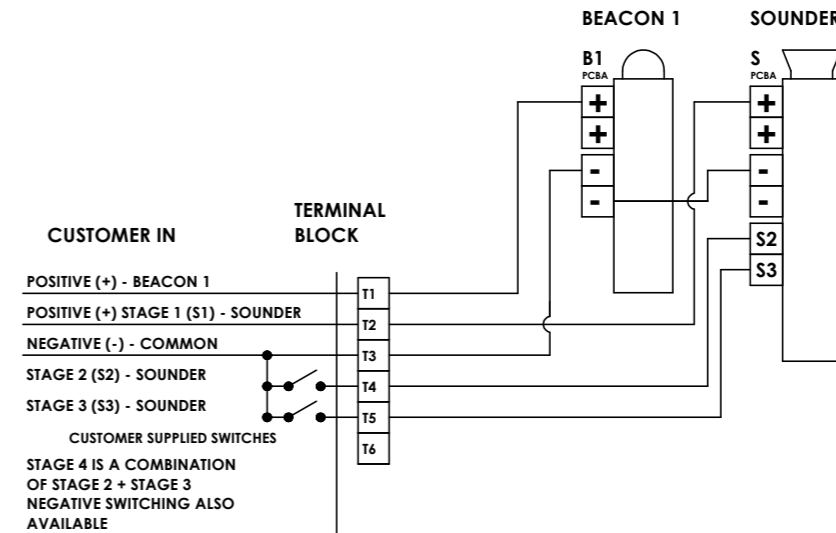
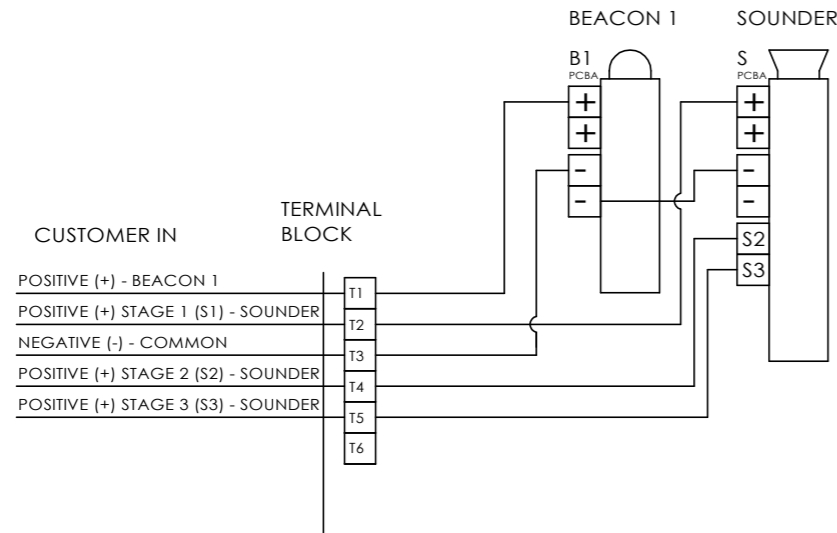
ISSUE	MOD No.	REASON - INITIAL - DATE
2		TB 8 TERMINALS WAS 6 ; BEACON 1 CONNECTED TO TB. DAH - 24-02-2020
3		DC WAS -VE STAGE SWITCHING NOW +VE. SOUNDER T'NALS UPDATED TO NEW PCBA. DAH - 22-09-2021
4		CONFIG 1 - 4 ADDED. SH2 ADDED. DAH - 20-04-2023

## CONFIG. 1 (DEFAULT)

DC VOLTAGE SUPPLY  
COMMON NEGATIVE CONNECTION TO ALL SIGNALS  
POSITIVE STAGE SWITCHING FOR ALARM HORN SOUNDER

## CONFIG. 3

DC VOLTAGE SUPPLY  
COMMON NEGATIVE CONNECTION TO ALL SIGNALS  
NEGATIVE STAGE SWITCHING FOR ALARM HORN SOUNDER

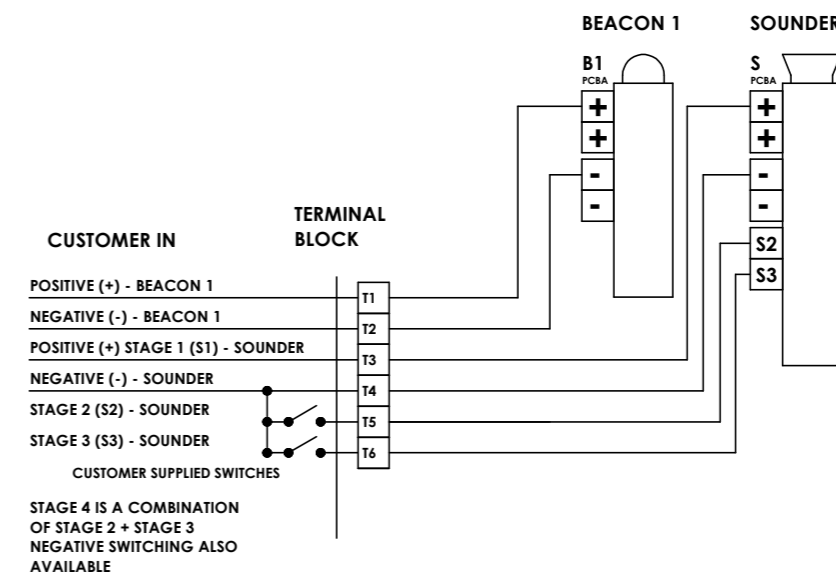
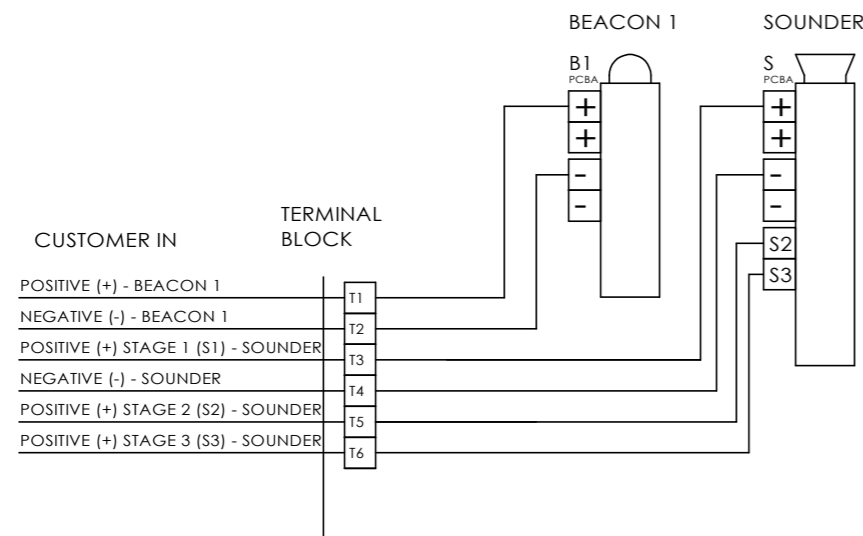


## CONFIG. 2

DC VOLTAGE SUPPLY  
INDEPENDENT CONNECTIONS TO ALL SIGNALS  
POSITIVE STAGE SWITCHING FOR ALARM HORN SOUNDER

## CONFIG. 4

DC VOLTAGE SUPPLY  
INDEPENDENT CONNECTIONS TO ALL SIGNALS  
NEGATIVE STAGE SWITCHING FOR ALARM HORN SOUNDER



DRAWING TO BS8888:2000  
GEOMETRIC TOLERANCES TO ISO1101:1983  
LINEAR DIMENSIONAL TOLS  
ANGULAR DIMENSIONAL TOLS

DRAWN	DATE
D.HOWGILL	15-08-2019
CHECKED	DATE
R.N.POTTS	15-08-2019
APPROVED	DATE
R.N.POTTS	15-08-2019

SURFACE FINISH	WEIGHT (Kg)
FINISH	
MATERIAL	
ALTERNATIVE MATERIAL	

THIS DRAWING AND ANY INFORMATION OR DESCRIPTIVE MATTER THEREIN IS COMMUNICATED IN CONFIDENCE AND IS THE COPYRIGHT PROPERTY OF EUROPEAN SAFETY SYSTEMS LTD. NEITHER THE WHOLE OR ANY EXTRACT MAY BE DISCLOSED, LOANED, COPIED OR USED FOR MANUFACTURING OR TENDERING PURPOSES WITHOUT THEIR WRITTEN CONSENT.

EUROPEAN SAFETY SYSTEMS LTD.  
AS PER LATEST DATE OF ISSUE SHOWN ABOVE



ALL DIMENSIONS IN MM IF IN DOUBT, ASK - DO NOT SCALE			<b>A2</b>
TITLE D1xC3 STACK - BEACON & ALARM HORN WIRING SCHEMATIC			
SCALE NTS	SHEET 1 OF 2	DRAWING NUMBER D226-06-125	

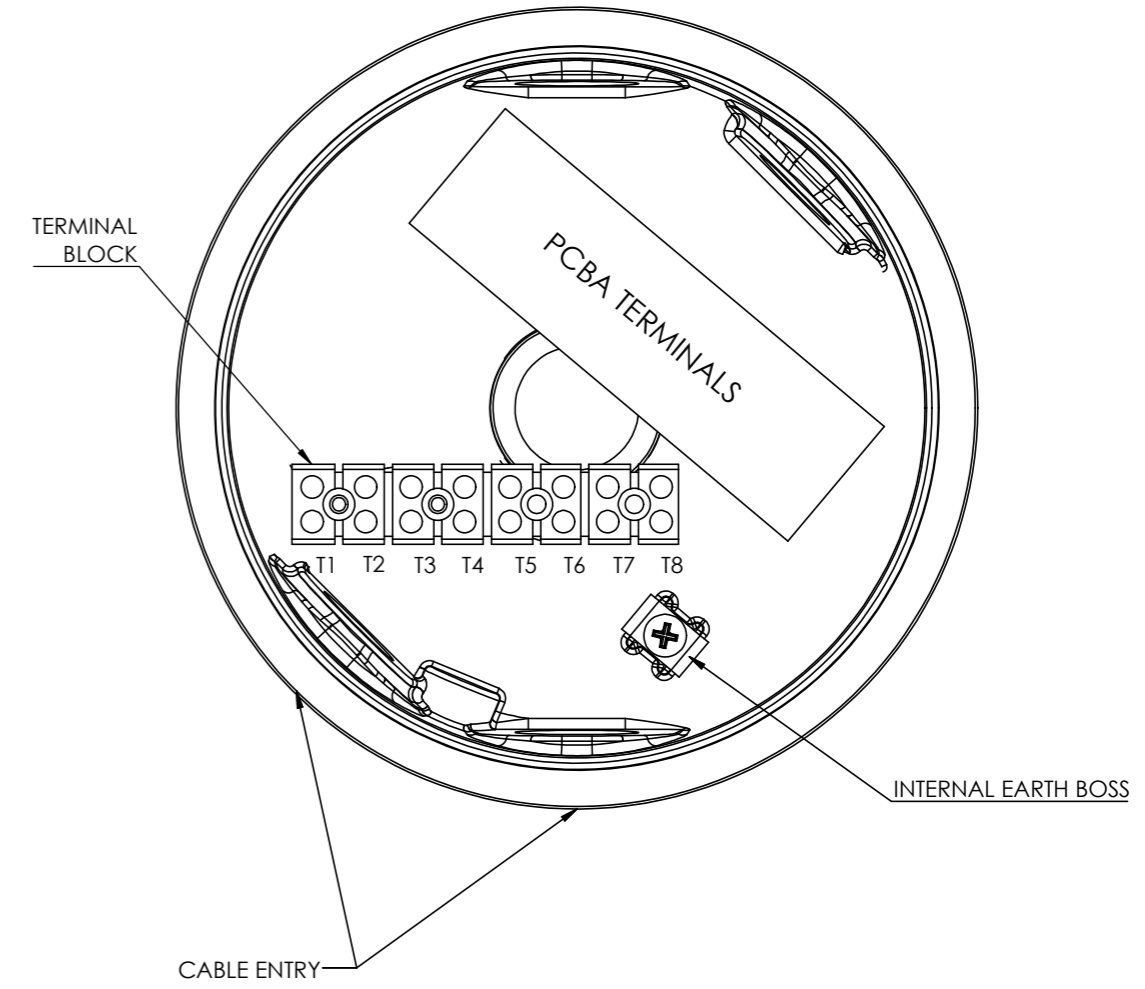
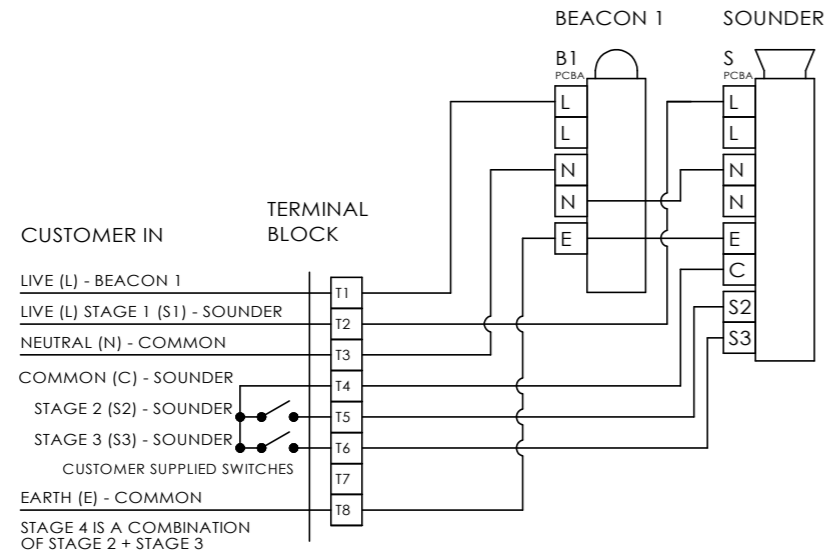
# AC CONFIGURATIONS

ISSUE	MOD No.	REASON - INITIAL - DATE
2		SEE SH1
3		SEE SH1
4		SEE SH1

## CONFIG. 1 (DEFAULT)

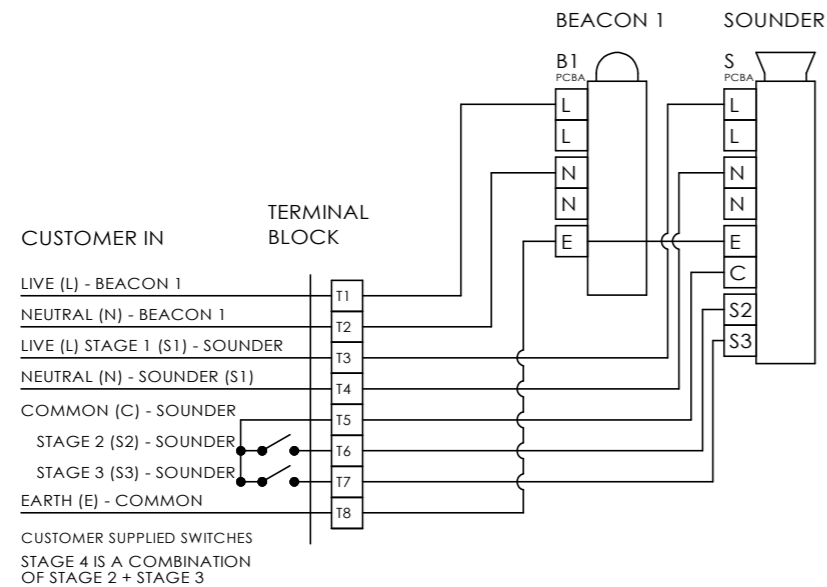
- AC VOLTAGE SUPPLY
- COMMON NEUTRAL CONNECTION TO ALL SIGNALS
- COMMON STAGE SWITCHING FOR ALARM HORN SOUNDER

## ENTRY TERMINALS



## CONFIG. 2

- AC VOLTAGE SUPPLY
- INDEPENDENT CONNECTIONS TO ALL SIGNALS
- COMMON STAGE SWITCHING FOR ALARM HORN SOUNDER



DRAWING TO BS8888:2000 GEOMETRIC TOLERANCES TO ISO1101:1983 LINEAR DIMENSIONAL TOLS ANGULAR DIMENSIONAL TOLS	DRAWN D.HOWGILL	DATE 15-08-2019	SURFACE FINISH FINISH	WEIGHT (kg)	THIS DRAWING AND ANY INFORMATION OR DESCRIPTIVE MATTER THEREIN IS COMMUNICATED IN CONFIDENCE AND IS THE COPYRIGHT PROPERTY OF EUROPEAN SAFETY SYSTEMS LTD. NEITHER THE WHOLE OR ANY EXTRACT MAY BE DISCLOSED, LOANED, COPIED OR USED FOR MANUFACTURING OR TENDERING PURPOSES WITHOUT THEIR WRITTEN CONSENT.	 EUROPEAN SAFETY SYSTEMS LTD IMPRESS HOUSE MANSELL ROAD ACTON LONDON W3 7QH WWW.E2S.COM	ALL DIMENSIONS IN MM IF IN DOUBT, ASK - DO NOT SCALE		 <b>A2</b>
	CHECKED R.N.POTTS	DATE 15-08-2019					TITLE D1xC3 STACK - BEACON & ALARM HORN WIRING SCHEMATIC		
	APPROVED R.N.POTTS	DATE 15-08-2019					SCALE NTS	SHEET 2 OF 2	