

DC CONFIGURATIONS

E2S PART NO
D1x[C3][N2][XX][XX][XX][XX][XXX]
 Note: Alternative wiring configurations may be available on request - contact E2S sales

DESCRIPTION
D1xC3 STACK
4 BEACONS & ALARM HORN

DATA REFERENCE
1-26-080

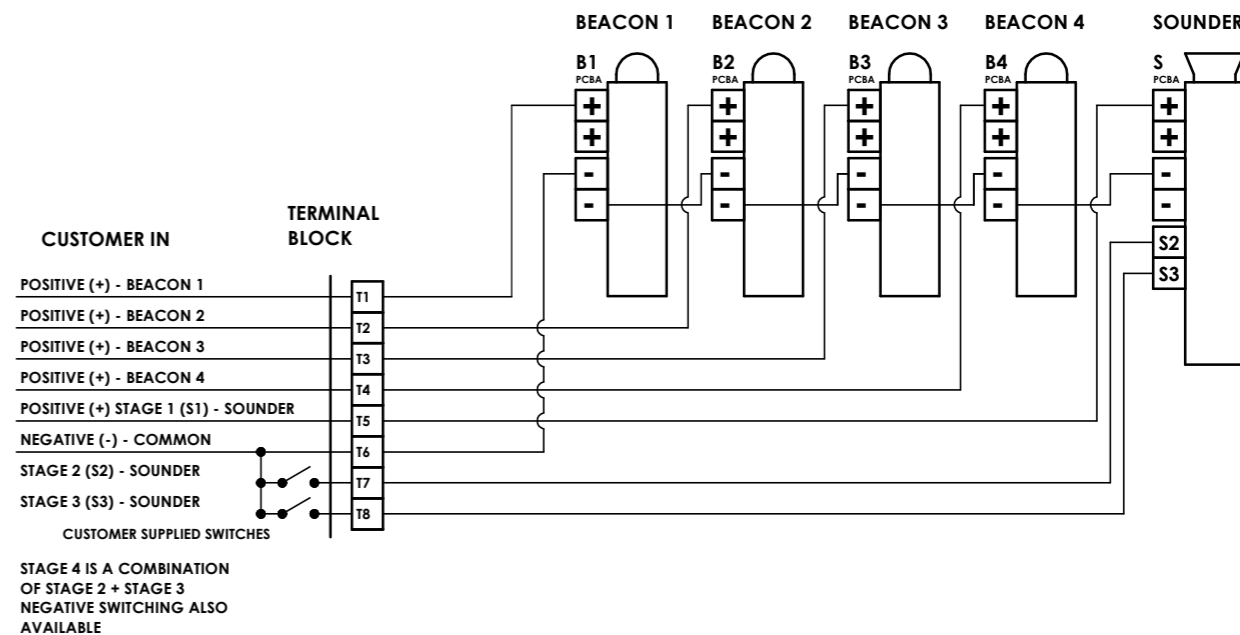
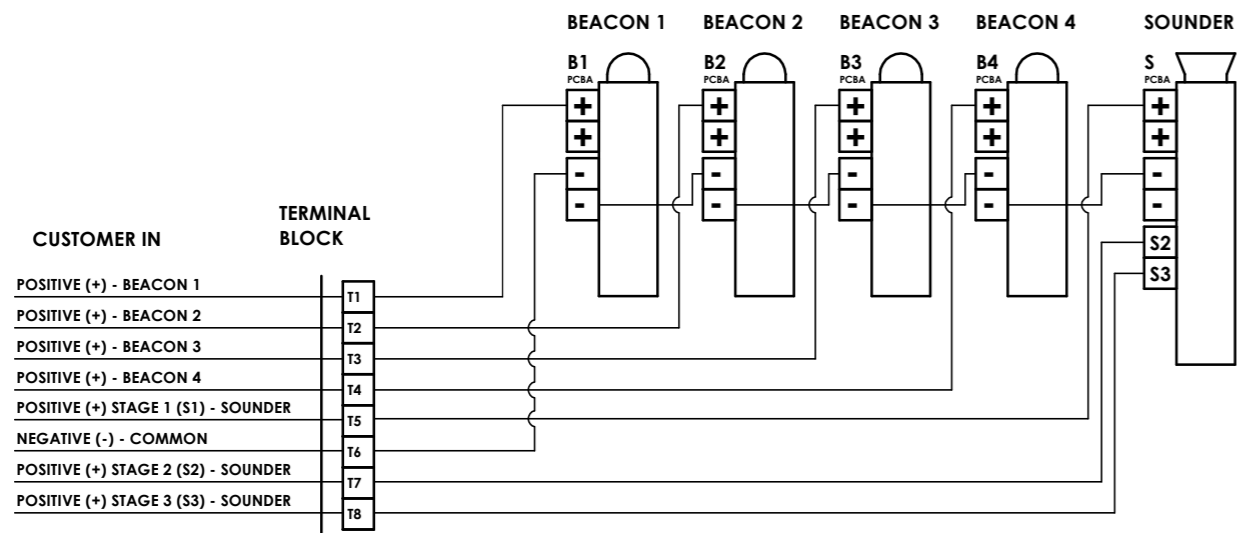
ISSUE	MOD No.	REASON - INITIAL - DATE
2		TB 8 TERMINALS WAS 6 ; BEACON 1 CONNECTED TO TB. DAH - 24-02-2020
3		DC WAS -VE STAGE SWITCHING NOW +VE. SOUNDER TNALS UPDATED TO NEW PCBA. DAH - 22-09-2021
4		CONFIGS 1-6 ADDED ; SHT 2, 3 ADDED DAH - 20-04-2023

CONFIG. 1 (DEFAULT)

DC VOLTAGE SUPPLY
 COMMON NEGATIVE CONNECTION TO ALL SIGNALS
 POSITIVE STAGE SWITCHING FOR ALARM HORN SOUNDER

CONFIG. 3

DC VOLTAGE SUPPLY
 COMMON NEGATIVE CONNECTION TO ALL SIGNALS
 NEGATIVE STAGE SWITCHING FOR ALARM HORN SOUNDER



DRAWING TO BS8888:2000
 GEOMETRIC TOLERANCES TO ISO1101:1983
 LINEAR DIMENSIONAL TOLS
 ANGULAR DIMENSIONAL TOLS

DRAWN	DATE
D.HOWGILL	15-08-2019
CHECKED	DATE
R.N.POTTS	15-08-2019
APPROVED	DATE
R.N.POTTS	15-08-2019

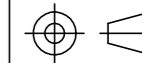
SURFACE FINISH	WEIGHT (kg)
FINISH	
MATERIAL	
ALTERNATIVE MATERIAL	

THIS DRAWING AND ANY INFORMATION OR DESCRIPTIVE MATTER THEREIN IS COMMUNICATED IN CONFIDENCE AND IS THE COPYRIGHT PROPERTY OF EUROPEAN SAFETY SYSTEMS LTD. NEITHER THE WHOLE OR ANY EXTRACT MAY BE DISCLOSED, LOANED, COPIED OR USED FOR MANUFACTURING OR TENDERING PURPOSES WITHOUT THEIR WRITTEN CONSENT.

EUROPEAN SAFETY SYSTEMS LTD.
 AS PER LATEST DATE OF ISSUE SHOWN ABOVE

e2s
 warning signals
 EUROPEAN SAFETY SYSTEMS LTD
 IMPRESS HOUSE
 MANSELL ROAD
 ACTON
 LONDON W3 7QH
 WWW.E2S.COM

ALL DIMENSIONS IN MM
 IF IN DOUBT, ASK -
 DO NOT SCALE



A2

TITLE **D1xC3 STACK - 4 BEACONS & ALARM HORN WIRING SCHEMATIC**

SCALE	SHEET	DRAWING NUMBER
NTS	1 OF 2	D226-06-155

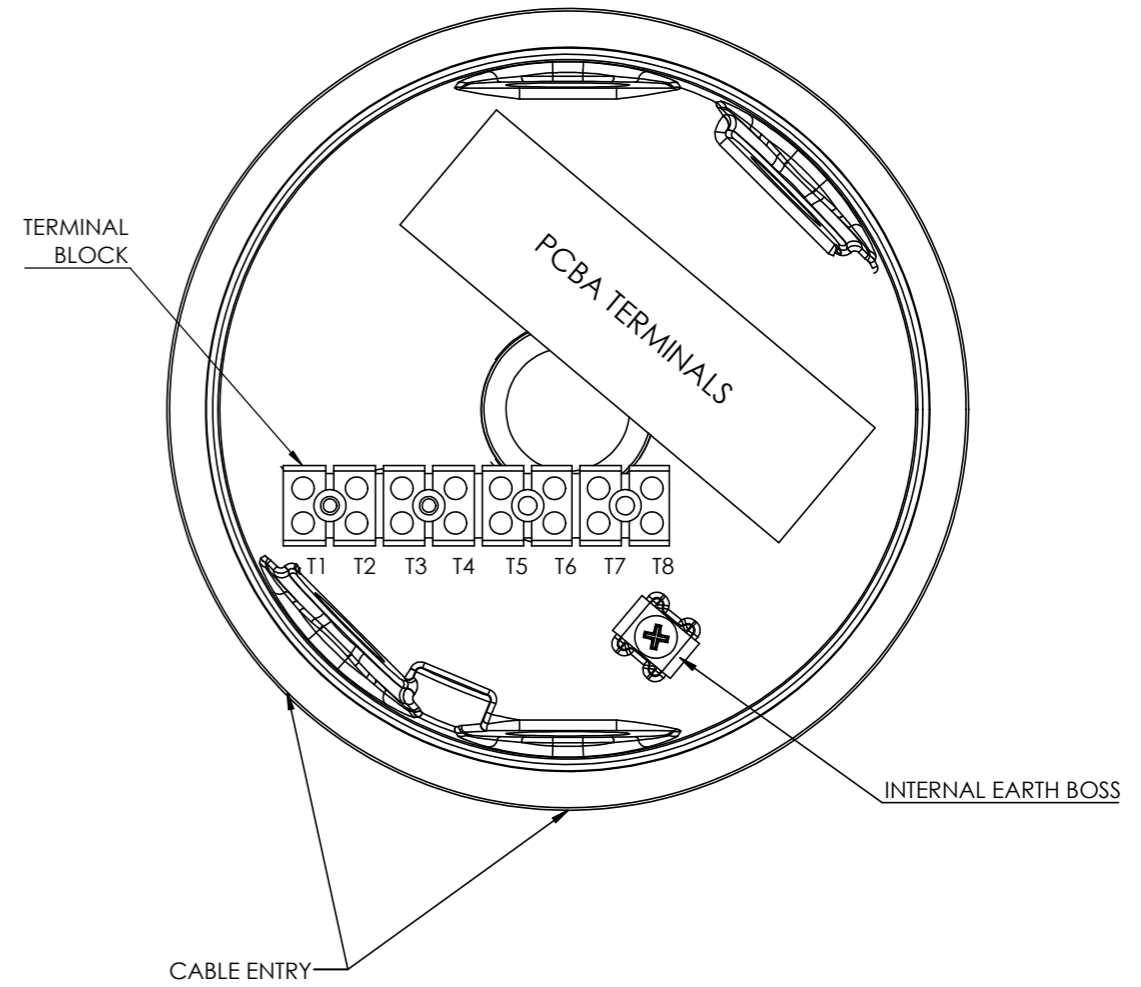
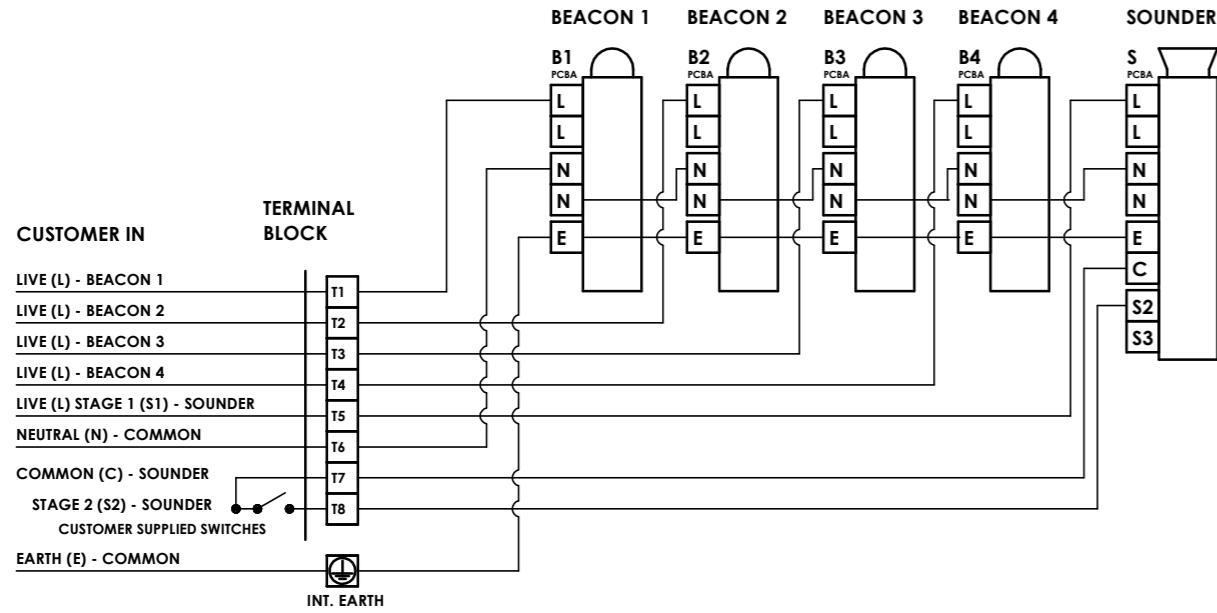
AC CONFIGURATIONS

ISSUE	MOD No.	REASON - INITIAL - DATE
2		SEE SH1
3		SEE SH1
4		SEE SH1

CONFIG. 1 (DEFAULT)

- AC VOLTAGE SUPPLY
- COMMON NEUTRAL CONNECTION TO ALL SIGNALS
- COMMON STAGE SWITCHING FOR ALARM HORN SOUNDER

ENTRY TERMINALS



DRAWING TO BS8888:2000 GEOMETRIC TOLERANCES TO ISO1101:1983 LINEAR DIMENSIONAL TOLS ANGULAR DIMENSIONAL TOLS	DRAWN D.HOWGILL	DATE 15-08-2019	SURFACE FINISH FINISH	WEIGHT (kg)	THIS DRAWING AND ANY INFORMATION OR DESCRIPTIVE MATTER THEREIN IS COMMUNICATED IN CONFIDENCE AND IS THE COPYRIGHT PROPERTY OF EUROPEAN SAFETY SYSTEMS LTD. NEITHER THE WHOLE OR ANY EXTRACT MAY BE DISCLOSED, LOANED, COPIED OR USED FOR MANUFACTURING OR TENDERING PURPOSES WITHOUT THEIR WRITTEN CONSENT.	 EUROPEAN SAFETY SYSTEMS LTD IMPRESS HOUSE MANSELL ROAD ACTON LONDON W3 7QH WWW.E2S.COM	ALL DIMENSIONS IN MM IF IN DOUBT, ASK - DO NOT SCALE	 A2
	STANDARDS	CHECKED R.N.POTTS	DATE 15-08-2019	MATERIAL			TITLE D1xC3 STACK - 4 BEACONS & ALARM HORN WIRING SCHEMATIC SCALE NTS SHEET 2 OF 2 DRAWING NUMBER D226-06-155	
		APPROVED R.N.POTTS	DATE 15-08-2019	ALTERNATIVE MATERIAL			EUROPEAN SAFETY SYSTEMS LTD. AS PER LATEST DATE OF ISSUE SHOWN ABOVE	