

SIL2 RELAY MONITORING

E2S PART NO
D1x[C3][J2][XX][XXX]...[S]
PRODUCT VERSION 'S'

DESCRIPTION
D1xC3 STACK - BEACON & ALARM HORN
WITH JUNCTION BOX

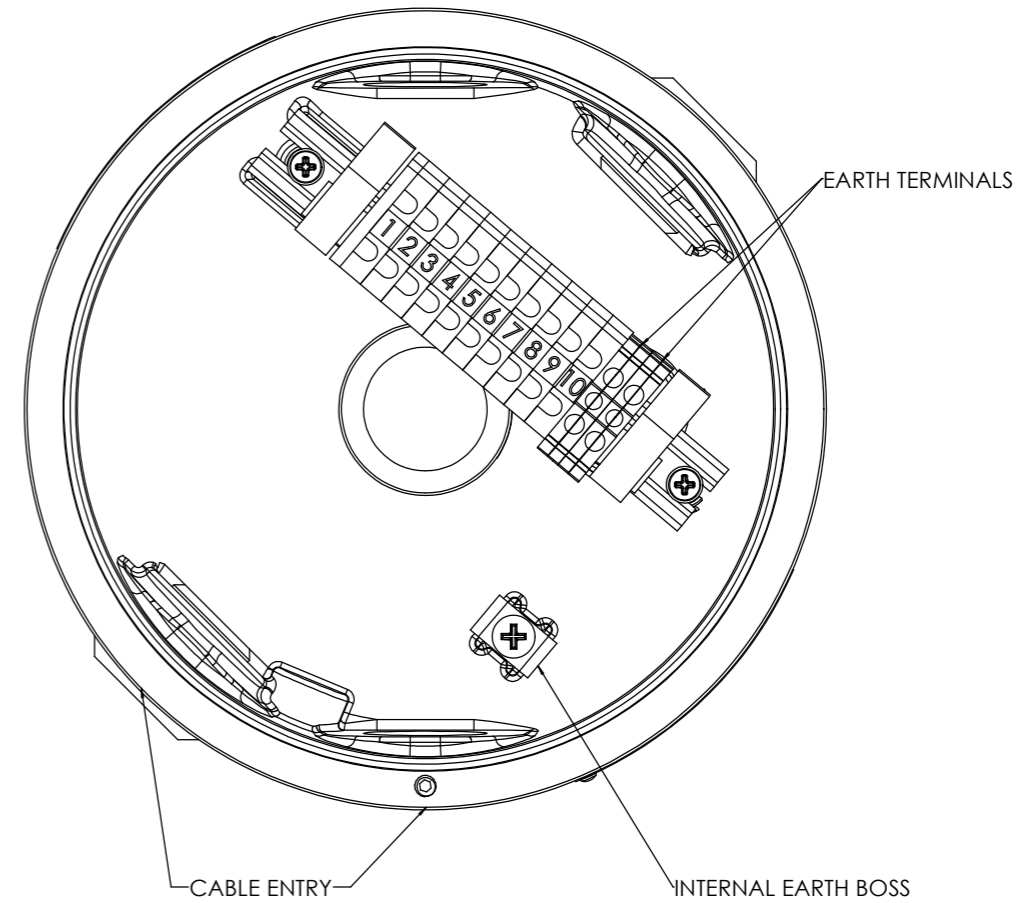
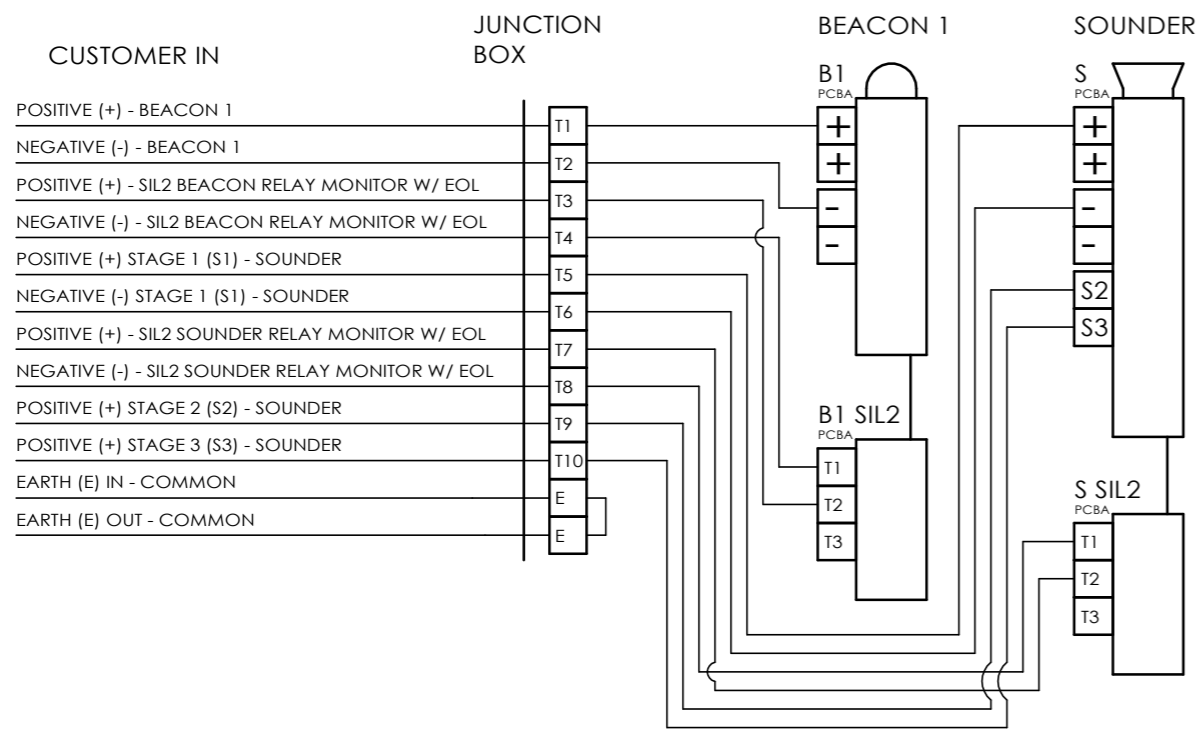
DATA REFERENCE
1-26-080

ISSUE	MOD No.	REASON - INITIAL - DATE
1		INTRO DAH 20-04-2023

CONFIG. 1

- DC VOLTAGE SUPPLY
- SIL 2 RELAY MONITORING (4-WIRE) WITH INDEPENDENT CONNECTIONS TO ALL SIGNALS
- POSITIVE STAGE SWITCHING FOR ALARM HORN SOUNDER

ENTRY TERMINALS



DRAWING TO BS8888:2000 GEOMETRIC TOLERANCES TO ISO1101:1983 LINEAR DIMENSIONAL TOLS ANGULAR DIMENSIONAL TOLS	DRAWN D.HOWGILL DATE 20-04-2023	SURFACE FINISH FINISH	WEIGHT (kg)	THIS DRAWING AND ANY INFORMATION OR DESCRIPTIVE MATTER THEREIN IS COMMUNICATED IN CONFIDENCE AND IS THE COPYRIGHT PROPERTY OF EUROPEAN SAFETY SYSTEMS LTD. NEITHER THE WHOLE OR ANY EXTRACT MAY BE DISCLOSED, LOANED, COPIED OR USED FOR MANUFACTURING OR TENDERING PURPOSES WITHOUT THEIR WRITTEN CONSENT.	EUROPEAN SAFETY SYSTEMS LTD IMPRESS HOUSE MANSELL ROAD ACTON LONDON W3 7QH WWW.E2S.COM	ALL DIMENSIONS IN MM IF IN DOUBT, ASK - DO NOT SCALE	A2
	CHECKED R.N.POTTS DATE 20-04-2023	MATERIAL	TITLE D1xC3 STACK - BEACON & ALARM HORN WITH J'BOX SCHEMATIC - SIL2 RELAY				
	APPROVED R.N.POTTS DATE 20-04-2023	ALTERNATIVE MATERIAL	SCALE NTS SHEET 1 OF 1 DRAWING NUMBER D226-06-628				