

# DC CONFIGURATIONS

**E2S PART NO**  
D1x[P2][N2][XX][XX]

**DESCRIPTION**  
D1xP2 STACK - 2 BEACONS

**DATA REFERENCE**  
1-26-070

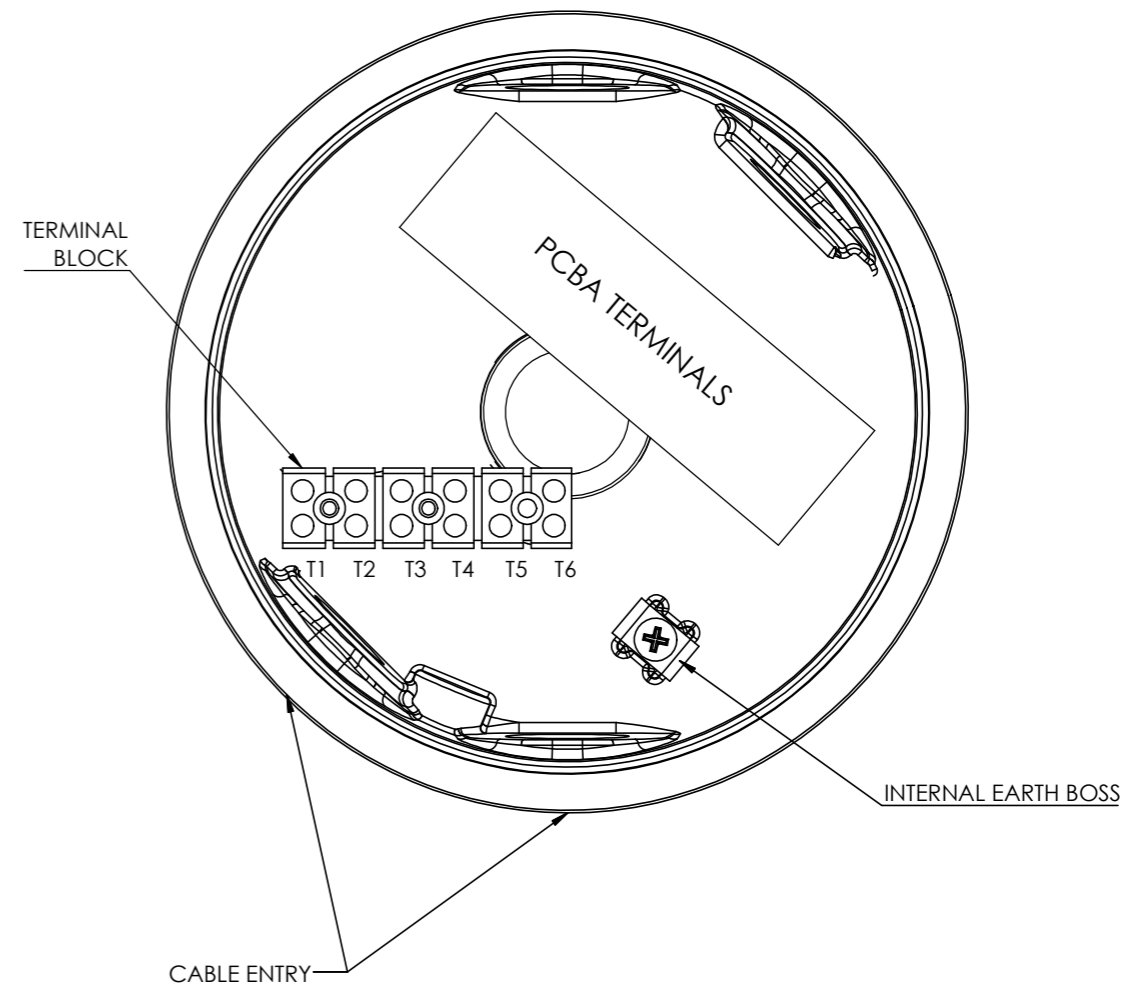
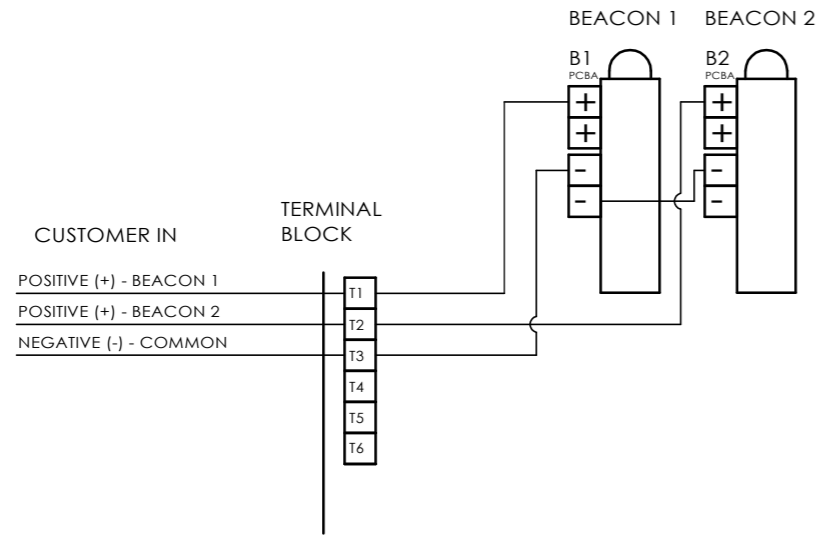
Note: Alternative wiring configurations may be available on request - contact E2S sales

ISSUE	MOD No.	REASON - INITIAL - DATE
1		INTRODUCTION DAH - 15-08-2019
2		TB 8 TERMINALS WAS 6 ; BEACON 1 CONNECTED TO TB. DAH - 24-02-2020
3		CONFIG 1 - 2 ADDED. SH2 ADDED DAH - 20-04-2023

## CONFIG. 1 (DEFAULT)

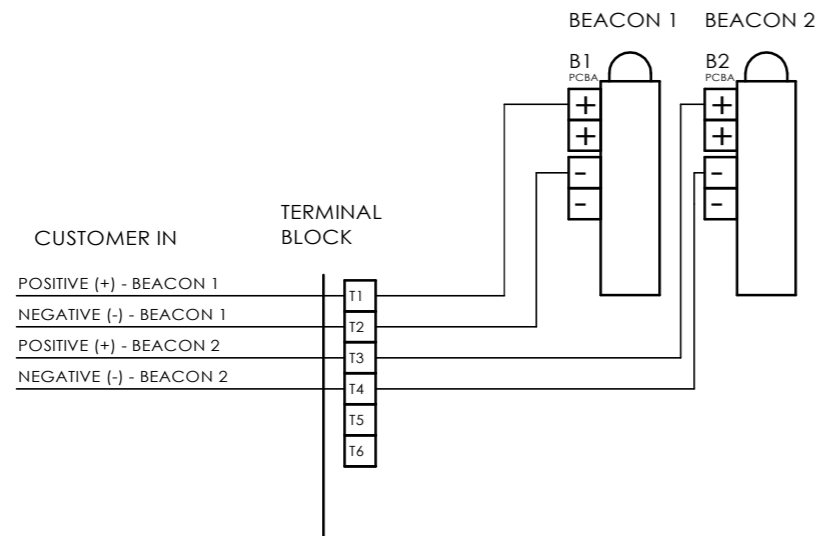
DC VOLTAGE SUPPLY  
COMMON NEGATIVE CONNECTION TO ALL SIGNALS

## ENTRY TERMINALS



## CONFIG. 2

DC VOLTAGE SUPPLY  
INDEPENDENT CONNECTIONS TO ALL SIGNALS



DRAWING TO BS8888:2000  
GEOMETRIC TOLERANCES TO ISO1101:1983  
LINEAR DIMENSIONAL TOLS  
ANGULAR DIMENSIONAL TOLS

DRAWN	DATE
D.HOWGILL	15-08-2019
CHECKED	DATE
R.N.POTTS	15-08-2019
APPROVED	DATE
R.N.POTTS	15-08-2019

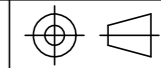
SURFACE FINISH	WEIGHT (kg)
FINISH	
MATERIAL	
ALTERNATIVE MATERIAL	

THIS DRAWING AND ANY INFORMATION OR DESCRIPTIVE MATTER THEREIN IS COMMUNICATED IN CONFIDENCE AND IS THE COPYRIGHT PROPERTY OF EUROPEAN SAFETY SYSTEMS LTD. NEITHER THE WHOLE OR ANY EXTRACT MAY BE DISCLOSED, LOANED, COPIED OR USED FOR MANUFACTURING OR TENDERING PURPOSES WITHOUT THEIR WRITTEN CONSENT.

EUROPEAN SAFETY SYSTEMS LTD.  
AS PER LATEST DATE OF ISSUE SHOWN ABOVE

**e2s**  
warning signals  
EUROPEAN SAFETY SYSTEMS LTD  
IMPRESS HOUSE  
MANSELL ROAD  
ACTON  
LONDON W3 7QH  
WWW.E2S.COM

ALL DIMENSIONS IN MM  
IF IN DOUBT, ASK -  
DO NOT SCALE



**A2**

TITLE D1xP2 STACK - 2 BEACONS  
WIRING SCHEMATIC

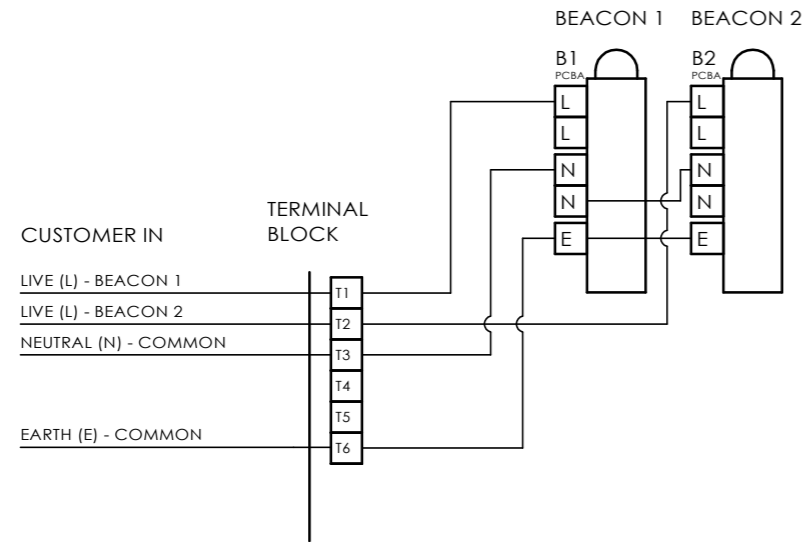
SCALE	SHEET	DRAWING NUMBER
NTS	1 OF 2	D226-06-120

# AC CONFIGURATIONS

ISSUE	MOD No.	REASON - INITIAL - DATE
1		SEE SH1
2		SEE SH1
3		SEE SH1

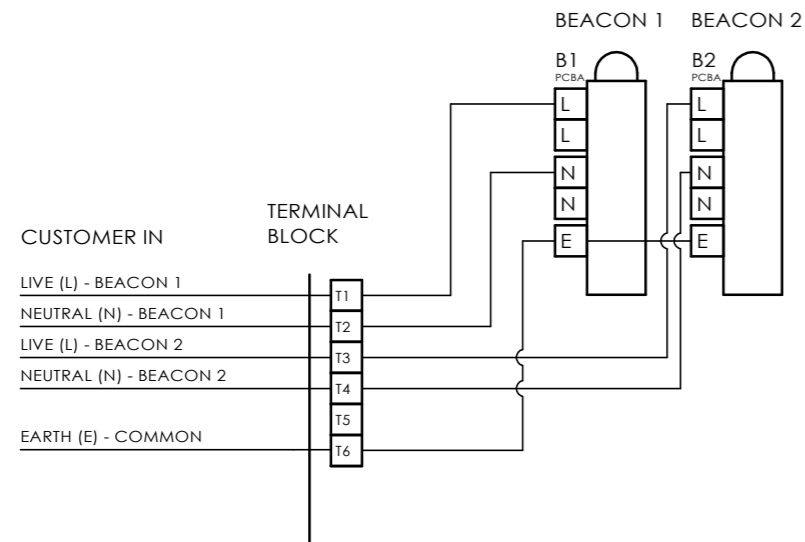
## CONFIG. 1 (DEFAULT)

AC VOLTAGE SUPPLY  
COMMON NEUTRAL CONNECTION TO ALL SIGNALS



## CONFIG. 2

AC VOLTAGE SUPPLY  
INDEPENDENT CONNECTIONS TO ALL SIGNALS



DRAWING TO BS8888:2000 GEOMETRIC TOLERANCES TO ISO1101:1983 LINEAR DIMENSIONAL TOLS ANGULAR DIMENSIONAL TOLS	DRAWN D.HOWGILL DATE 15-08-2019	SURFACE FINISH FINISH	WEIGHT (kg)
STANDARDS	CHECKED R.N.POTTS DATE 15-08-2019	MATERIAL	
	APPROVED R.N.POTTS DATE 15-08-2019	ALTERNATIVE MATERIAL	

THIS DRAWING AND ANY INFORMATION OR DESCRIPTIVE MATTER THEREIN IS COMMUNICATED IN CONFIDENCE AND IS THE COPYRIGHT PROPERTY OF EUROPEAN SAFETY SYSTEMS LTD. NEITHER THE WHOLE OR ANY EXTRACT MAY BE DISCLOSED, LOANED, COPIED OR USED FOR MANUFACTURING OR TENDERING PURPOSES WITHOUT THEIR WRITTEN CONSENT.	
EUROPEAN SAFETY SYSTEMS LTD. AS PER LATEST DATE OF ISSUE SHOWN ABOVE	

EUROPEAN SAFETY SYSTEMS LTD.  
IMPRESS HOUSE  
MANSELL ROAD  
ACTON  
LONDON W3 7QH  
WWW.ESS.COM

ALL DIMENSIONS IN MM  
IF IN DOUBT, ASK -  
DO NOT SCALE

TITLE D1xP2 STACK - 2 BEACONS WIRING SCHEMATIC		A2	
SCALE NTS	SHEET 2 OF 2	DRAWING NUMBER D226-06-120	