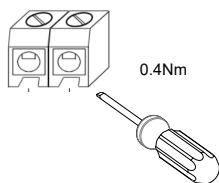
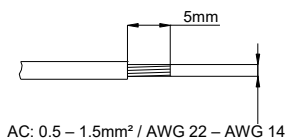
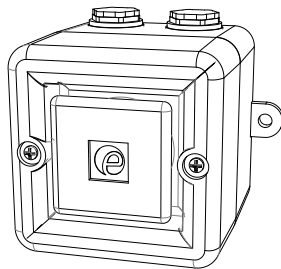


# INSTRUCTION & SERVICE MANUAL

## A100SONTEL Telephone Initiated Alarm Sounder

- -25°C to +55C (-13°F to 131°F)
- 0.26Kg (0.57lb)
- CE & UKCA
- GOST-R approved. Cert: POCC GB-JB05-H00144
- Nominal output: 100dB(A) @ 1m +/- 3dB [91dB(A) @ 10ft/3m] No. of tones: 3
- Volume control: Max. 100dB(A); Min. 90dB(A)
- Effective range: 32m/105ft @ 1KHz
- Supply: Direct power from telephone line (REN 1)
- Ingress protection: IP66



Attention: Installation must be carried out by an electrician in compliance with the latest codes and regulations.

Attention: L'installation doit être effectuée par un électricien conformément aux derniers codes et réglementations.

Achtung: Die Installation muss von einem Elektriker gemäß den neuesten Vorschriften und Bestimmungen durchgeführt werden.

Attenzione: L'installazione deve essere eseguita da un elettricista in conformità con i codici e le normative più recenti.

Atención: La instalación debe ser realizada por un electricista de acuerdo con los últimos códigos y regulaciones.

Atenção: A instalação deve ser realizada por um eletricista de acordo com os códigos e regulamentos mais recentes.

Внимание: установка должна выполняться электриком в соответствии с последними нормами и правилами.

Attention: Disconnect from power source before installation or service to prevent electric shock

Attention: Débranchez-le de la source d'alimentation avant l'installation ou l'entretien pour éviter tout choc électrique.

Achtung: Vor Installation oder Wartung von der Stromquelle trennen, um einen Stromschlag zu vermeiden.

Attenzione: scollegare dall'alimentazione prima dell'installazione o dell'assistenza per evitare scosse elettriche.

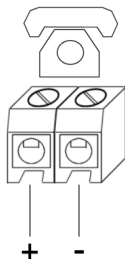
Atención: desconéctelo de la fuente de alimentación antes de la instalación o el servicio para evitar descargas eléctricas.

Atenção: Desconecte da fonte de alimentação antes da instalação ou serviço para evitar choque elétrico

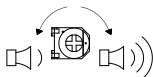
Внимание: отключите от источника питания перед установкой или обслуживанием, чтобы предотвратить поражение электрическим током.



(See D247-06-001)



### VOLUME CONTROL

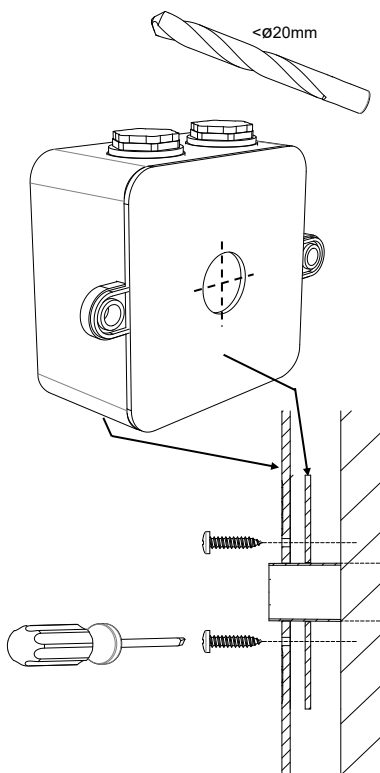
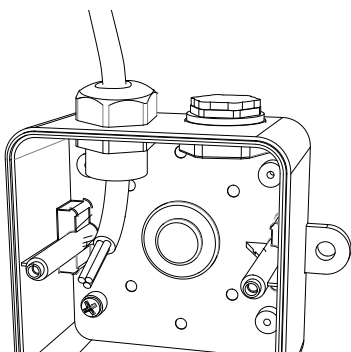
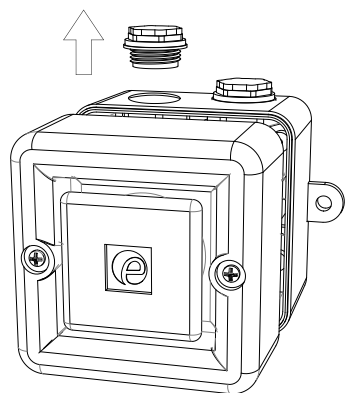
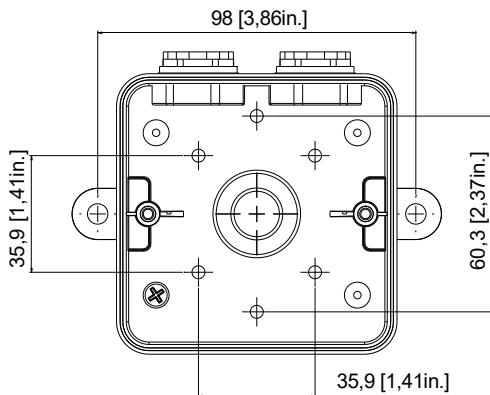
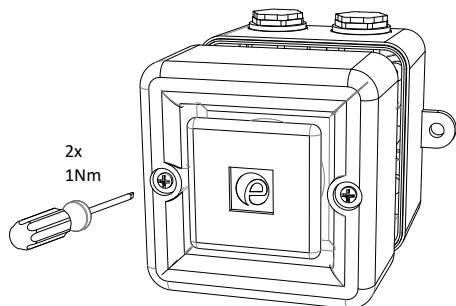


### tone table

| Tone   | Description      |   |          |
|--------|------------------|---|----------|
| Tone 1 | Siren Tone       |  | 108dB(A) |
| Tone 2 | Alternating tone |  | 104dB(A) |
| Tone 3 | Sw eeping tone   |  | 106dB(A) |

dB(A) output figures: +/-3dB(A)

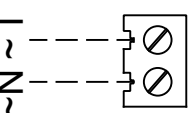
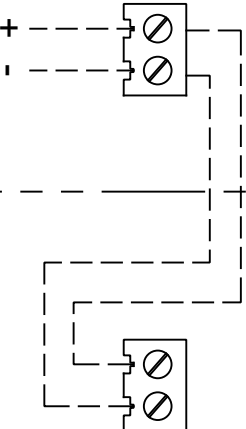
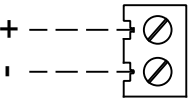
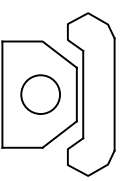
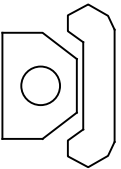
INSTRUCTION & SERVICE MANUAL  
A100SONTEL Telephone Initiated Alarm Sounder



|       |         |                                |
|-------|---------|--------------------------------|
| ISSUE | MOD No. | REASON - INITIAL - DATE        |
| A     |         | INTRODUCTION<br>JS- 30/06/2021 |

A100/ A105 SONTEL

AL 100/ AL 105 SONTELFASH



230Vac +/-10%



DRAWING TO BS8988:2000  
GEOMETRIC TOLERANCES TO ISO1101:1983  
LINEAR DIMENSIONAL TOLS  
ANGULAR DIMENSIONAL TOLS

DRAWN  
**J. SPILLER**  
DATE  
30/06/2021

SURFACE FINISH  
WEIGHT (kg)

CHECKED  
**B.ISARD**  
DATE  
30/06/2021

MATERIAL

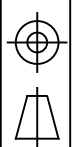
APPROVED  
**R.N.POTTS**  
DATE  
30/06/2021

ALTERNATIVE MATERIAL

THIS DRAWING AND ANY INFORMATION OR DESCRIPTIVE  
MATTER THEREIN IS COMMUNICATED IN CONFIDENCE AND  
MAY BE USED IN WHOLE OR IN PART BY THE BUYER  
SYSTEMS FOR THE WHOLE OR ANY PART THEREOF  
BE DISCLOSED, LOANED, COPIED OR USED FOR  
MANUFACTURING OR TENDERING PURPOSES WITHOUT THEIR  
WRITTEN CONSENT.  
EUROPEAN SAFETY SYSTEMS LTD  
AS PER LATEST DATE OF ISSUE SHOWN ABOVE

EUROPEAN SAFETY SYSTEMS LTD  
WIPRESS HOUSE  
MARKET ACTON  
LONDON W9 7QH  
WWW.E2S.COM

ALL DIMENSIONS IN MM  
IF IN DOUBT, ASK -  
DO NOT SCALE



**A3**

TITLE  
**A100/AL 100/A105/AL 105 SONTEL /  
FLASHTEL WIRING SCHEMATIC**

SCALE  
**NTS**

SHEET  
**1 OF 1**

DRAWING NUMBER  
**D247-06-001**