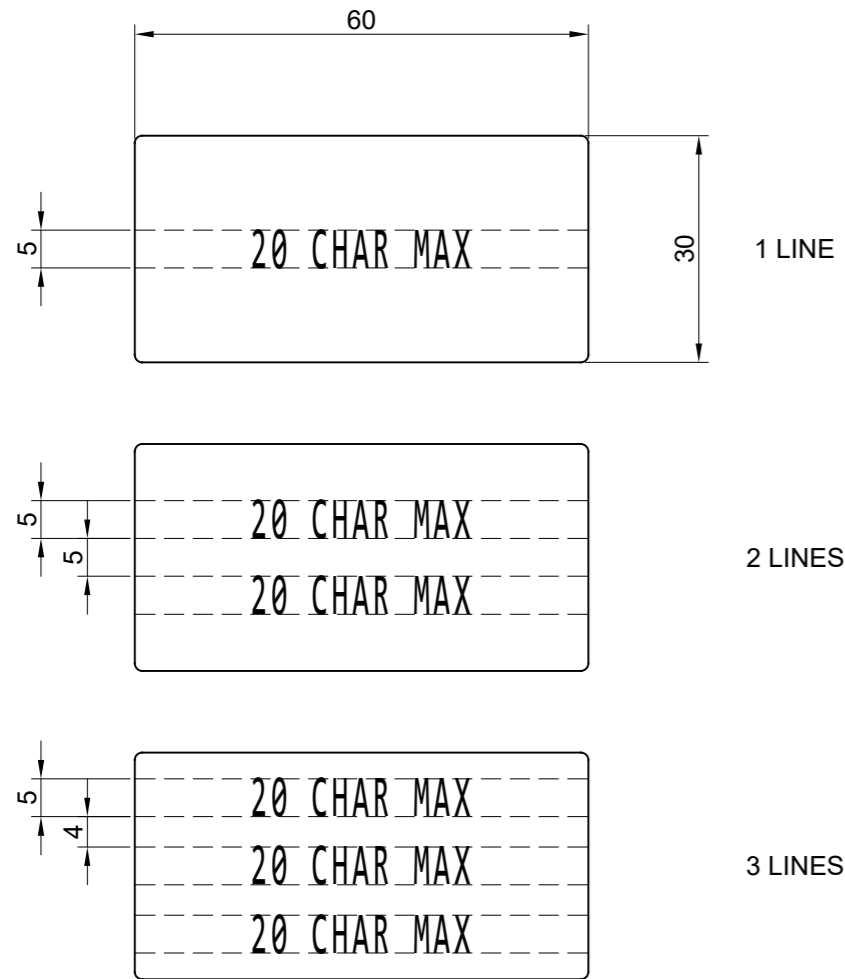


# TAG DIMENSIONS



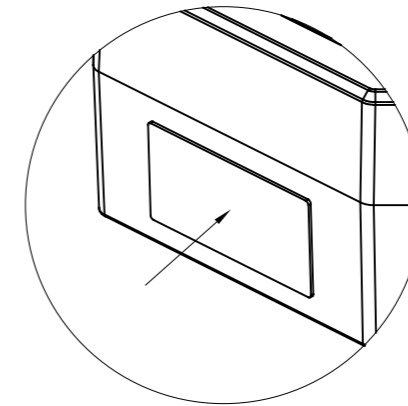
# TAG SPECIFICATIONS

ISSUE	MOD No.	INITIAL/DATE
1		INTRODUCTION DH 22-03-23

**FONT:** CONSOLAS  
**METHOD OF MARKING:** LASER ETCHED WITH BLACK TEXT  
**PLATE MATERIAL:** GRADE 316 STAINLESS STEEL  
**ATTACHMENT:** PERMANENT EPOXY ADHESIVE  
**POSITION:** SEE DIAGRAMS BELOW

# TAG POSITION

**GNExCP6 MANUAL CALL POINTS**  
 BONDED TO SIDE OF ENCLOSURE BASE  
 (IF BLANK, SUPPLIED LOOSE IN PRODUCT CARTON)



NOTE: CHARACTER LIMIT INCLUDES SPACES

DRAWING TO BS8888:2000  
 GEOMETRIC TOLERANCES TO ISO1101:1983  
 LINEAR DIMENSIONAL TOLS +/-0.35mm  
 ANGULAR DIMENSIONAL TOLS +/-2 deg

DRAWN	DATE	22-03-23
<b>D.HOWGILL</b>		
CHECKED	DATE	22-03-23
<b>R.N.POTTS</b>		
APPROVED	DATE	22-03-23
<b>R.N.POTTS</b>		

SURFACE FINISH	WEIGHT (Kg)
MATERIAL	<b>SEE NOTE</b>
ALTERNATIVE MATERIAL	

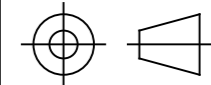
THIS DRAWING AND ANY INFORMATION OR DESCRIPTIVE MATTER  
 THEREIN IS COMMUNICATED IN CONFIDENCE AND IS THE  
 COPYRIGHT PROPERTY OF EUROPEAN SAFETY SYSTEMS LTD.  
 NEITHER THE WHOLE OR ANY EXTRACT MAY BE DISCLOSED,  
 LOANED, COPIED OR USED FOR MANUFACTURING OR TENDERING  
 PURPOSES WITHOUT THEIR WRITTEN CONSENT.

© EUROPEAN SAFETY SYSTEMS LTD.  
 AS PER LATEST DATE OF ISSUE SHOWN ABOVE



EUROPEAN SAFETY SYSTEMS LTD  
 IMPRESS HOUSE  
 MANSELL ROAD  
 ACTON  
 LONDON W3 7QH  
 WWW.E2S.COM

ALL DIMENSIONS IN MM  
 IF IN DOUBT, ASK -  
 DO NOT SCALE



**TITLE TAG PLATE SPECIFICATION DRAWING**  
**GNEXCP6 CALL POINTS**

SCALE	SHEET	DRAWING NUMBER
1:1	1 of 1	<b>D254-00-121</b>